



Chipsmall Limited consists of a professional team with an average of over 10 year of expertise in the distribution of electronic components. Based in Hongkong, we have already established firm and mutual-benefit business relationships with customers from,Europe,America and south Asia,supplying obsolete and hard-to-find components to meet their specific needs.

With the principle of “Quality Parts,Customers Priority,Honest Operation,and Considerate Service”,our business mainly focus on the distribution of electronic components. Line cards we deal with include Microchip,ALPS,ROHM,Xilinx,Pulse,ON,Everlight and Freescale. Main products comprise IC,Modules,Potentiometer,IC Socket,Relay,Connector.Our parts cover such applications as commercial,industrial, and automotives areas.

We are looking forward to setting up business relationship with you and hope to provide you with the best service and solution. Let us make a better world for our industry!



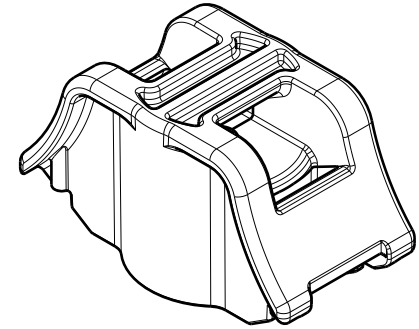
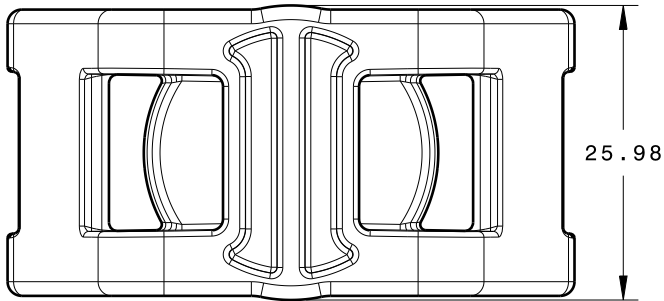
Contact us

Tel: +86-755-8981 8866 Fax: +86-755-8427 6832

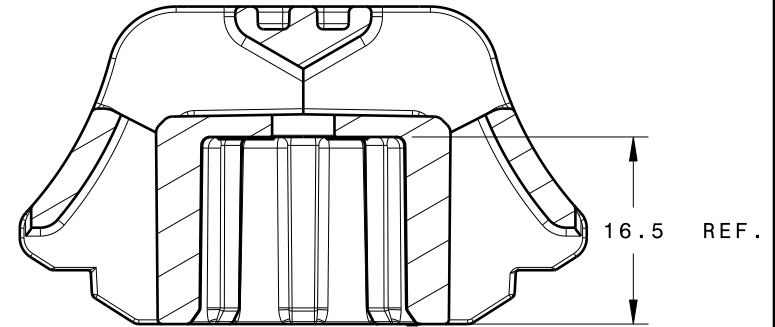
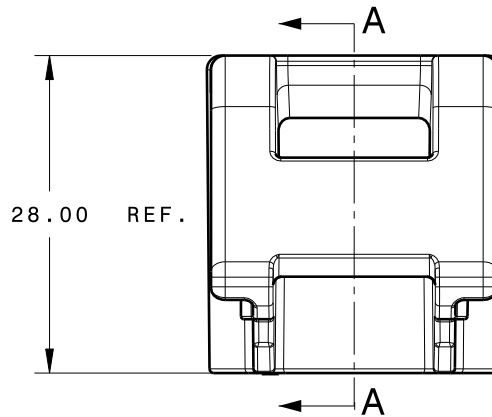
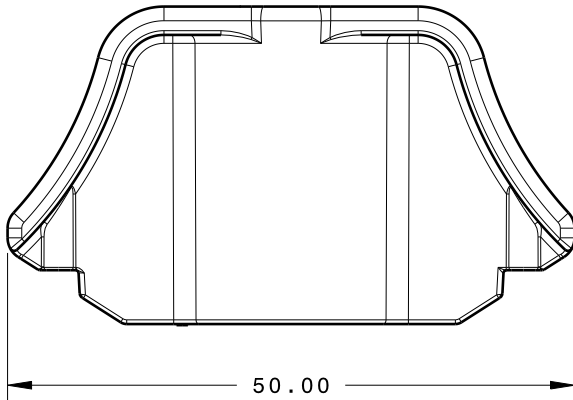
Email & Skype: info@chipsmall.com Web: www.chipsmall.com

Address: A1208, Overseas Decoration Building, #122 Zhenhua RD., Futian, Shenzhen, China

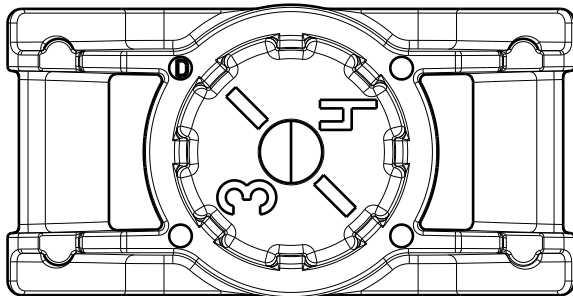




Isometric view
Scale: 1:1



Section view A-A



INVENTORS

HellermannTyton[®]

ALL PROPRIETARY RIGHTS IN THE SUBJECT MATTER SHOWN ON THIS DRAWING ARE EXCLUSIVE PROPERTY OF HELLERMANN TYTON

name	date	city, state
SCOTT ADAMS	10/12/09	MENOMONEE FALLS, WI

REVISIONS

DRAWN by	level	DATE	ECN #	part level
SJA	05	3/31/10	011484	D

DIMENSIONS

TOOL PREPARATION	.XXXX = ± 0.250
	.XXX = ± 0.50
	.XX = ± 1.00
	.X = ± 2.00
	∠ = ± 1.00
	unless otherwise specified
units	millimeters

PART

number	phase
HM7	PRODUCTION
name	
3/4" SPIN-ON ON H-MOUNT	
material	
NYLON 6/6, IMPACT MODIFIED, HEAT STABILIZED, UV STABILIZED COLOR: BLACK	

DRAWING

FORMAT	AH	CAD	CATIA V5	SCALE	3:2
VERSION	J				
A- SIZE (landscape)_N01		previous drawing number			
drawn	checked	approved			
S. ADAMS	J. PASSILLA				
10/12/09	2/4/10				
type		sheet 1 of 1			
CUSTOMER					
number MT09-0354-013CST					