



Chipsmall Limited consists of a professional team with an average of over 10 year of expertise in the distribution of electronic components. Based in Hongkong, we have already established firm and mutual-benefit business relationships with customers from,Europe,America and south Asia,supplying obsolete and hard-to-find components to meet their specific needs.

With the principle of “Quality Parts,Customers Priority,Honest Operation,and Considerate Service”,our business mainly focus on the distribution of electronic components. Line cards we deal with include Microchip,ALPS,ROHM,Xilinx,Pulse,ON,Everlight and Freescale. Main products comprise IC,Modules,Potentiometer,IC Socket,Relay,Connector.Our parts cover such applications as commercial,industrial, and automotives areas.

We are looking forward to setting up business relationship with you and hope to provide you with the best service and solution. Let us make a better world for our industry!



Contact us

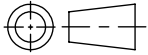
Tel: +86-755-8981 8866 Fax: +86-755-8427 6832

Email & Skype: info@chipsmall.com Web: www.chipsmall.com

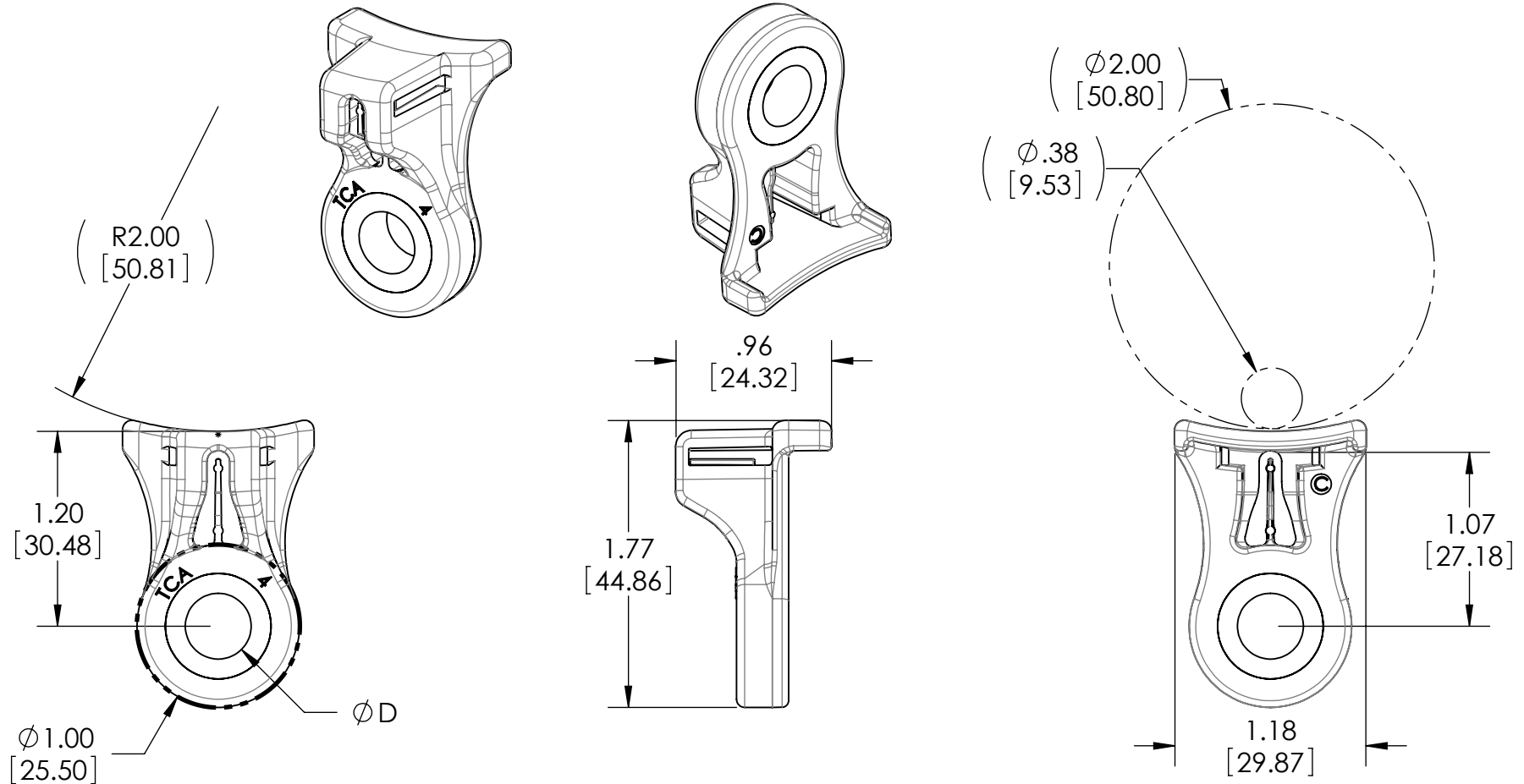
Address: A1208, Overseas Decoration Building, #122 Zhenhua RD., Futian, Shenzhen, China



SW2011



Revision level		Revision Record	Changed	Date	Approved	Date
Drawing	Part					
03		SEE ECN# 012340	WPT	09/12/2011	CJR	04/11/2013



Material
PA66HIRHSUV

- FEATURES:
 1. METAL BUSHING WITHSTANDS 114 lb-ft (155 N-m) OF TORQUE APPLIED TO FASTENER
 2. 200 lb LOAD ASSEMBLY STRENGTH PERPENDICULAR TO BOLT AXIS

PART NUMBER	PART REV	Ø D	BOLT SIZE
SAM320B	C	0.327 [8.31MM]	5/16" & 8MM
SAM400B	C	0.405 [10.29MM]	3/8" & 10MM
SAM500B	C	0.51 [12.95MM]	1/2" & 12MM

Units inches

Dimension without tolerances details to:

- .xxxx = ± .005
- .xxx = ± .01
- .xx = ± .02
- .x = ± .1
- None = ± .06
- ∠ = ± 0.5°

The copyright of this drawing is reserved by HellermannTyton. It is issued on condition that it is not reproduced, copied, or disclosed to a third party, either wholly or in part, without the consent of HellermannTyton.

Drawn	WPT	05/16/2011
Approved	WPT	07/08/2012
HellermannTyton		
North America Email: corp@htamericas.com Web: www.hellermann.tyton.com		

Article/Type-No	SEE TABLE	Scale	1:1
Title	Axial Mount with Metal Bushing		Project Number
			PRP10-0840
Drawing-No	Production : Phase	Format	AH
		Sheet	1/1
10-0840-008-CSU			