



Chipsmall Limited consists of a professional team with an average of over 10 year of expertise in the distribution of electronic components. Based in Hongkong, we have already established firm and mutual-benefit business relationships with customers from,Europe,America and south Asia,supplying obsolete and hard-to-find components to meet their specific needs.

With the principle of “Quality Parts,Customers Priority,Honest Operation,and Considerate Service”,our business mainly focus on the distribution of electronic components. Line cards we deal with include Microchip,ALPS,ROHM,Xilinx,Pulse,ON,Everlight and Freescale. Main products comprise IC,Modules,Potentiometer,IC Socket,Relay,Connector.Our parts cover such applications as commercial,industrial, and automotives areas.

We are looking forward to setting up business relationship with you and hope to provide you with the best service and solution. Let us make a better world for our industry!



Contact us

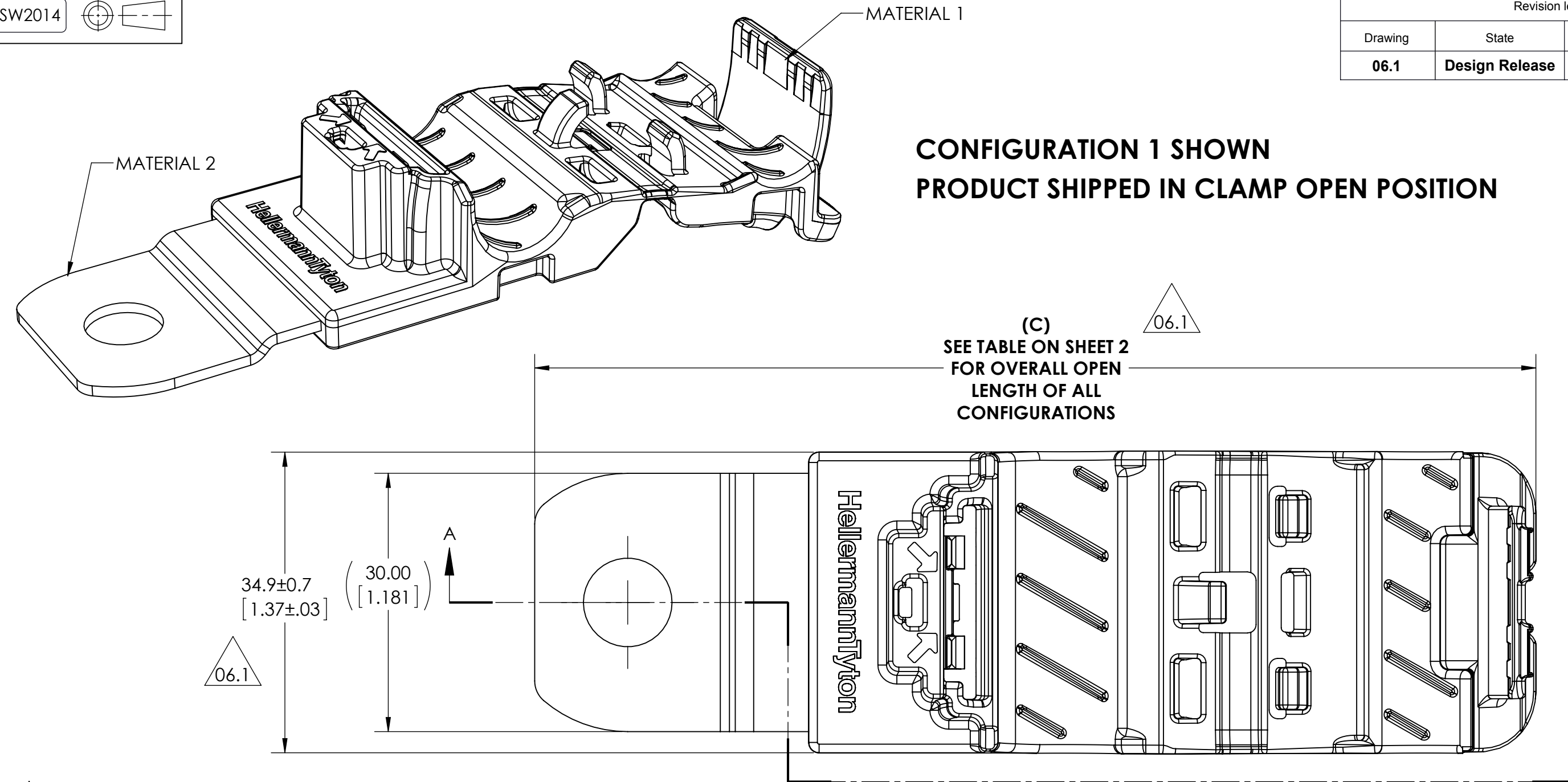
Tel: +86-755-8981 8866 Fax: +86-755-8427 6832

Email & Skype: info@chipsmall.com Web: www.chipsmall.com

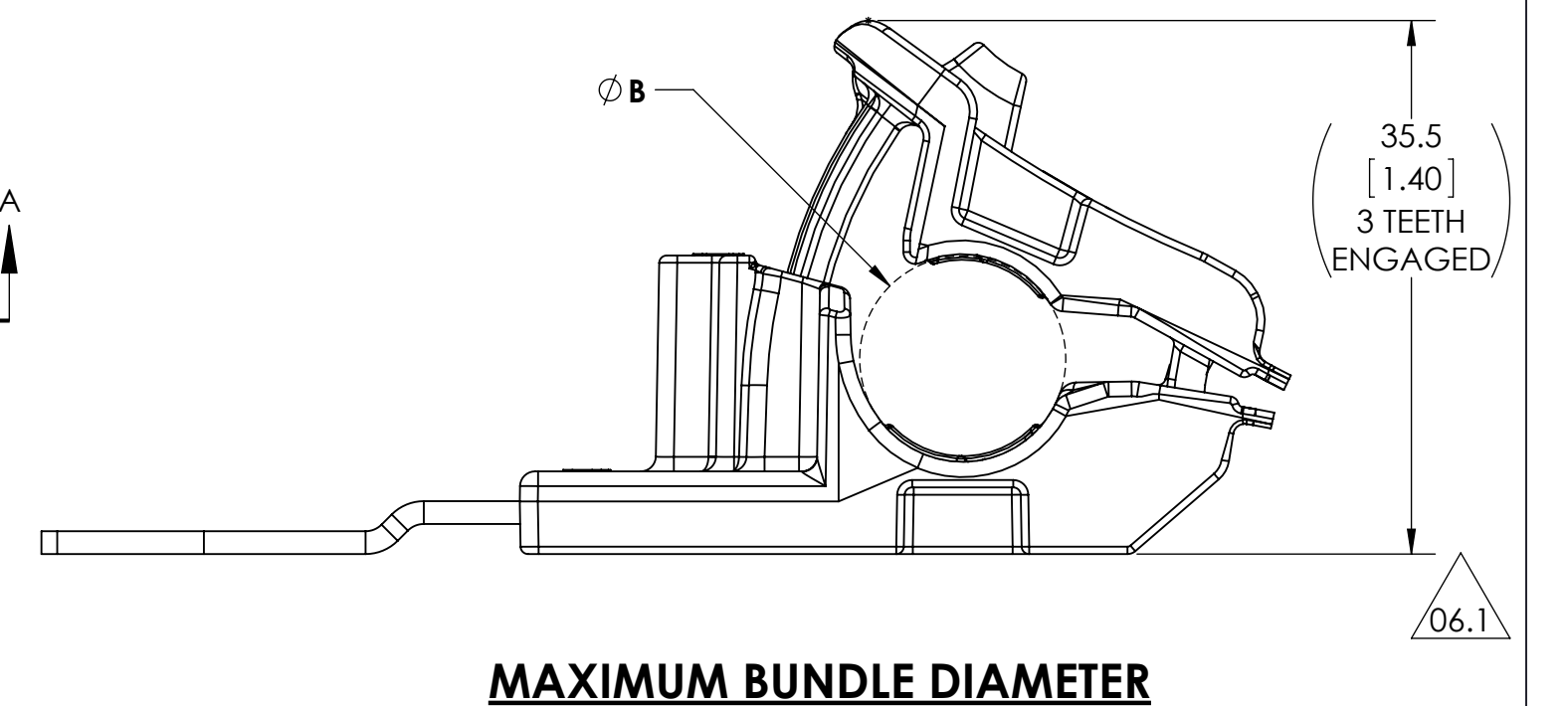
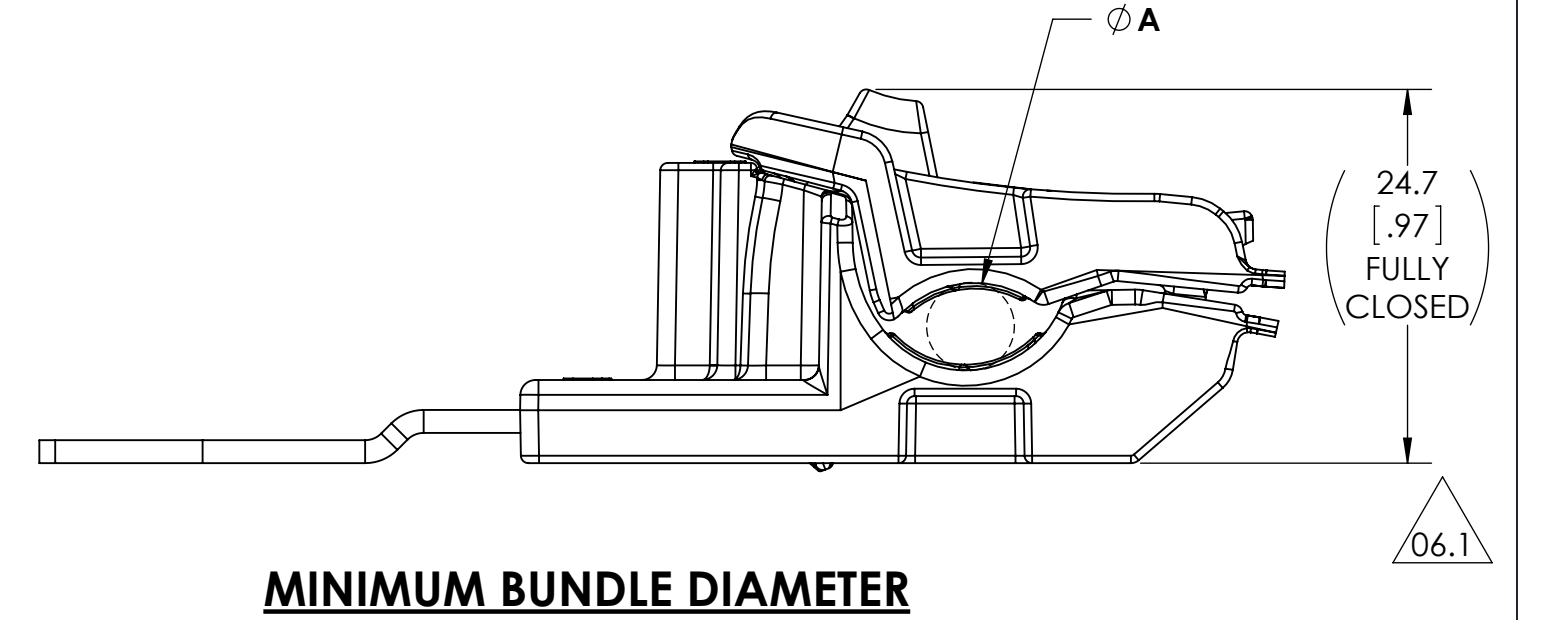
Address: A1208, Overseas Decoration Building, #122 Zhenhua RD., Futian, Shenzhen, China



Revision level			Revision Record	Changed	Date	Approved	Date
Drawing	State	Part					
06.1	Design Release	A	SEE ECN# 013325	MHT	3/25/2016	MHT	3/25/2016



**CONFIGURATION 1 SHOWN
PRODUCT SHIPPED IN CLAMP OPEN POSITION**



06.1

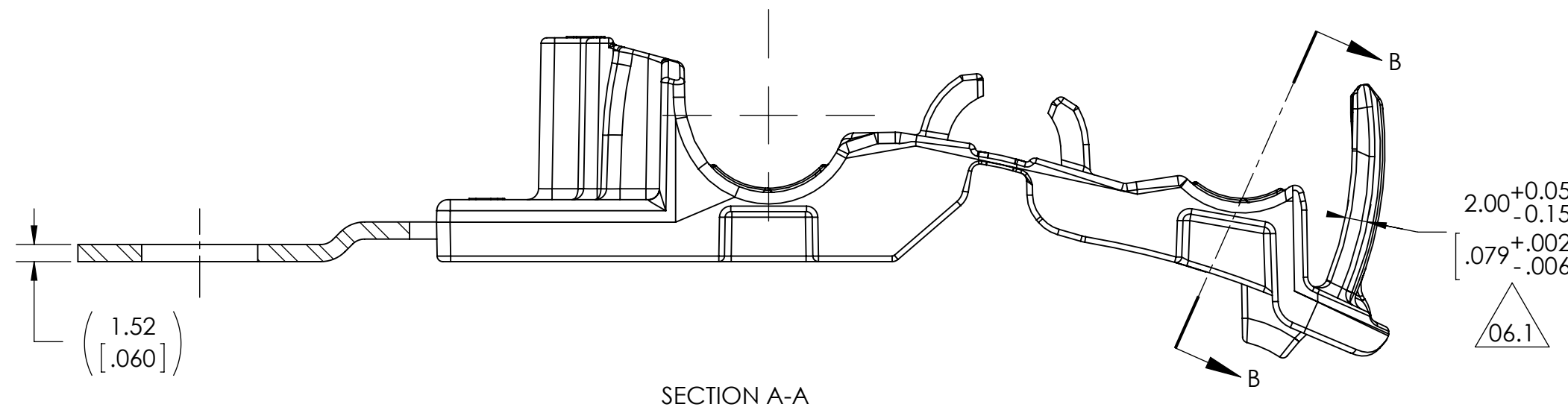
INITIAL MOLD VALIDATION:

1. ITS-0003 RATCHET P CLAMP SOLID MANDREL TEST: EXCEEDED 445 NEWTONS (100 LBS) MIN AT A NOMINAL BUNDLE DIAMETER OF 9.53 [0.375] TESTING ONLY REQUIRED OF CONFIGURATION *RCA180SM10, *RCA180LM10, AND *RCA90LM10 *TESTING CAN BE SUBSTITUTED WITH M6, M8, M12 VERSION MOUNTING HOLES

2. ITS-0008 CLOSE AND RELEASE TEST: EXCEEDED 445 NEWTONS (100 LBS) MIN AT A NOMINAL BUNDLE DIAMETER OF 9.53 [0.375] AFTER CLOSING AND RELEASING 40 TIMES

3. ITS-0014 LOW TEMPERATURE HINGE TEST: NO DAMAGE OCCURED AFTER BENDING LIVING HINGE 40 TIMES AT -40°C

NOTE: TESTING #2 AND #3 CAN BE DONE ON ANY TYPE NUMBER AND WILL APPLY TO ALL OTHER TYPE NUMBERS IN THE TABLE ON SHEET 2



06.1

PERFORMANCE REQUIREMENTS:

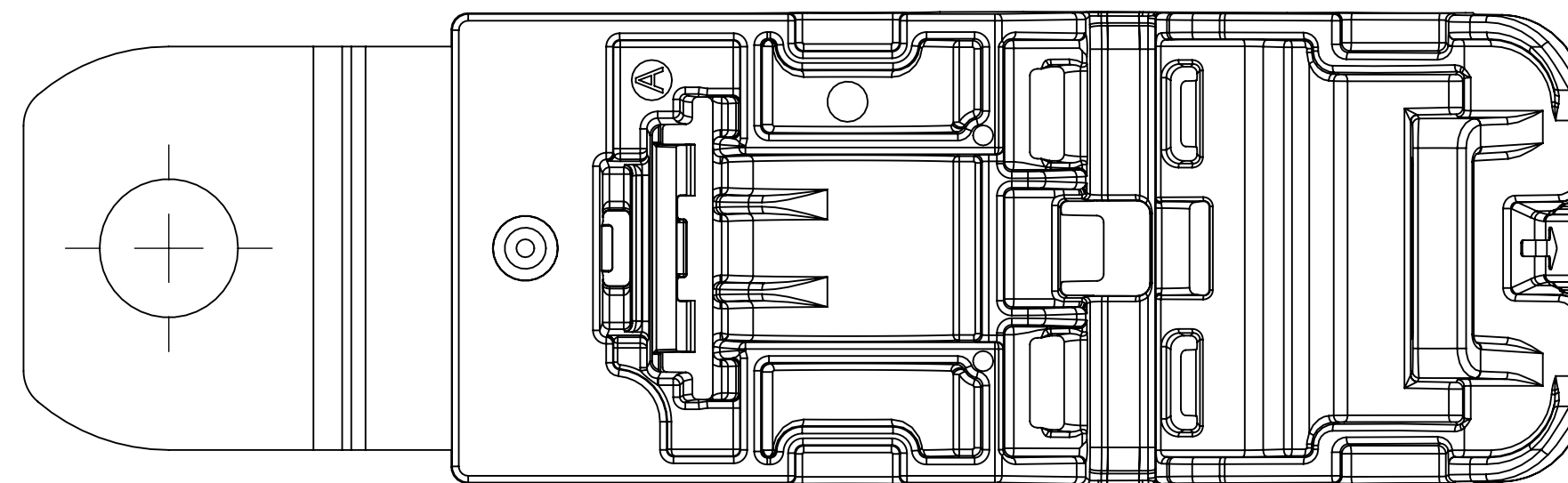
DRY AS MOLDED WITH ≤ 0.5% MOISTURE CONTENT:

4. ITS-0001 RATCHET P CLAMP SPLIT MANDREL TEST: 445 NEWTONS (100 LBS) MIN AT A NOMINAL BUNDLE DIAMETER OF 9.53 [0.375]

NOTE: TESTING CAN BE DONE ON ANY TYPE NUMBER AND WILL APPLY TO ALL OTHER TYPE NUMBERS IN THE TABLE ON SHEET 2

5. MAXIMUM PERCENT REGRIND PERMISSABLE: 25%

6. MAXIMUM ALLOWABLE FLASH OR MISMATCH TO BE: 0.25mm



Notes

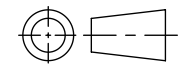
Material	Units:	millimeters
1. PA66HIRHSUV	Dimension without tolerances details to:	
	.xxx = ±.013	
	.xx = ±.13	
	.x = ±.3	
2. ZINC PLATED STEEL	None = ±.8	
	< = ±0.5*	
	Dimension Formatted mm{in}	

The copyright of this drawing is reserved by HellermannTyton. It is issued on condition that it is not reproduced, copied, or disclosed to a third party, either wholly or in part, without the consent of HellermannTyton.

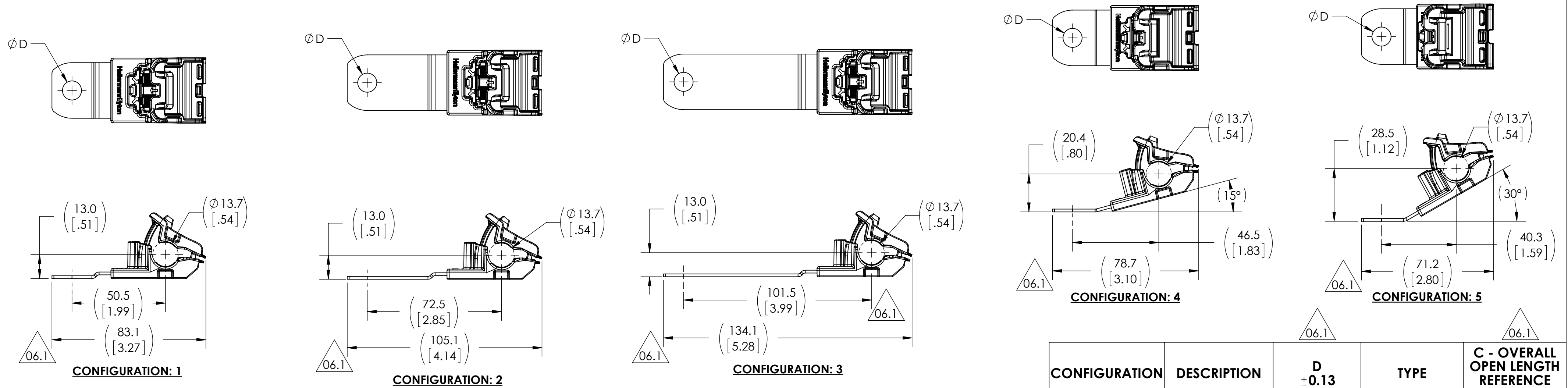
Drawn	MHT	05/26/2015
Approved	KAC	05/28/2015
HellermannTyton		
North America Email: corp@htamericas.com Web: www.hellermann.tyton.com		

BUNDLE TYPES	MINIMUM DIAMETER		MAXIMUM DIAMETER	
	A	B	A	B
SOFT	6.2 [.24]	13.7 [.54]		
HARD	5.4 [.21]	12.9 [.51]		

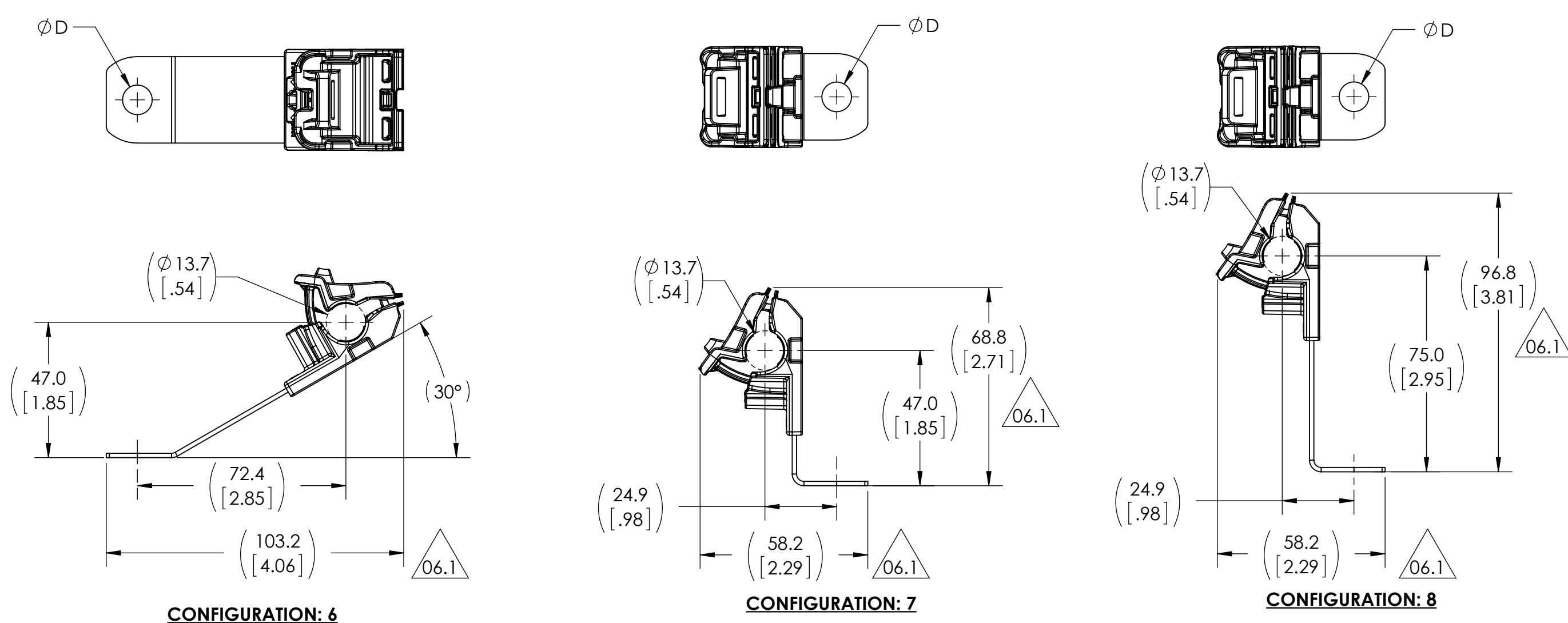
Article/Type-No	SEE CHART (SHEET 2)	Scale	2:1
Title	RCA RATCHET P CLAMP, SIZE A, CLAMP RANGE 6.0 TO 13.7	Project Number	PRP15-0341
Drawing-No	15-0341-102-CSU	Format	C
Production : Phase		Sheet	1/2



Revision level			Revision Record	Changed	Date	Approved	Date
Drawing	State	Part					
06.1	Design Release	A	SEE ECN# 013325	MHT	3/25/2016	MHT	3/25/2016



**ALL VIEWS IN MAXIMUM BUNDLE DIAMETER
PRODUCT SHIPPED IN CLAMP OPEN POSITION**



CONFIGURATION	DESCRIPTION	D ±0.13	TYPE	C - OVERALL OPEN LENGTH REFERENCE (SEE SHEET 1)
1	180° SHORT	6.50 [.256]	RCA180SM6	116.2 [4.58]
		8.31 [.327]	RCA180SM8	
		10.29 [.405]	RCA180SM10	
		12.95 [.510]	RCA180SM12	
2	180° MEDIUM	6.50 [.256]	RCA180MM6	138.2 [5.44]
		8.31 [.327]	RCA180MM8	
		10.29 [.405]	RCA180MM10	
3	180° LONG	6.50 [.256]	RCA180LM6	167.2 [6.58]
		8.31 [.327]	RCA180LM8	
		10.29 [.405]	RCA180LM10	
4	15° SHORT	6.50 [.256]	RCA15SM6	115.6 [4.55]
		8.31 [.327]	RCA15SM8	
		10.29 [.405]	RCA15SM10	
5	30° SHORT	6.50 [.256]	RCA30SM6	113.5 [4.47]
		8.31 [.327]	RCA30SM8	
		10.29 [.405]	RCA30SM10	
6	30° LONG	6.50 [.256]	RCA30LM6	150.5 [5.93]
		8.31 [.327]	RCA30LM8	
		10.29 [.405]	RCA30LM10	
7	90° SHORT	6.50 [.256]	RCA90SM6	101.9 [4.01]
		8.31 [.327]	RCA90SM8	
		10.29 [.405]	RCA90SM10	
8	90° LONG	6.50 [.256]	RCA90LM6	129.9 [5.12]
		8.31 [.327]	RCA90LM8	
		10.29 [.405]	RCA90LM10	
		12.95 [.510]	RCA90LM12	

Notes	Material	Units: millimeters	Drawn	MHT	05/26/2015	Article/Type-No	SEE CHART	Scale	2:3	
	1. PA66HIRHSUV	Dimension without tolerances details to:	Approved	KAC	05/28/2015	Title	RCA RATCHET P CLAMP, SIZE A, CLAMP RANGE 6.0 TO 13.7	Project Number	PRP15-0341	
	2. ZINC PLATED STEEL	.xxx = ±.013 .xx = ±.13 .x = ±.3 None = ±.8 ∠ = ±0.5°	The copyright of this drawing is reserved by HellermannTyton. It is issued on condition that it is not reproduced, copied, or disclosed to a third party, either wholly or in part, without the consent of HellermannTyton.		HellermannTyton		Drawing-No	15-0341-102-CSU	Format	C
		Dimension Formatted mm{in}	North America Email: corp@htamericas.com Web: www.hellermann.tyton.com		Production : Phase		Sheet	2/2		