



Chipsmall Limited consists of a professional team with an average of over 10 year of expertise in the distribution of electronic components. Based in Hongkong, we have already established firm and mutual-benefit business relationships with customers from,Europe,America and south Asia,supplying obsolete and hard-to-find components to meet their specific needs.

With the principle of “Quality Parts,Customers Priority,Honest Operation,and Considerate Service”,our business mainly focus on the distribution of electronic components. Line cards we deal with include Microchip,ALPS,ROHM,Xilinx,Pulse,ON,Everlight and Freescale. Main products comprise IC,Modules,Potentiometer,IC Socket,Relay,Connector.Our parts cover such applications as commercial,industrial, and automotives areas.

We are looking forward to setting up business relationship with you and hope to provide you with the best service and solution. Let us make a better world for our industry!



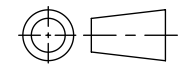
Contact us

Tel: +86-755-8981 8866 Fax: +86-755-8427 6832

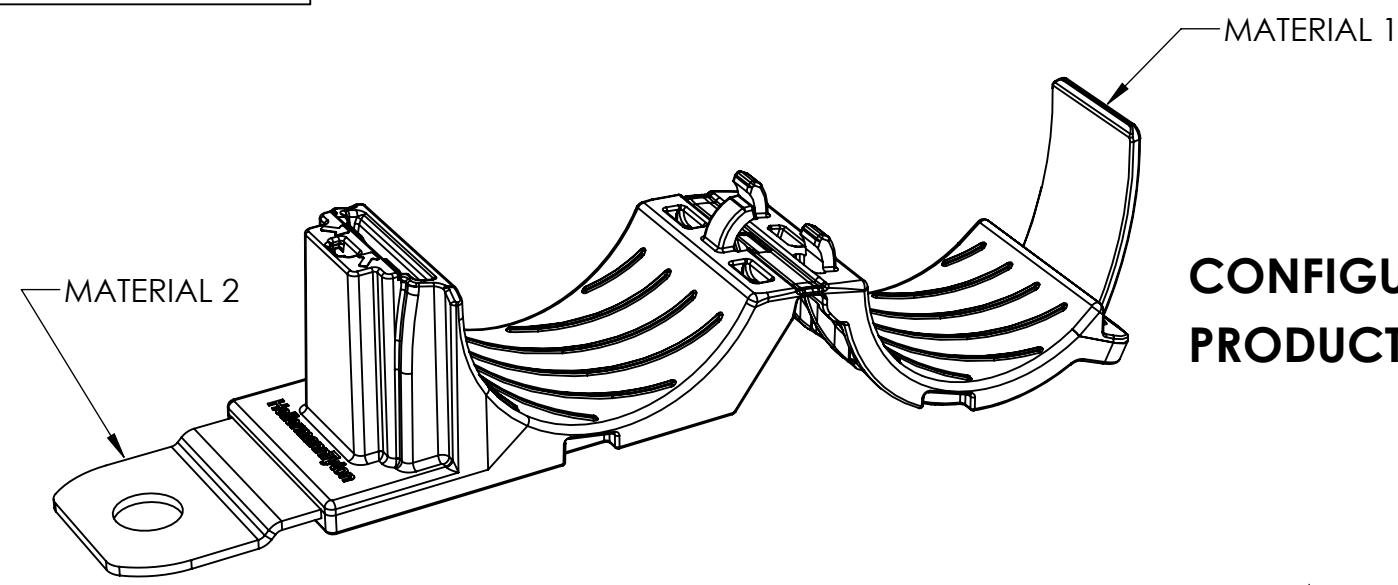
Email & Skype: info@chipsmall.com Web: www.chipsmall.com

Address: A1208, Overseas Decoration Building, #122 Zhenhua RD., Futian, Shenzhen, China

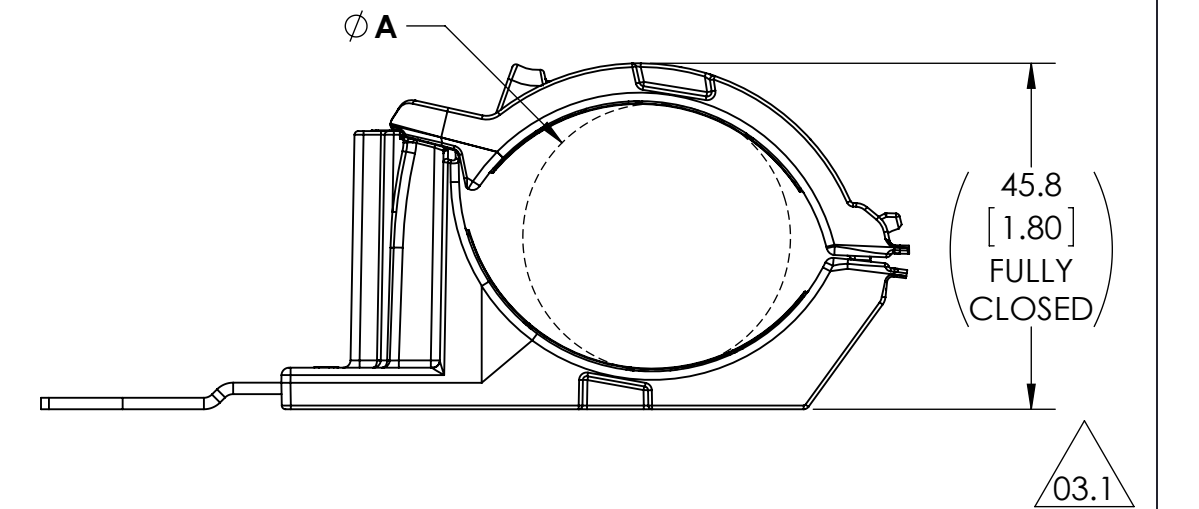
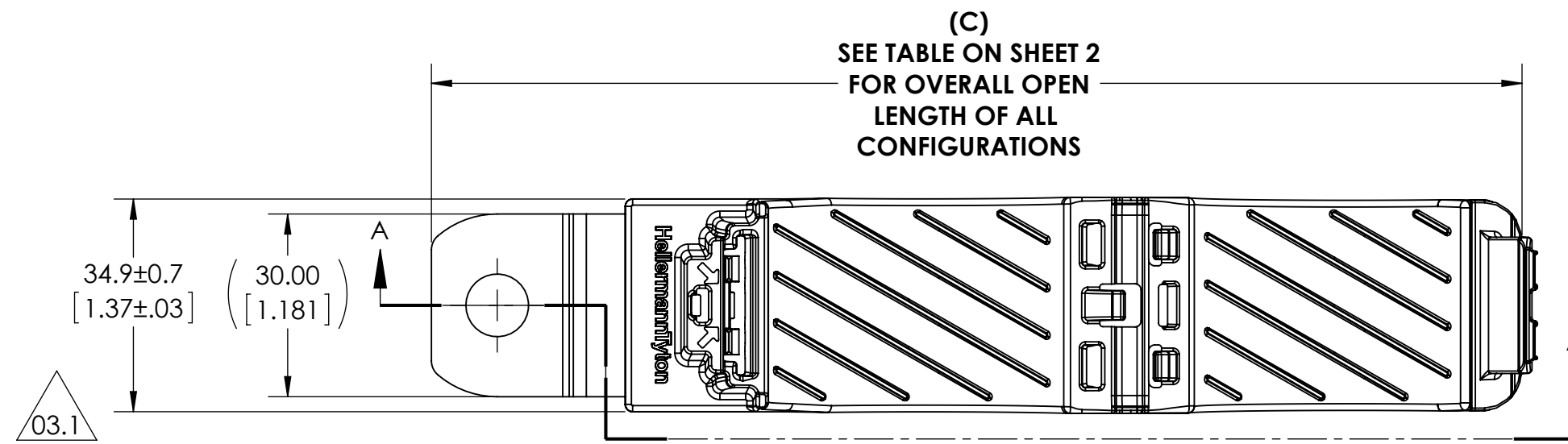




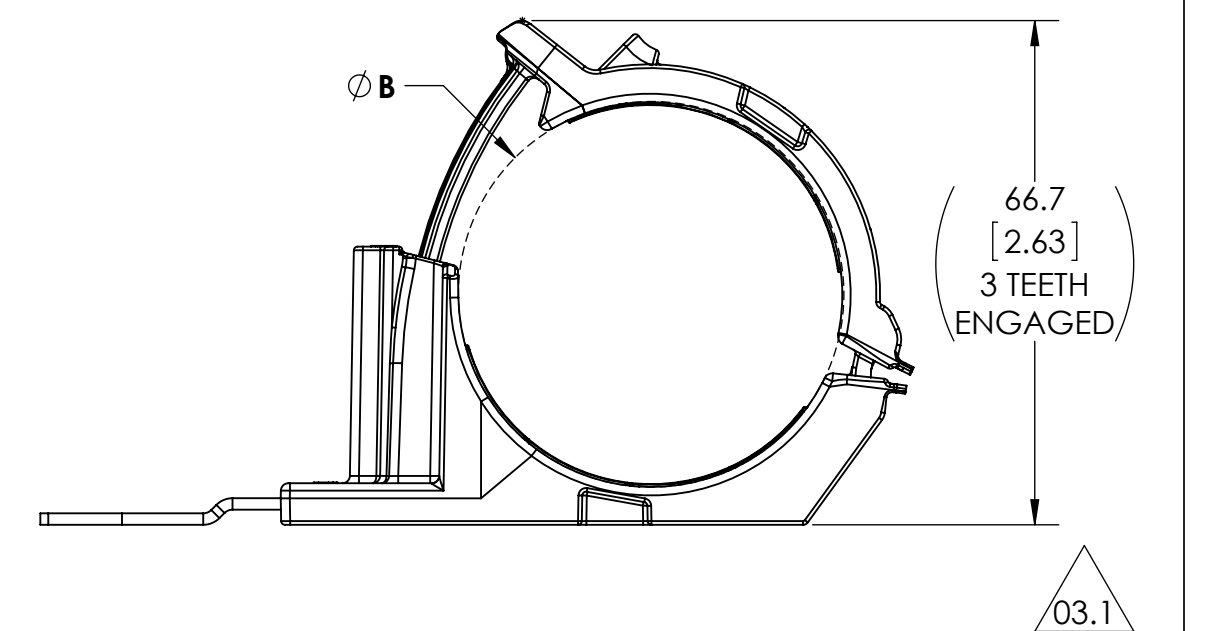
Revision level			Revision Record	Changed	Date	Approved	Date
Drawing	State	Part					
03.1	Design Release	A	SEE ECN# 013325	KEP	3/25/2016	MHT	3/25/2016



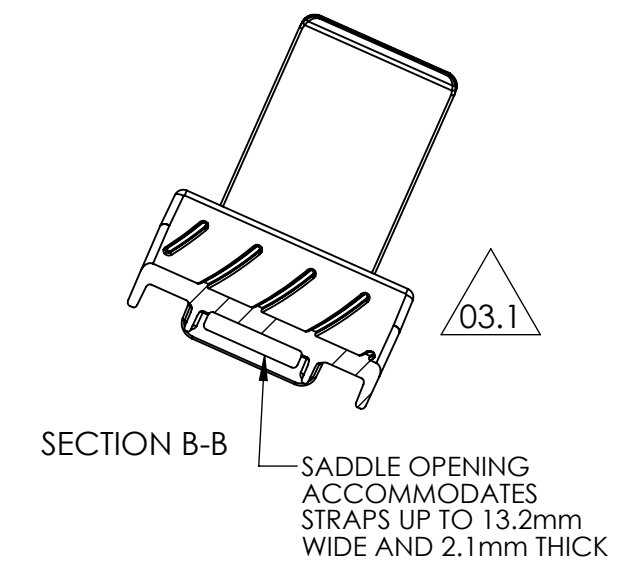
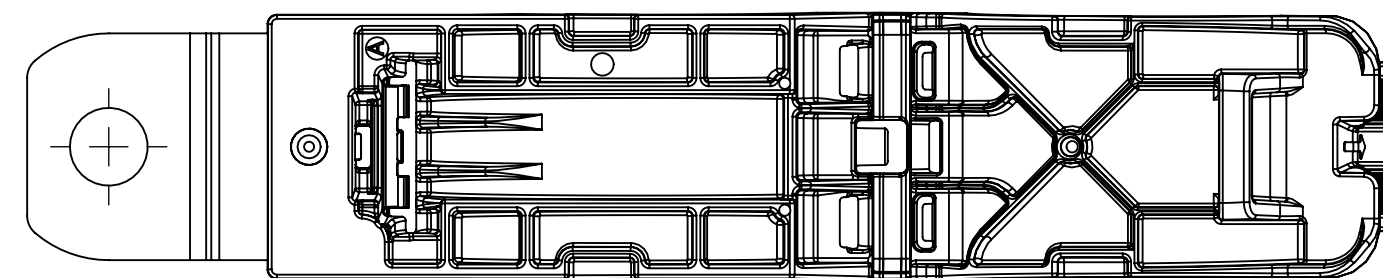
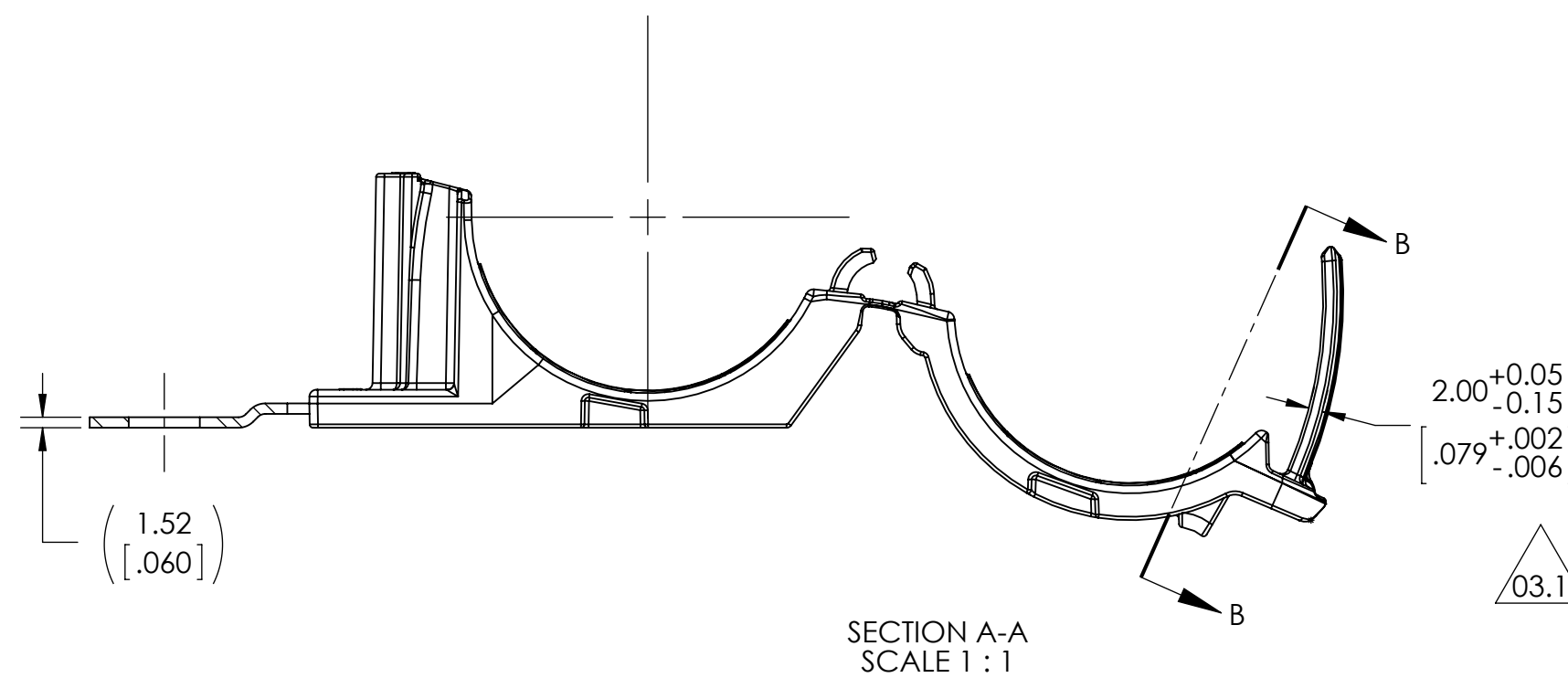
**CONFIGURATION 1 SHOWN
PRODUCT SHIPPED IN CLAMP OPEN POSITION**



MINIMUM BUNDLE DIAMETER



MAXIMUM BUNDLE DIAMETER



BUNDLE TYPES	A	B
	MINIMUM DIAMETER	MAXIMUM DIAMETER
SOFT	36.0 [1.42]	51.0 [2.00]
HARD	35.2 [1.39]	49.9 [1.96]

03.1

INITIAL MOLD VALIDATION:

1. ITS-0003 RATCHET P CLAMP SOLID MANDREL TEST:
EXCEEDED 445 NEWTONS (100 LBS) MIN AT A
NOMINAL BUNDLE DIAMETER OF 44.45 [1.750]
TESTING ONLY REQUIRED OF CONFIGURATION
*RCD180SM10, *RCD180LM10, AND *RCD90LM10
*TESTING CAN BE SUBSTITUTED WITH M6, M8, M12
VERSION MOUNTING HOLES

2. ITS-0008 CLOSE AND RELEASE TEST:
EXCEEDED 445 NEWTONS (100 LBS) MIN AT A
NOMINAL BUNDLE DIAMETER OF 44.45 [1.750]
AFTER CLOSING AND RELEASING 40 TIMES

3. ITS-0014 LOW TEMPERATURE HINGE TEST:
NO DAMAGE OCCURED AFTER BENDING LIVING
HINGE 40 TIMES AT -40°C

NOTE: TESTING #2 AND #3 CAN BE DONE ON ANY
TYPE NUMBER AND WILL APPLY TO ALL OTHER TYPE
NUMBERS IN THE TABLE ON SHEET 2

03.1

PERFORMANCE REQUIREMENTS:

DRY AS MOLDED WITH ≤ 0.5% MOISTURE CONTENT:

4. ITS-0001 RATCHET P CLAMP SPLIT MANDREL TEST:
445 NEWTONS (100 LBS) MIN AT A NOMINAL BUNDLE
DIAMETER OF 44.45 [1.750]

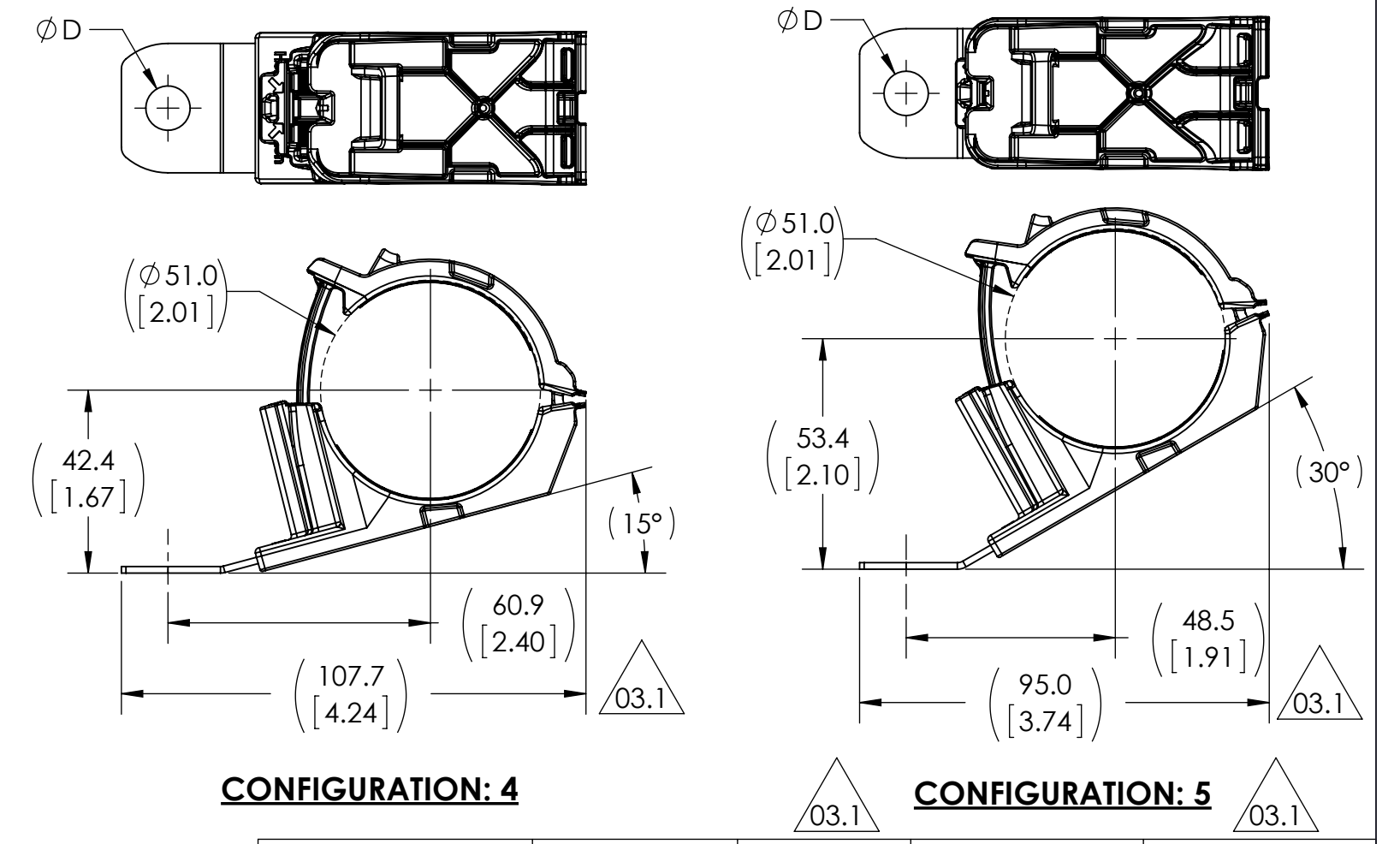
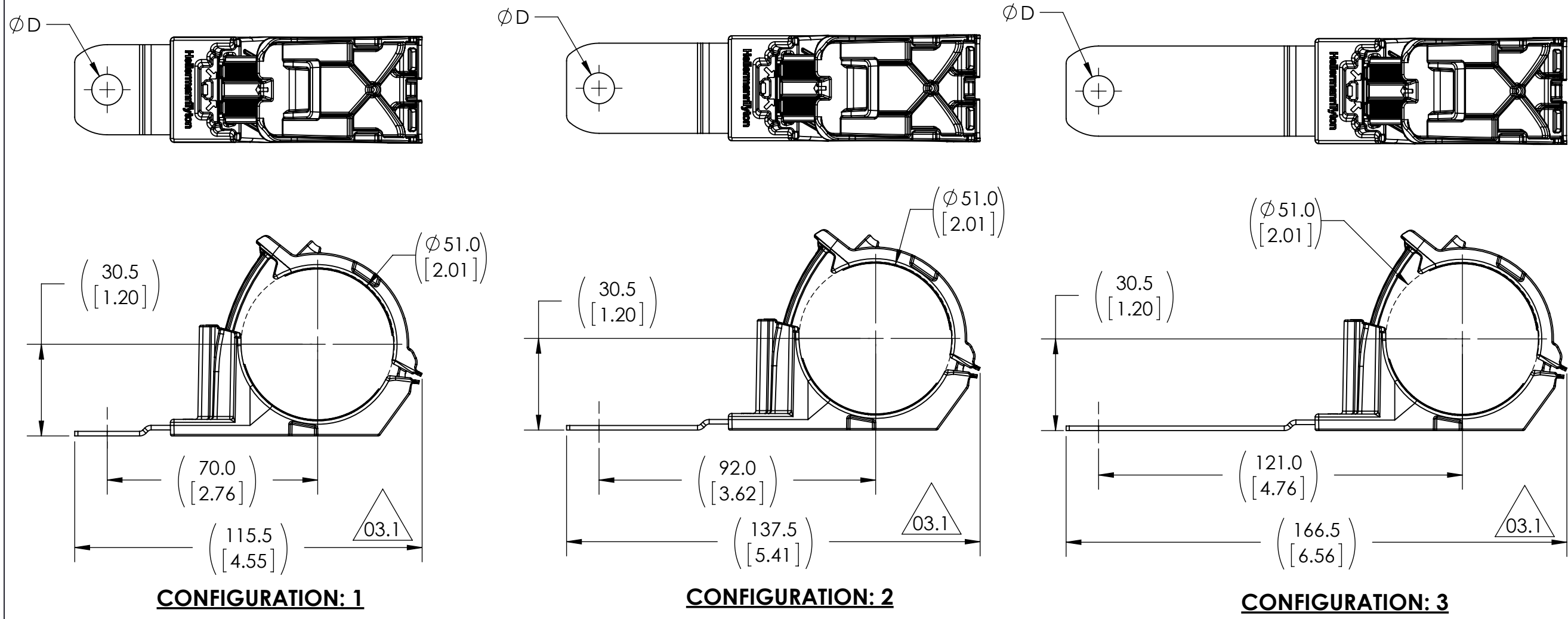
NOTE: TESTING CAN BE DONE ON ANY TYPE NUMBER
AND WILL APPLY TO ALL OTHER TYPE NUMBERS IN THE
TABLE ON SHEET 2

5. MAXIMUM PERCENT REGRIND PERMISSABLE: 25%

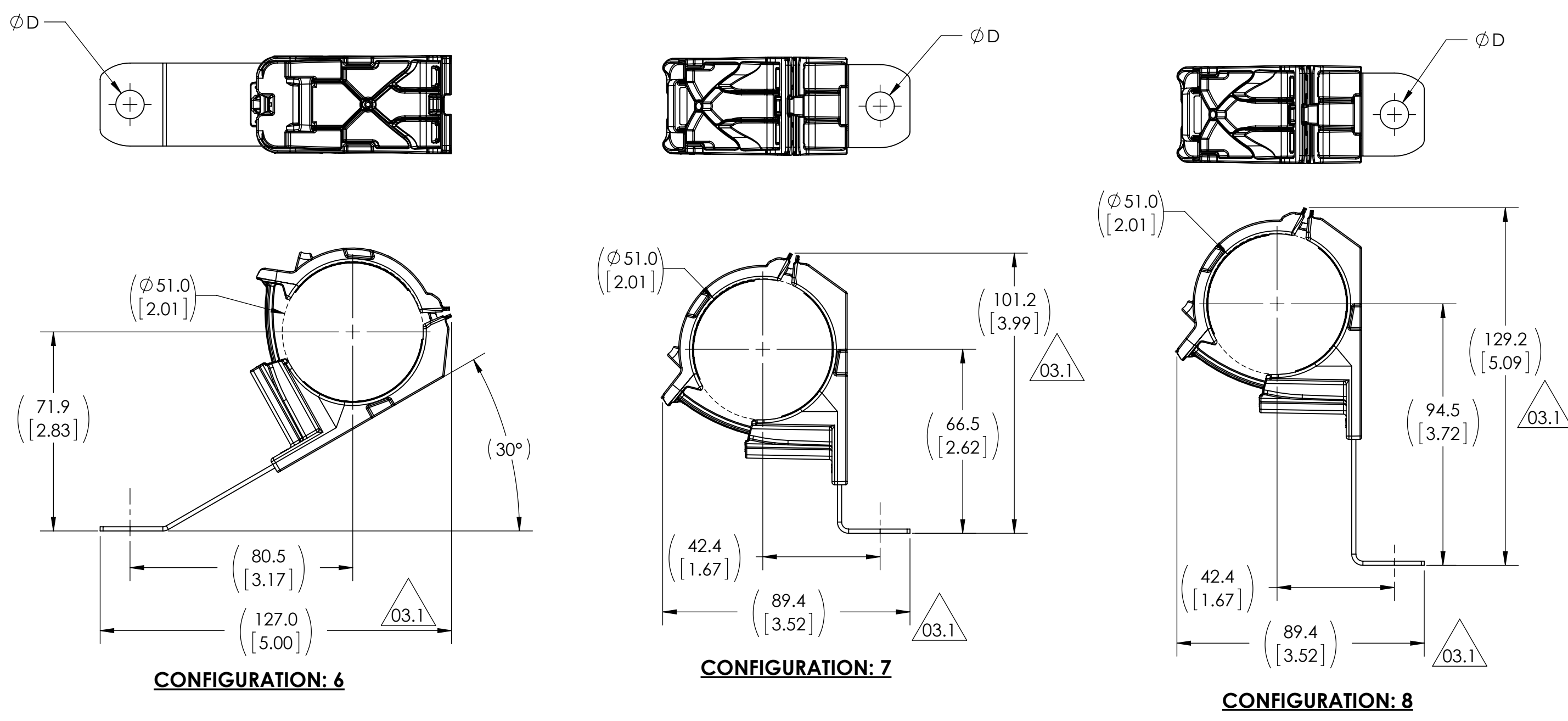
6. MAXIMUM ALLOWABLE FLASH OR MISMATCH TO
BE: 0.25mm

Notes	Material	Units: millimeters	The copyright of this drawing is reserved by HellermannTyton. It is issued on condition that it is not reproduced, copied, or disclosed to a third party, either wholly or in part, without the consent of HellermannTyton.	Drawn	KEP	08/21/2015	Article/Type-No	SEE CHART (SHEET 2)	Scale	1:1
	1. PA66HIRHSUV 2. ZINC PLATED STEEL	Dimension without tolerances details to: .xxx = ±.013 .xx = ±.13 .x = ±.3 None = ±.8 < = ±0.5* Dimension Formatted mm{in}		Approved	MHT	8/21/2015	Title	RCD RATCHET P CLAMP, SIZE D, CLAMP RANGE 36.0 TO 51.0	Project Number	PRP15-0341
				HellermannTyton North America Email: corp@htamericas.com Web: www.hellermann.tyton.com		Drawing-No	15-0341-104-CSU	Production : Phase	Format	C
								SHEET 1 OF 2		Sheet 1/2

Revision level			Revision Record	Changed	Date	Approved	Date
Drawing	State	Part					
03.1	Design Release	A	SEE ECN# 013325	KEP	3/25/2016	MHT	3/25/2016



**ALL VIEWS IN MAXIMUM BUNDLE DIAMETER
PRODUCT SHIPPED IN CLAMP OPEN POSITION**



CONFIGURATION	DESCRIPTION	D ±0.13	TYPE	C - OVERALL OPEN LENGTH REFERENCE (SEE SHEET 1)
1	180° SHORT	6.50 [.256]	RCD180SM6	181.5 [7.15]
		8.31 [.327]	RCD180SM8	
		10.29 [.405]	RCD180SM10	
		12.95 [.510]	RCD180SM12	
2	180° MEDIUM	6.50 [.256]	RCD180MM6	203.5 [8.01]
		8.31 [.327]	RCD180MM8	
		10.29 [.405]	RCD180MM10	
3	180° LONG	6.50 [.256]	RCD180LM6	232.5 [9.15]
		8.31 [.327]	RCD180LM8	
		10.29 [.405]	RCD180LM10	
4	15° SHORT	6.50 [.256]	RCD15SM6	180.9 [7.12]
		8.31 [.327]	RCD15SM8	
		10.29 [.405]	RCD15SM10	
5	30° SHORT	6.50 [.256]	RCD30SM6	178.8 [7.04]
		8.31 [.327]	RCD30SM8	
		10.29 [.405]	RCD30SM10	
6	30° LONG	6.50 [.256]	RCD30LM6	215.8 [8.50]
		8.31 [.327]	RCD30LM8	
		10.29 [.405]	RCD30LM10	
7	90° SHORT	6.50 [.256]	RCD90SM6	167.2 [6.58]
		8.31 [.327]	RCD90SM8	
		10.29 [.405]	RCD90SM10	
8	90° LONG	6.50 [.256]	RCD90LM6	195.2 [7.69]
		8.31 [.327]	RCD90LM8	
		10.29 [.405]	RCD90LM10	
		12.95 [.510]	RCD90LM12	

Notes	Material	Units: millimeters	The copyright of this drawing is reserved by HellermannTyton. It is issued on condition that it is not reproduced, copied, or disclosed to a third party, either wholly or in part, without the consent of HellermannTyton.	Drawn	KEP	08/21/2015	Article/Type-No	SEE CHART	Scale	2:3
	1. PA66HIRHSUV 2. ZINC PLATED STEEL	Dimension without tolerances details to:		Approved	MHT	8/21/2015	Title	RCD RATCHET P CLAMP, SIZE D, CLAMP RANGE 36.0 TO 51.0	Project Number	PRP15-0341
		.xxx = ±.013 .xx = ±.13 .x = ±.3 None = ±.8 < = ±0.5*		HellermannTyton North America Email: corp@htamericas.com Web: www.hellermann.tyton.com		Drawing-No	15-0341-104-CSU	Production : Phase	Format	C
		Dimension Formatted mm/(in)				Sheet	2/2			