



Chipsmall Limited consists of a professional team with an average of over 10 year of expertise in the distribution of electronic components. Based in Hongkong, we have already established firm and mutual-benefit business relationships with customers from,Europe,America and south Asia,supplying obsolete and hard-to-find components to meet their specific needs.

With the principle of “Quality Parts,Customers Priority,Honest Operation,and Considerate Service”,our business mainly focus on the distribution of electronic components. Line cards we deal with include Microchip,ALPS,ROHM,Xilinx,Pulse,ON,Everlight and Freescale. Main products comprise IC,Modules,Potentiometer,IC Socket,Relay,Connector.Our parts cover such applications as commercial,industrial, and automotives areas.

We are looking forward to setting up business relationship with you and hope to provide you with the best service and solution. Let us make a better world for our industry!



Contact us

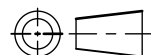
Tel: +86-755-8981 8866 Fax: +86-755-8427 6832

Email & Skype: info@chipsmall.com Web: www.chipsmall.com

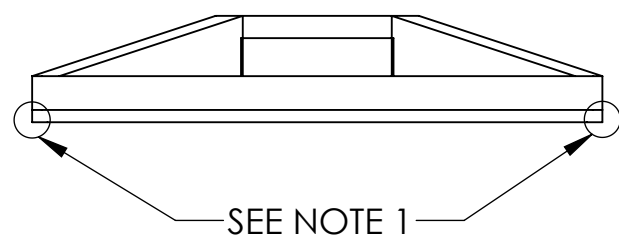
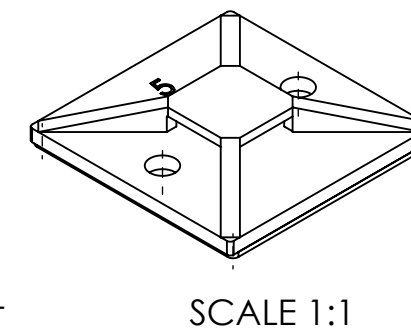
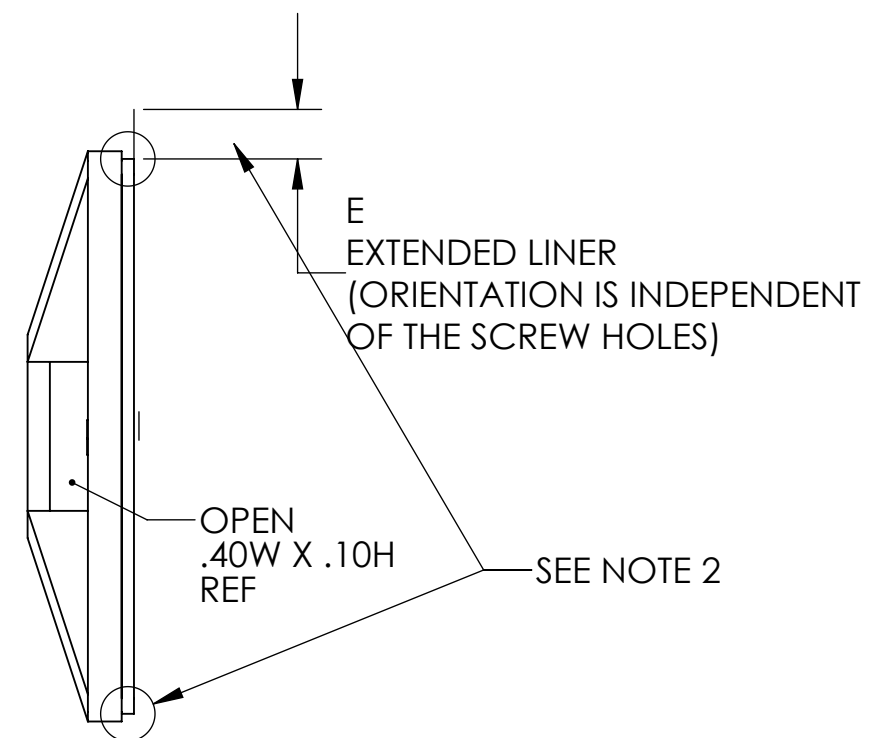
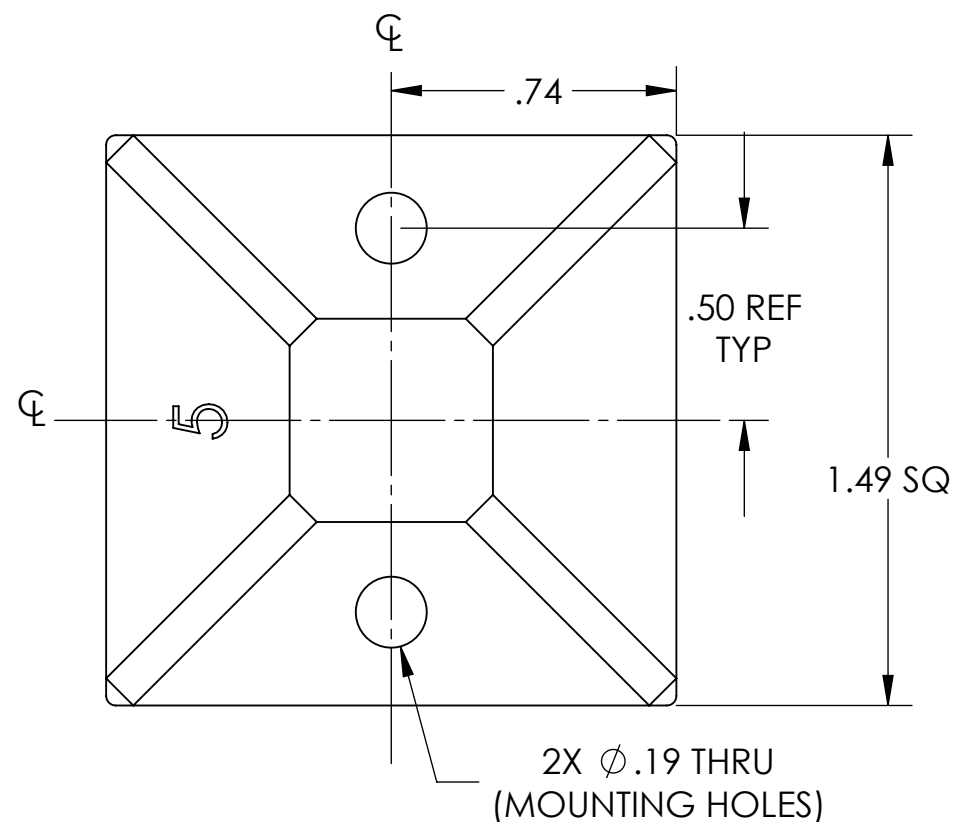
Address: A1208, Overseas Decoration Building, #122 Zhenhua RD., Futian, Shenzhen, China



SW2014



Revision level			Revision Record	Changed	Date	Approved	Date
Drawing	State	Part					
00.0	Design Release		SEE ECN# 013433	KEP	4/13/2016	JPG	4/13/2016



MB5A4	.045	.13	URAD5PX5011E ACRYLIC FOAM TAPE	PA66HIRHSUV	T18 THRU T150
MB5_	-	-	#8 SCREW (NOT INCLUDED)	PA66	
TYPE NAME	T	E	MOUNTING METHOD	MOUNT MATERIAL	CABLE TIE SERIES

Notes
 1. TAPE MAY BE FLUSH OR EXTEND BEYOND THE EDGE OF THE MOUNT
 2. TAPE MAY BE FLUSH OR INSIDE THE MOUNT EDGE

Material
 SEE TABLE

Units: inches
 Dimension without tolerances details to:
 .xxxx = ±.0005
 .xxx = ±.005
 .xx = ±.01
 .x = ±.03
 None = ±.06
 ∠ = ±0.5°
 Dimension Formatted in/[mm]

The copyright of this drawing is reserved by HellermannTyton. It is issued on condition that it is not reproduced, copied, or disclosed to a third party, either wholly or in part, without the consent of HellermannTyton.

Drawn: KEP, 4/13/2016
 Approved: JPG, 4/13/2016
HellermannTyton
 North America
 Email: corp@htamericas.com
 Web: www.hellermann.tyton.com

Article/Type-No: SEE CHART
 Title: MOUNTING BASE, 4 WAY, MB5, SELF-ADHESIVE
 Drawing-No: 16-0340-001-CSU
 PRODUCTION : Phase

Scale: 2:1
 Project Number: PRP16-0340
 Format: B
 Sheet: 1/1