



Chipsmall Limited consists of a professional team with an average of over 10 year of expertise in the distribution of electronic components. Based in Hongkong, we have already established firm and mutual-benefit business relationships with customers from,Europe,America and south Asia,supplying obsolete and hard-to-find components to meet their specific needs.

With the principle of “Quality Parts,Customers Priority,Honest Operation,and Considerate Service”,our business mainly focus on the distribution of electronic components. Line cards we deal with include Microchip,ALPS,ROHM,Xilinx,Pulse,ON,Everlight and Freescale. Main products comprise IC,Modules,Potentiometer,IC Socket,Relay,Connector.Our parts cover such applications as commercial,industrial, and automotives areas.

We are looking forward to setting up business relationship with you and hope to provide you with the best service and solution. Let us make a better world for our industry!



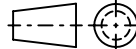
Contact us

Tel: +86-755-8981 8866 Fax: +86-755-8427 6832

Email & Skype: info@chipsmall.com Web: www.chipsmall.com

Address: A1208, Overseas Decoration Building, #122 Zhenhua RD., Futian, Shenzhen, China



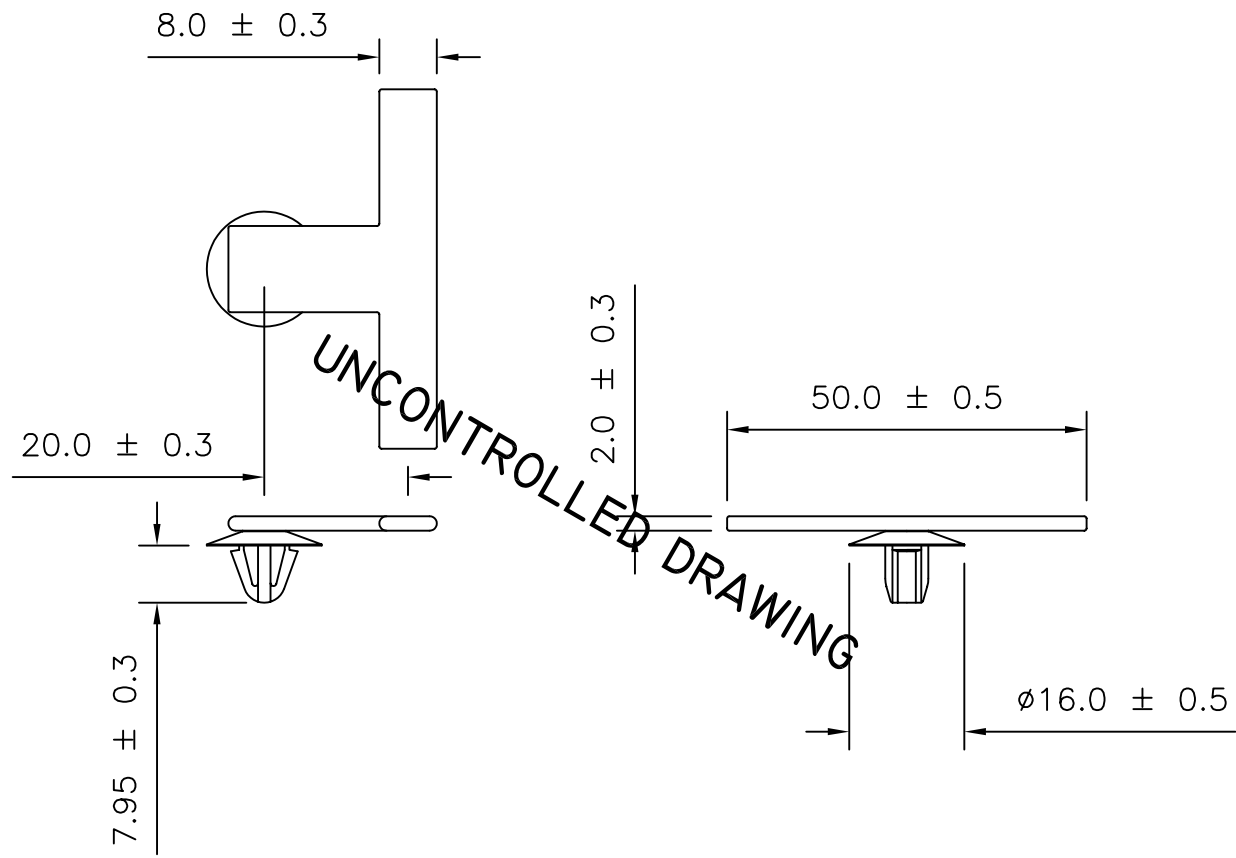
ACAD 

Revision level Indice Aenderungsstand		Revision Record Désignation Beschreibung der Aenderung	Changed Modifié Geändert	Date Datum	Approved Approuvé Geprueft	Date Datum
Drawing Dessin Zeichnung	Part Pièce Solid					

Hole Size
Trou Ø
Loch Ø
7.0 DIA

Panel Thickness
Epaisseur Support
Blechedicke
0.8 TO 1.6

Material
Matière
Werkstoff
PA 6.6 BLACK



Tolerances
Dimension without tolerances
details to:
Tolérances
Cotes sans tolérances:
Toleranzen
Masse ohne
Toleranzangaben nach:
DIN 16901 / 140

PERFORMANCE
SPECIFICATION
AUSFUEHRUNG
SPEZIFIKATION

The copyright of this drawing is reserved by HELLERMANN TYTON. It is issued on condition that it is not reproduced, copied or disclosed to a third party, either wholly or in part, without the consent of HELLERMANN TYTON.

La propriété de ce plan est réservée à la société HELLERMANN TYTON. Il est distribué à condition qu'il ne soit pas reproduit, communiqué ou révélé à une tierce partie, soit complètement ou en partie, sans le consentement de la société HELLERMANN TYTON.

Weitergabe sowie Vervielfältigung dieser Unterlage, Verwertung und Mitteilung ihres Inhalts nicht gestattet, soweit nicht ausdrücklich zugestanden. Zuwiderhandlungen verpflichten zu Schadenersatz. Alle Rechte fuer den Fall der Patenterteilung oder Gebrauchsmuster-Eintragung vorbehalten.

Drawn
Dessiné Par
Gezeichnet
C.HOLDEN
21.06.06

Approved
Approuvé Par
Geprueft
S.BENTICK
21.06.06

HellermannTyton

Manchester Telephone: +44 (0) 161 945 4181
Facsimile: +44 (0) 161 947 2228

Trappes Téléphone: +33 (0) 1 30 13 80 00
Télécopie: +33 (0) 1 30 13 80 60

Tornesch Telefon: +49 (0) 41 22 / 701-1
Telefax: +49 (0) 41 22 / 701-400

Scale
Echelle
Maszstab
1:1

Project Number
Numéro de projet
Projektnummer
CD1015-01

Title
Titre
Benennung
CH20D7

Drawing-No
Plan-No
Zeichnungs-Nr
DWG-0821-00

Format
D.Size
A4

Sheet
Page
Blatt
1/1

Product Number
Cross Reference Record

Uncontrolled Document

Pre-UNS Number System	(New) UNS Universal Number System	Customer Part Number
Product Number CH20D7	Product Number 151-02600	Product Number -
Reference Drawing Number: XCL-INSL022CST(DWG-0821-00)		

Issued By:	(New) UNS Product Number	Issue Date:
HellermannTyton	Universal Numbering System	November 8, 2011