



Chipsmall Limited consists of a professional team with an average of over 10 year of expertise in the distribution of electronic components. Based in Hongkong, we have already established firm and mutual-benefit business relationships with customers from,Europe,America and south Asia,supplying obsolete and hard-to-find components to meet their specific needs.

With the principle of “Quality Parts,Customers Priority,Honest Operation,and Considerate Service”,our business mainly focus on the distribution of electronic components. Line cards we deal with include Microchip,ALPS,ROHM,Xilinx,Pulse,ON,Everlight and Freescale. Main products comprise IC,Modules,Potentiometer,IC Socket,Relay,Connector.Our parts cover such applications as commercial,industrial, and automotives areas.

We are looking forward to setting up business relationship with you and hope to provide you with the best service and solution. Let us make a better world for our industry!



Contact us

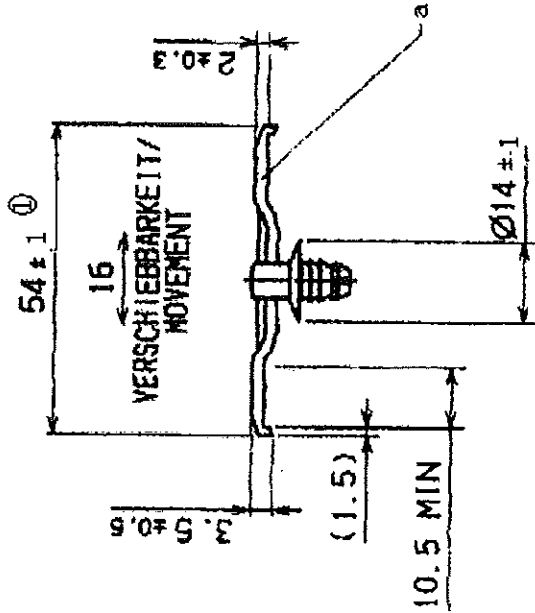
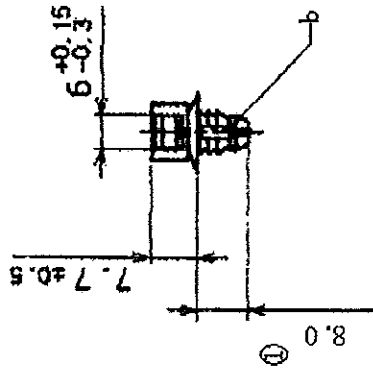
Tel: +86-755-8981 8866 Fax: +86-755-8427 6832

Email & Skype: info@chipsmall.com Web: www.chipsmall.com

Address: A1208, Overseas Decoration Building, #122 Zhenhua RD., Futian, Shenzhen, China



Revision No. 变更数	Revisions 变更事项	Changed 修改者	Date 日期	Approved 确认者	Date 日期
①	S4±1 was 54±0.5 / S4±1 was 54±0.5 S.O was 8.0±0.5 / S.O was 8.0±0.5	HuangSheng	15/Dec/2005	唐传文	15/12/2005



EXAMPLE OF DESIGNATION

/ 部件名称说明

- a) CHI
- b) CHM2

<p>Ø HOLE SIZE 适用孔径 6.5-7.0mm</p> <p>PANEL THICKNESS 适用板厚 0.8-2.0mm</p> <p>Standard Packing 标准包装 500 Pcs/bag, 20 bags (共 10000 Pcs) / 箱 500 Pcs/bag, 20 bags (Total 10000 Pcs) / 箱</p>	<p>CAD</p> <p>the copyright of this drawing is reserved by HELLERMANN TYTON. it is issued on condition that it is not reproduced, copied or disclosed to a third party, either wholly or in part, without the consent of HELLERMANN TYTON.</p>		Drawn/制图	HuangSheng	Scale/比例	ND / 无
			Approved/审核	唐传文	Title/品名	CHA2
Material/材料:	<p>CHI-12264 (聚酰胺66) 黑色/Black 86 Nylon (Polyamid 86) CHM2-12266 (聚酰胺66) 黑色/Black 86 Nylon (Polyamid 86)</p>		<p>HellermannTyton 赫尔曼曼太通 (无锡) 电器配件有限公司 (WUXI) Electrical Accessories Co., Ltd. Tel: +86-510-5282536 Fax: +86-510-5280112</p>			
Dimension Units/尺寸单位	mm		Drawing-No/图号			
PERFORMANCE / 性能 SPECIFICATION / 标准			QDQ202-00B-01			
			Format/格式 A4			