



Chipsmall Limited consists of a professional team with an average of over 10 year of expertise in the distribution of electronic components. Based in Hongkong, we have already established firm and mutual-benefit business relationships with customers from,Europe,America and south Asia,supplying obsolete and hard-to-find components to meet their specific needs.

With the principle of “Quality Parts,Customers Priority,Honest Operation,and Considerate Service”,our business mainly focus on the distribution of electronic components. Line cards we deal with include Microchip,ALPS,ROHM,Xilinx,Pulse,ON,Everlight and Freescale. Main products comprise IC,Modules,Potentiometer,IC Socket,Relay,Connector.Our parts cover such applications as commercial,industrial, and automotives areas.

We are looking forward to setting up business relationship with you and hope to provide you with the best service and solution. Let us make a better world for our industry!



Contact us

Tel: +86-755-8981 8866 Fax: +86-755-8427 6832

Email & Skype: info@chipsmall.com Web: www.chipsmall.com

Address: A1208, Overseas Decoration Building, #122 Zhenhua RD., Futian, Shenzhen, China



Aenderungsstand / Revision level		Beschreibung der Aenderung/ Revision Record	Geaendert Changed	Datum Date	Geprueft Approved	Datum Date
Solid / part	Zeichnung / drawing					

Blechdicke / Panel thickness

1-3 mm

Werkstoff / Material
Farbe / Colour

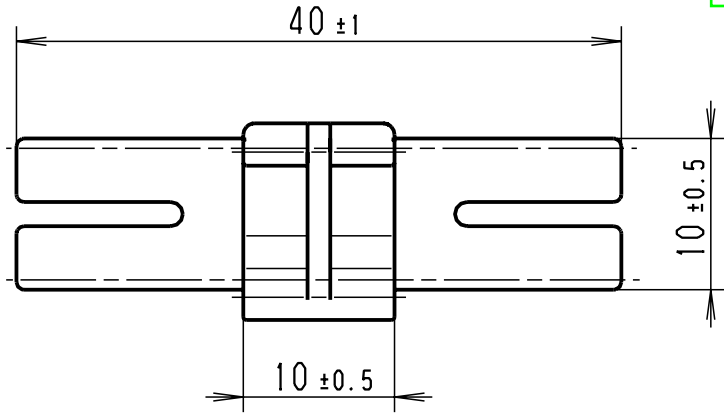
PA 6.6 hitzestabilisiert,
schlagzaeh, schwarz
PA 6.6 heatstabilized,
impact resistant modified,
black

Toleranzen / Tolerances

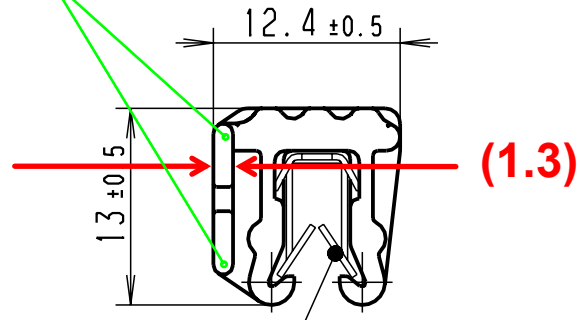
Masse ohne Toleranzangaben nach
Dimension without tolerances
details to

DIN 16901 /

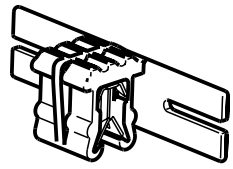
AUSFUERHRUNG / PERFORMANCE
SPEZIFIKATION / SPEC.



ejector pins on tape bar
(not shown on drawing)



Blechklammer TE4-834-000-K
Clamp TE4-834-000-K

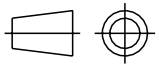


1:1

Nur zur Information,
wird vom Aenderungsdienst
nicht erfasst.

For information only,
not subject to alteration service.

CATIA
4.2.4



Gez. / Drawn	27.01.04	Bayer
Gepr. / Appr.	27.01.04	Spiesz

Masstab / Scale 2:1; 1:1 NT-667-03

Benennung / Title
Edgeclip 16

HellermannTyton
HellermannTyton GmbH

Grosser Morweg 45, 25436 Tornesch
Telefon: 04122 / 701-1
Telefax: 04122 / 701-400

Zeichnungs-Nr./Drawing-No
14.1726
Format D.Size **A4**
Blatt Sheet

Weitergabe sowie Vervielfaeltigung dieser Unterlage, Verwertung und Mitteilung ihres Inhalts nicht gestattet, soweit nicht ausdruuecklich zugestanden. Zuwiderhandlungen verpflichten zu Schadenersatz. Alle Rechte fuer den Fall der Patenterteilung oder Gebrauchsmuster-Eintragung vorbehalten.

The copyright of this drawing is reserved by HELLERMANN TYTON GMBH. It is issued on condition that it is not reproduced, copied or disclosed to a third party, either wholly or in part, without the consent of HELLERMANN TYTON GMBH.

Product Number
Cross Reference Record

Uncontrolled Document

Pre-UNS Number System	(New) UNS Universal Number System	Customer Part Number
Product Number Edgeclip 16	Product Number 151-03402	Product Number -
Reference Drawing Number 14.1726 (XCL-HMAN018CST)		

Issued By:	(New) UNS Product Number	Issue Date:
HellermannTyton	Universal Numbering System	Oct. 12, 2005