



Chipsmall Limited consists of a professional team with an average of over 10 year of expertise in the distribution of electronic components. Based in Hongkong, we have already established firm and mutual-benefit business relationships with customers from,Europe,America and south Asia,supplying obsolete and hard-to-find components to meet their specific needs.

With the principle of "Quality Parts,Customers Priority,Honest Operation,and Considerate Service",our business mainly focus on the distribution of electronic components. Line cards we deal with include Microchip,ALPS,ROHM,Xilinx,Pulse,ON,Everlight and Freescale. Main products comprise IC,Modules,Potentiometer,IC Socket,Relay,Connector.Our parts cover such applications as commercial,industrial, and automotives areas.

We are looking forward to setting up business relationship with you and hope to provide you with the best service and solution. Let us make a better world for our industry!



## Contact us

Tel: +86-755-8981 8866 Fax: +86-755-8427 6832

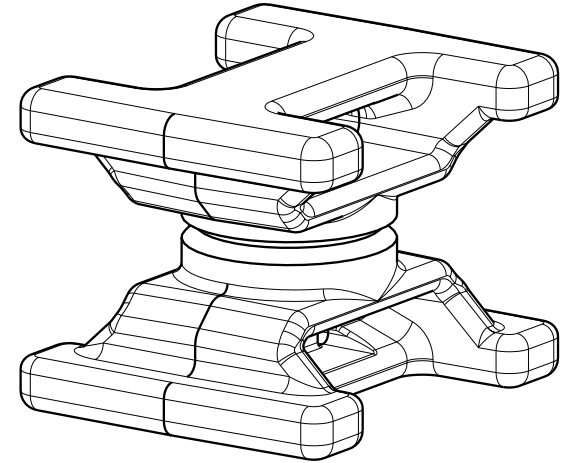
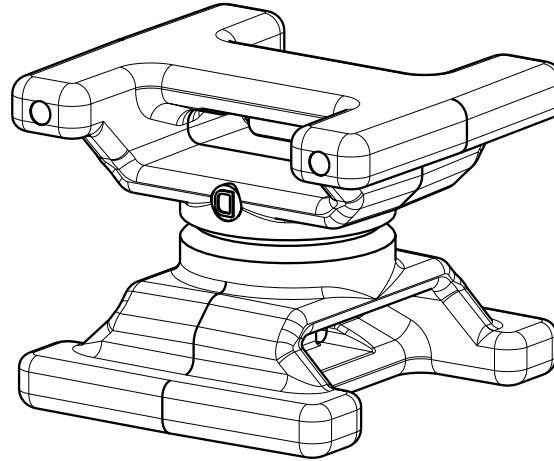
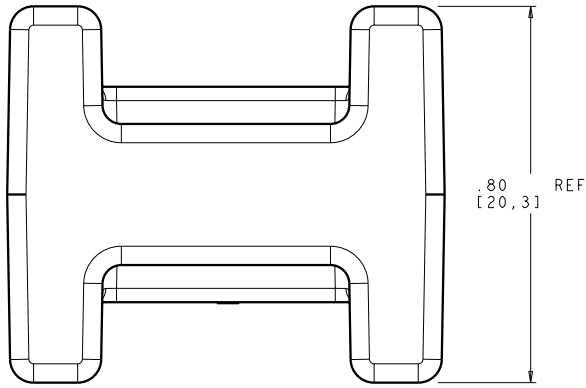
Email & Skype: info@chipsmall.com Web: www.chipsmall.com

Address: A1208, Overseas Decoration Building, #122 Zhenhua RD., Futian, Shenzhen, China

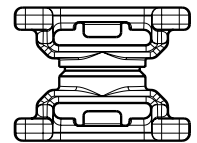
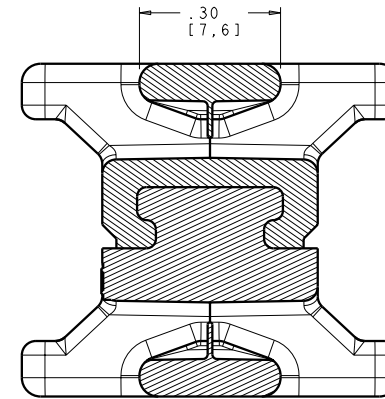
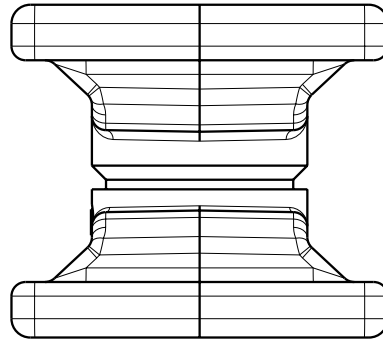
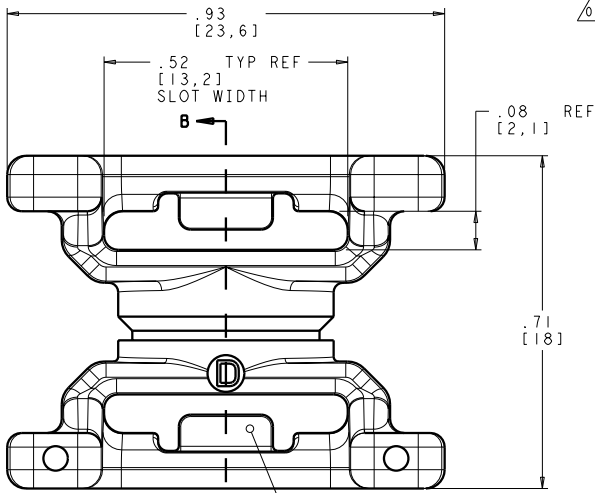


\*ROTATED

AS MOLDED



- FEATURES:
- \* SADDLES ROTATE TO ANY ANGLE AND MAINTAIN SEPARATION BETWEEN CROSSING BUNDLES
  - PROVIDES AN APPROXIMATE 0.71" SPACING BETWEEN 2 BUNDLES
  - 100 lb MIN PULL APART FORCE
  - ROTATIONAL FORCE OF 4.0 IN-LBS MAX
  - ACCEPTS MOST STANDARD CABLE TIES UP TO 1/2" WIDE



SCALE 1/1

SECTION B-B

FRICITION TAB X2

INVENTORS

**HellermannTyton®**

ALL PROPRIETARY RIGHTS IN THE SUBJECT MATTER SHOWN ON THIS DRAWING ARE EXCLUSIVE PROPERTY OF HELLERMANN TYTON

name	date	city, state
SCOTT ADAMS	8/25/04	BURLINGTON, WI

REVISION

level	by	date	ECN #	part level
09	SJA	3/24/10	011532	D

DIMENSIONS

units	inches
.XXXX= ±0.0050/[1,127]	
.XXX= ±0.010/[1,25]	
.XX= ±0.02/[1,51]	
.X= ±0.1	
∠= ±0.5	
unless otherwise specified	

PART

number	DSWS4	phase	PRODUCTION
name	DUAL SWIVEL SADDLE SPACER SIZE 4 INSERT MOLDED		
material	THERMOPLASTIC COLOR: BLACK		

DRAWING

FORMAT	AH version	J	CAD	PRO-E	scale	5/2
computer file number			previous number			
drawn	S. ADAMS	checked	G. GEIGER	approved		
date	8/26/04	checked	2/11/05	approved		
type	CUSTOMER				sheet	1 of 1
number	MT2024053CST					