



Chipsmall Limited consists of a professional team with an average of over 10 year of expertise in the distribution of electronic components. Based in Hongkong, we have already established firm and mutual-benefit business relationships with customers from,Europe,America and south Asia,supplying obsolete and hard-to-find components to meet their specific needs.

With the principle of “Quality Parts,Customers Priority,Honest Operation,and Considerate Service”,our business mainly focus on the distribution of electronic components. Line cards we deal with include Microchip,ALPS,ROHM,Xilinx,Pulse,ON,Everlight and Freescale. Main products comprise IC,Modules,Potentiometer,IC Socket,Relay,Connector.Our parts cover such applications as commercial,industrial, and automotives areas.

We are looking forward to setting up business relationship with you and hope to provide you with the best service and solution. Let us make a better world for our industry!



Contact us

Tel: +86-755-8981 8866 Fax: +86-755-8427 6832

Email & Skype: info@chipsmall.com Web: www.chipsmall.com

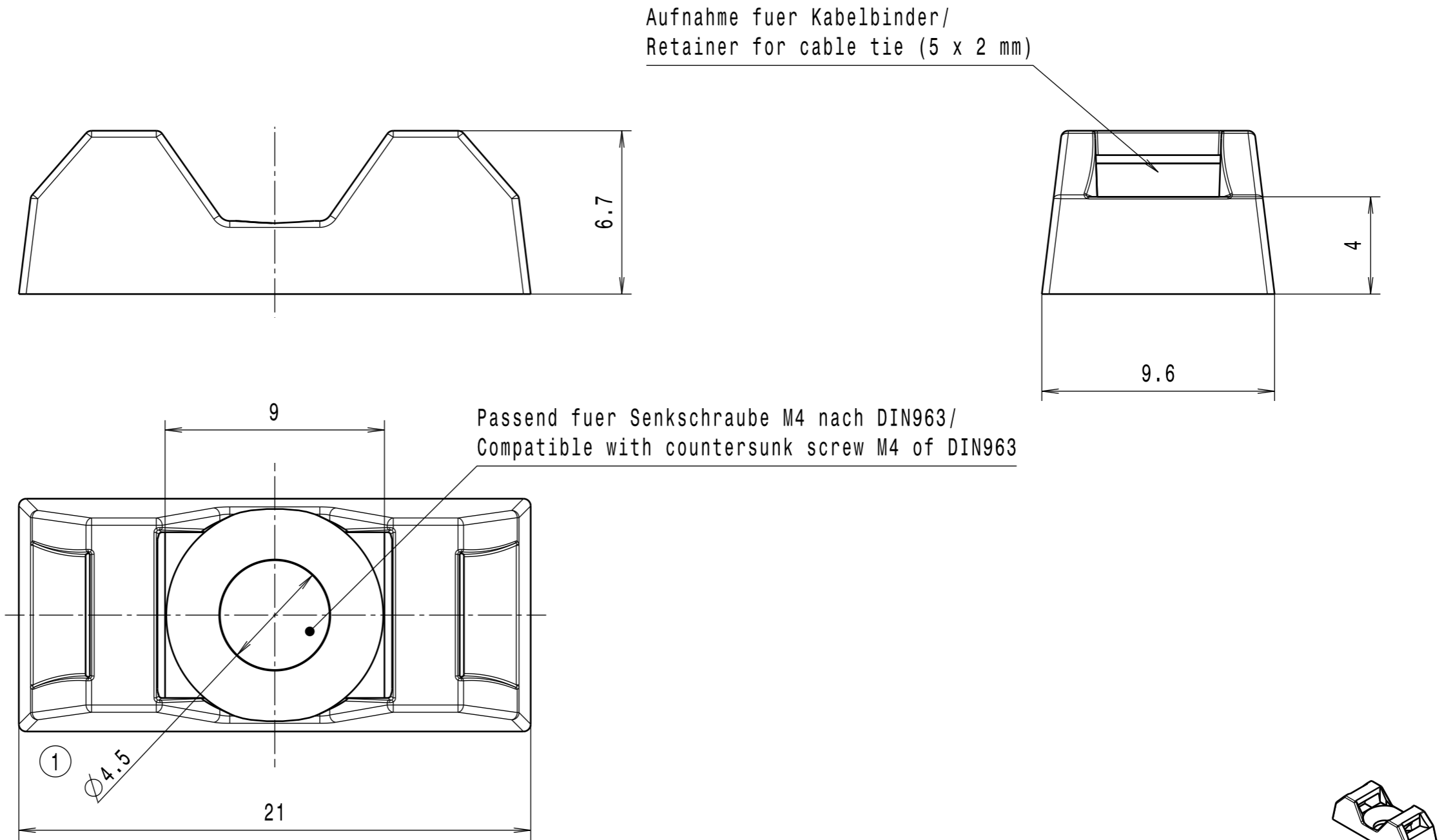
Address: A1208, Overseas Decoration Building, #122 Zhenhua RD., Futian, Shenzhen, China



| | |
|--------------------------------------------------------------------------------------------------------------------------------------|-------|
| CATIA V5 | |
| Weight Poids Gewicht 0.4 g | |
| Intended For Welded Screw Ø Pour Goujon Soudé à Filets Couchés Ø Aufnahme fuer Schweissbolzen Ø - | |
| Tensile Force (N) Tenue au serrage (N) Schlaufenhaltekraft (N) - | |
| Hole Size Trou Ø Loch Ø - | |
| Panel Thickness Epaisseur Support Blechdicke - | |
| Bundle Ø Toron Ø Buendel Ø - | |
| Material Matière Werkstoff PA6.6 | |
| Tolerances Dimension without tolerances: Tolérances Cotes sans tolérances: Toleranzen Masse ohne Toleranzangaben : | |
| Angle/ Winkel | ± 3° |
| ≤ 6 | ± 0,3 |
| ≤ 30 | ± 0,5 |
| ≤ 60 | ± 0,7 |
| ≤ 120 | ± 1,5 |
| ≤ 400 | ± 5 |
| ≤ 1000 | ± 10 |
| PERFORMANCE SPECIFICATION AUSFUEHRUNG SPEZIFIKATION | |

Durch das Herstellverfahren bedingte Geometrieaenderungen (Anspritzung, Auswerfermarkierungen, etc.) zulaessig. Einzelheiten der Ausfuehrung bleiben dem Hersteller ueberlassen. / The manufacturing-related geometry changes (injection point, ejectors marks, etc.) allowed. Design of the details are left to suppliers discretion.

| Revision level Indice Aenderungsstand | | Revision Record Désignation Beschreibung der Aenderung | Changed Modifié Geaendert | Date Datum | Approved Approuvé Geprueft | Date Datum |
|---------------------------------------------|------------------------|--------------------------------------------------------------|---------------------------------|---------------|----------------------------------|---------------|
| Drawing Dessin Zeichnung | Part Pièce Solid | | | | | |
| 1 | 1 | Durchmesser 4,5 war Ø5mm | E. Mueller | 25.05.11 | B. Schiwiek | 25.05.11 |



Ausdruck nur zur Information /
 Printed copy for information only

| | | | | |
|---------------------------------------------------------------------------------------------------------------------------------------------------------------------------------------------------------------------------------------------------------------------------------------------------------------------------------------------------------------------------------------------------------------------------------------------------------------------------------------------------------------------------------------------------------------------------------------------------------------------------------------------------------------------------------------------------------------------------------------------------------------------------------------------------|------------------------------------------------------------------|-----------------|-------------------------------------------------------------------------|---------------------------------------------------------------------------|
| The copyright of this drawing is reserved by HELLERMANN TYTON. It is issued on condition that it is not reproduced, copied or disclosed to a third party, either wholly or in part, without the consent of HELLERMANN TYTON. La propriété de ce plan est réservée à la société HELLERMANN TYTON. Il est distribué à condition qu'il ne soit pas reproduit, communiqué ou révélé à une tierce partie, soit complètement ou en partie, sans le consentement de la société HELLERMANN TYTON. Weitergabe sowie Vervielfaeltigung dieser Unterlage, Verwertung und Mitteilung ihres Inhalts nicht gestattet, soweit nicht ausdruecklich zugestanden. Zuwiderhandlungen verpflichten zu Schadenersatz. Alle Rechte fuer den Fall der Patenterteilung oder Gebrauchsmuster-Eintragung vorbehalten. | Drawn Dessiné Par Gezeichnet Gerber | 25.03.11 | Scale Echelle Maszstab 5:1, 1:1 | Project Number Numéro de projet Projektnummer GPN 10-0635 |
| | Approved Approuvé Par Geprueft Schiwiek | 25.03.11 | Title Titre Benennung CT QM5 | |
| HellermannTyton Manchester Telephone: +44 (0) 161 945 4181 Facsimile: +44 (0) 161 947 2228 Trappes Téléphone: +33 (0) 1 30 13 80 00 Télécopie: +33 (0) 1 30 13 80 60 Tornesch Telefon: +49 (0) 41 22 / 701 - 1 Telefax: +49 (0) 41 22 / 701 - 400 | Drawing-No Plan-No Zeichnungs-Nr 10-0635-001-CSG | | Format D.Size A3 Sheet Page Blatt 1 / 1 | |