



Chipsmall Limited consists of a professional team with an average of over 10 year of expertise in the distribution of electronic components. Based in Hongkong, we have already established firm and mutual-benefit business relationships with customers from,Europe,America and south Asia,supplying obsolete and hard-to-find components to meet their specific needs.

With the principle of "Quality Parts,Customers Priority,Honest Operation,and Considerate Service",our business mainly focus on the distribution of electronic components. Line cards we deal with include Microchip,ALPS,ROHM,Xilinx,Pulse,ON,Everlight and Freescale. Main products comprise IC,Modules,Potentiometer,IC Socket,Relay,Connector.Our parts cover such applications as commercial,industrial, and automotives areas.

We are looking forward to setting up business relationship with you and hope to provide you with the best service and solution. Let us make a better world for our industry!



## Contact us

Tel: +86-755-8981 8866 Fax: +86-755-8427 6832

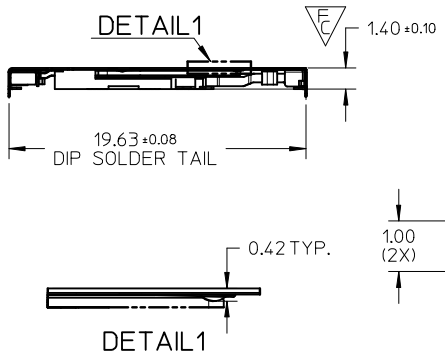
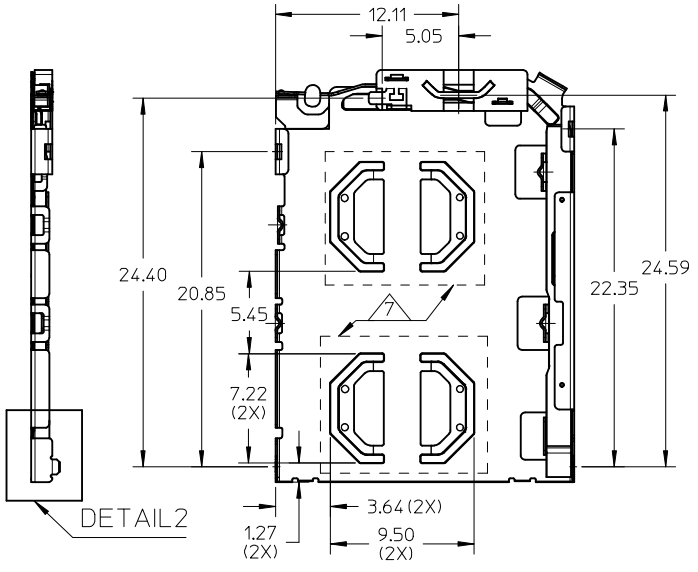
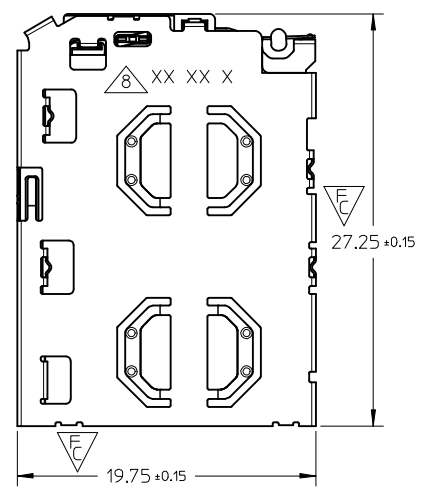
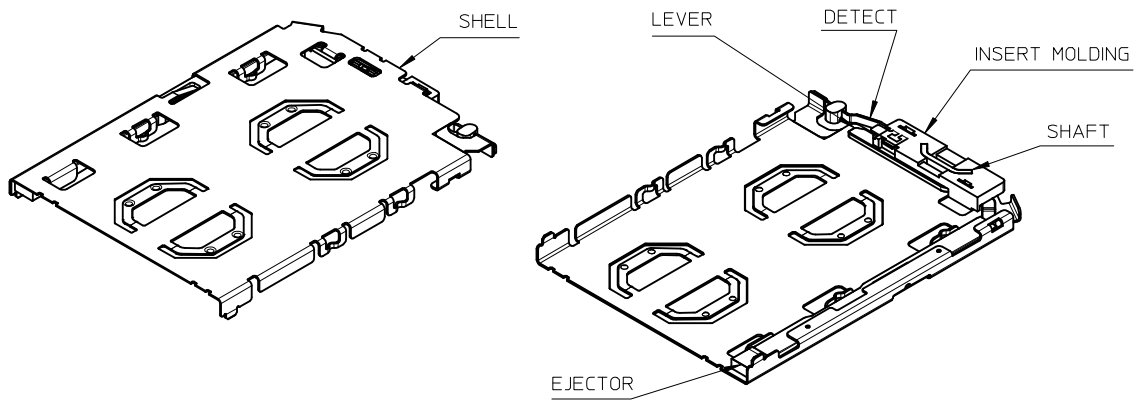
Email & Skype: info@chipsmall.com Web: www.chipsmall.com

Address: A1208, Overseas Decoration Building, #122 Zhenhua RD., Futian, Shenzhen, China



10 9 8 7 6 5 4 3 2 1

THIS DESIGN IS BASED ON DESIGN OBJECTIVES AND IS STRICTLY TENTATIVE. IT MAY CHANGE BASED ON RESULTS OF ADDITIONAL DESIGN REVIEWS & VERIFICATIONS.

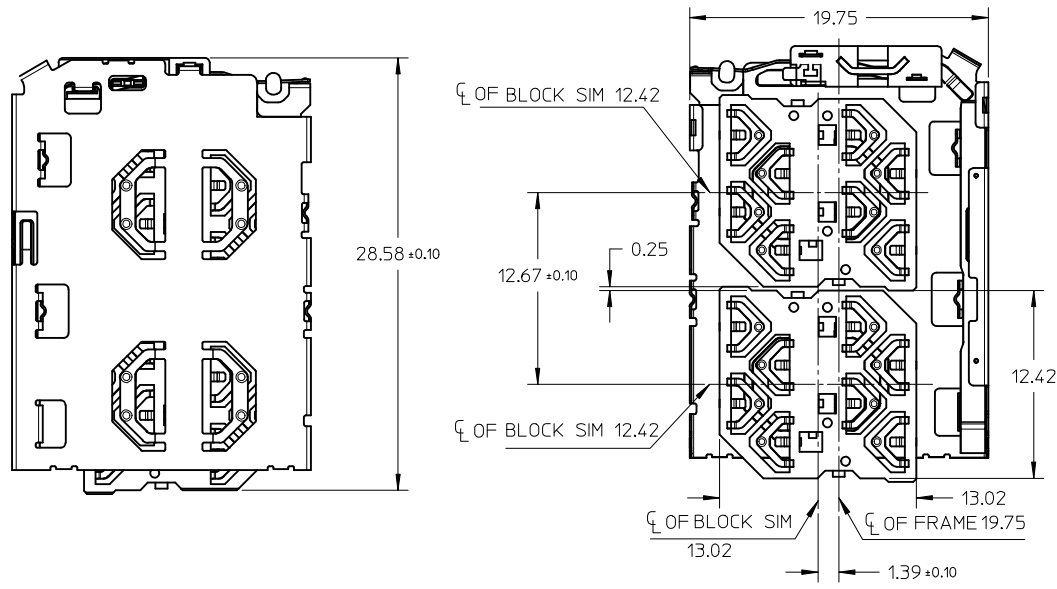


NOTES:  
 1. MATERIALS:  
 INSERT MOLD HOUSING: LCP, UL94V-0;  
 LEVER, SHAFT, EJECTOR, SHELL: STAINLESS STEEL;  
 DETECT SPRING: COPPER ALLOY;  
 2. FINISHES:  
 DETECT SPRING:  
 1.27um MIN. NICKEL UNDERPLATING OVERALL;  
 0.127um MIN. GOLD PLATING ON CONTACT AREA;  
 1.27 um MIN. TIN PLATING ON SOLDERING TAIL;  
 SHELL:  
 1.27um MIN NICKEL UNDERPLATING OVERALL;  
 0.025um MIN GOLD PLATING ON CONTACT AREA AND SOLDERING AREA;  
 SHAFT: 1.27um MIN TIN ON SOLDERING TAIL;  
 3. PRODUCT SPECIFICATION: PS-151031-001;  
 4. PACKAGING SPECIFICATION: PK-151031-001;PK-151032-001  
 5. SOLDER TAIL COPLANARITY: 0.10 MM MAX BEFORE REFLOW  
 6. THIS PART IS A FRAME ONLY, IT SHOULD BE USED TOGETHER WITH 0.35MM BLOCK SIM 151032 FOR AN ENTIRE SIM POP OUT SYSTEM;  
 7. 0.10 MINIMUM KEEP OUT ZONE FROM TOP SURFACE OF SHELL DURING INSERTION AND WITHDRAWAL OF TRAY (WITH SIM CARD)  
 8. DATE CODE PRINTED: XX XX X  
 DAY  
 WEEK  
 YEAR

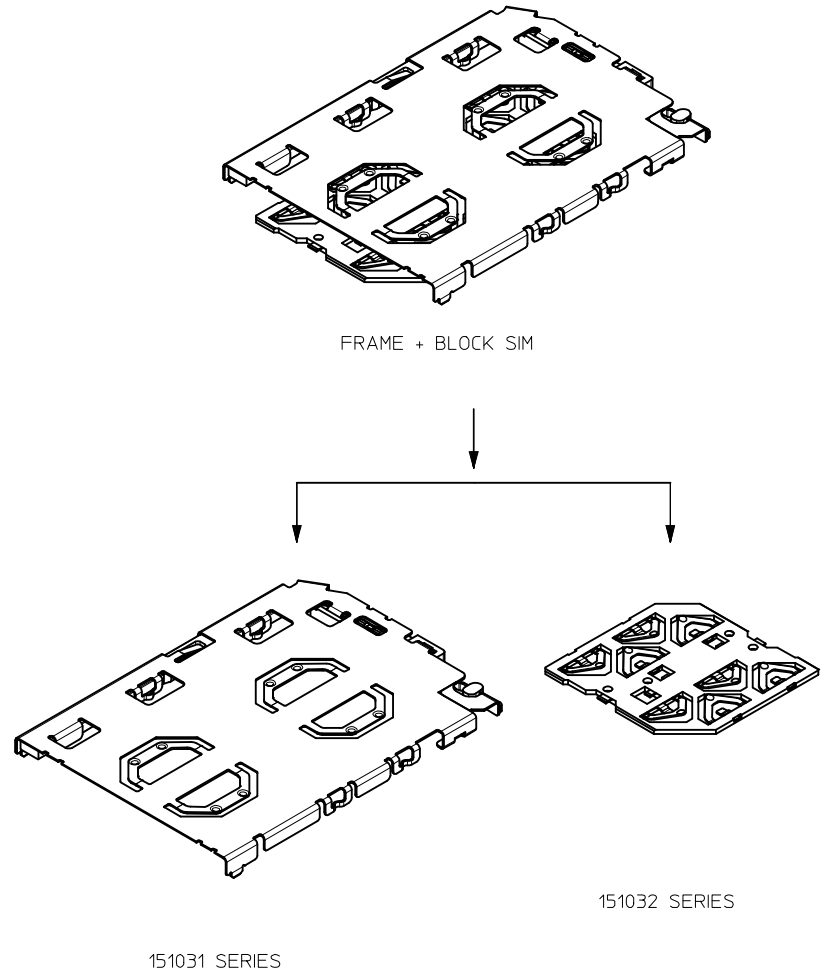
CHANGE BLOCK SIM AND TRAY EC NO: S2014-0434 DRWN: JZENG 2013/11/04 CHKD: JTAN02 2014/01/02 APPR: KHLIM 2014/01/27	QUALITY SYMBOLS	GENERAL TOLERANCES (UNLESS SPECIFIED)		DIMENSION STYLE MM ONLY		SCALE NTS	DESIGN UNITS METRIC	THIRD ANGLE PROJECTION
	$F_A=0$	mm	INCH	DRAWN BY	DATE	TITLE		
	$F_C=4$	4 PLACES ± --- ± ---	JZENG 2013/11/04	DUAL MICRO SIM FRAME			1.40 H	
	$F_B=0$	3 PLACES ± --- ± ---	CHECKED BY	DATE	molex			SHEET NO.
	2 PLACES ± 0.20 ± ---	JTAN02 2013/12/05	SD-151031-0001			1 OF 5		
	1 PLACE ± 0.20 ± ---	APPROVED BY	DATE	THIS DRAWING CONTAINS INFORMATION THAT IS PROPRIETARY TO MOLEX INCORPORATED AND SHOULD NOT BE USED WITHOUT WRITTEN PERMISSION				
	0 PLACE ± --- ± ---	KHLIM 2014/01/27						
	ANGULAR ± 3 °	MATERIAL NO.		DOCUMENT NO.				
	DRAFT WHERE APPLICABLE MUST REMAIN WITHIN DIMENSIONS	1510310001		SD-151031-0001				
		SIZE						
		A3						

9 8 7 6 5 4 3 2 1

SIM CONNECTOR  
(WITH 151032 BLOCK SIM CONNECTOR)



SIM CONNECTOR BOM



THIS DESIGN IS BASED ON DESIGN OBJECTIVES AND IS STRICTLY TENTATIVE. IT MAY CHANGE BASED ON RESULTS OF ADDITIONAL DESIGN REVIEWS & VERIFICATIONS.

SEE SHEET 1	DESCRIPTION
EC NO: S2014-0434	2013/11/04
DRWN: JZENG	2014/01/02
CHKD: JTAN02	2014/01/27
APPR: KHL IM	
7	

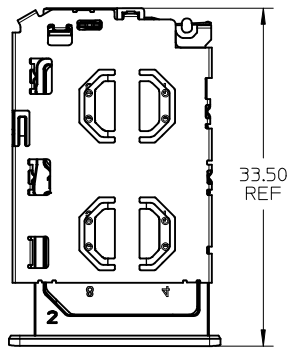
QUALITY SYMBOLS	GENERAL TOLERANCES (UNLESS SPECIFIED)
$F_A=0$	mm INCH
$F_B=0$	4 PLACES ± --- ± ---
$F_C=0$	3 PLACES ± --- ± ---
$F_D=0$	2 PLACES ± 0.20 ± ---
	1 PLACE ± 0.20 ± ---
	0 PLACE ± --- ± ---
	ANGULAR ± 3 °
	DRAFT WHERE APPLICABLE MUST REMAIN WITHIN DIMENSIONS

DIMENSION STYLE	
MM ONLY	
DRAWN BY	DATE
JZENG	2013/11/04
CHECKED BY	DATE
JTAN02	2013/12/05
APPROVED BY	DATE
KHL IM	2014/01/27
MATERIAL NO.	
1510310001	
SIZE	
A3	

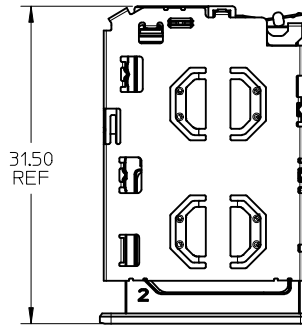
SCALE	DESIGN UNITS	THIRD ANGLE PROJECTION
NTS	METRIC	
TITLE		
DUAL MICRO SIM FRAME		
1.40 H		
DOCUMENT NO.		SHEET NO.
SD-151031-0001		2 OF 5
THIS DRAWING CONTAINS INFORMATION THAT IS PROPRIETARY TO MOLEX INCORPORATED AND SHOULD NOT BE USED WITHOUT WRITTEN PERMISSION		



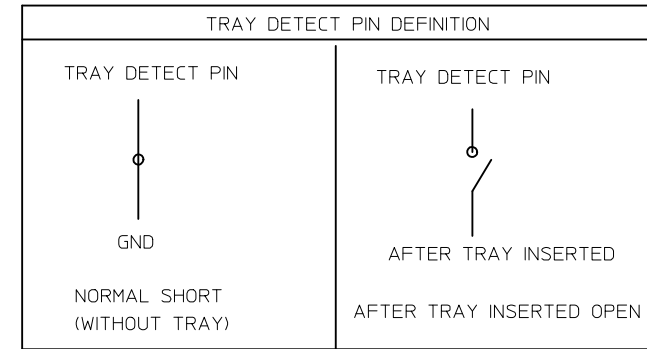
SIM CONNECTOR FRAME AND TRAY



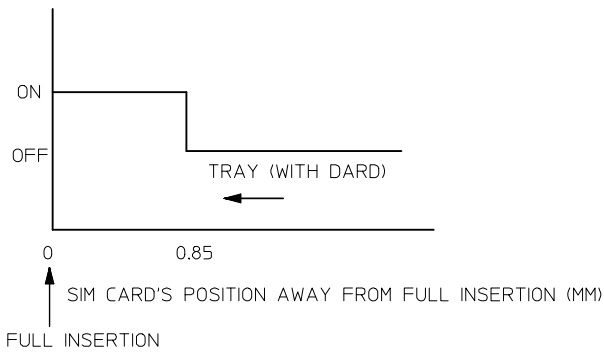
TRAY EJECTED POSITION



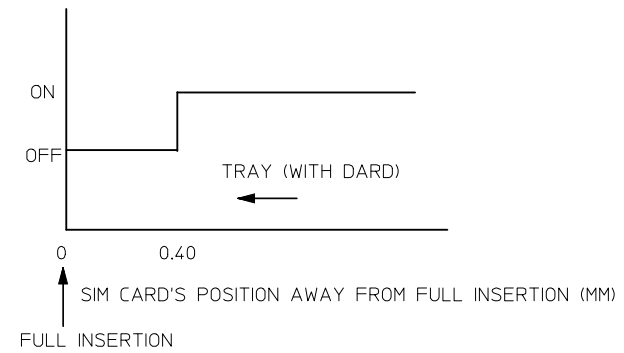
TRAY INSERTION POSITION



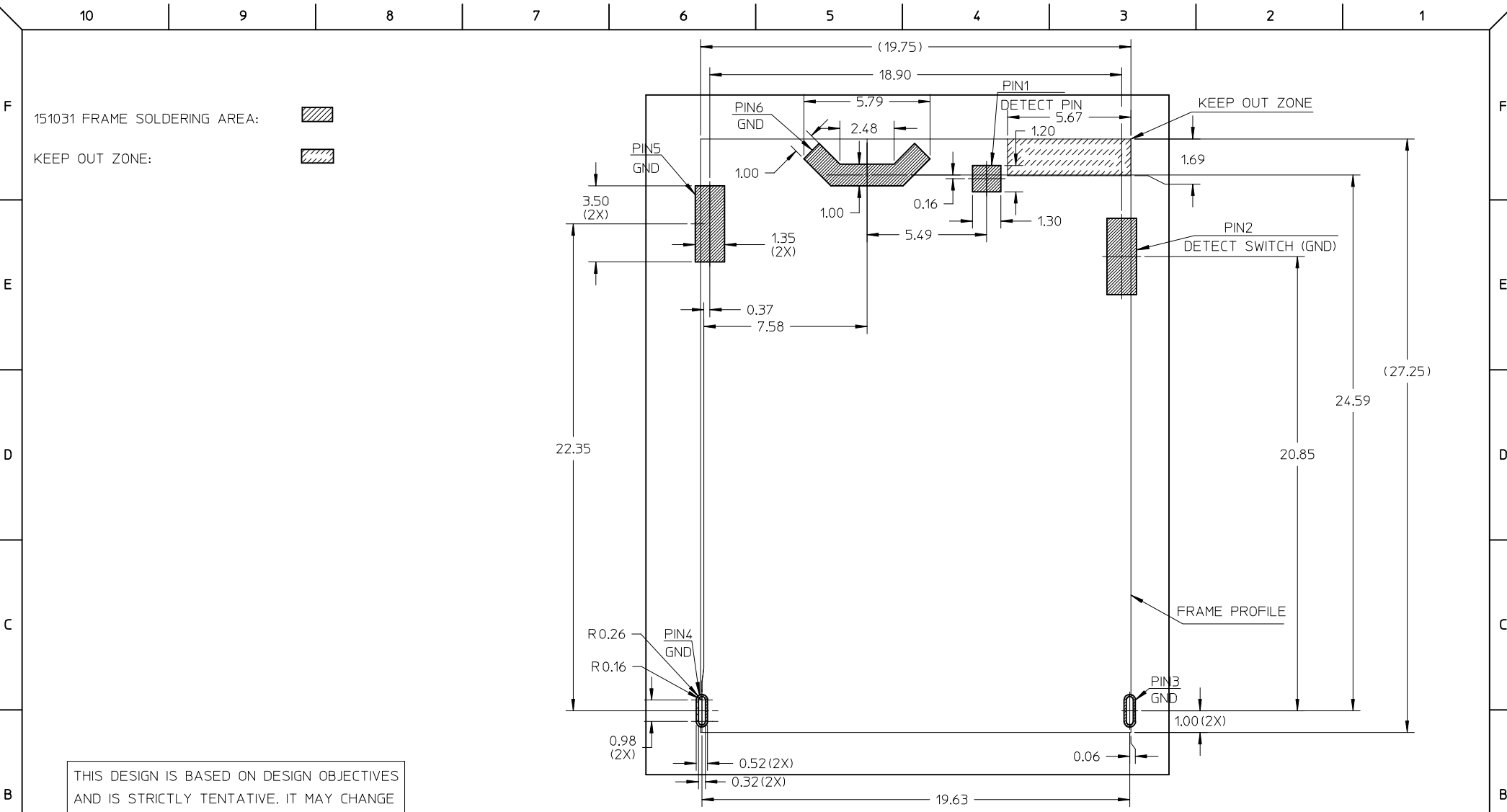
SIGNAL PIN



DETECT SWITCH PIN





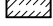
ENTER DESCRIPTION EC NO: S2014-0434 DRWN: JZENG CHKD: JTAN02 APPR: KHL IM	DESCRIPTION 2013/11/04 2014/01/02 2014/01/27	QUALITY SYMBOLS	GENERAL TOLERANCES (UNLESS SPECIFIED)		DIMENSION STYLE MM ONLY		SCALE	DESIGN UNITS METRIC	THIRD ANGLE PROJECTION	
		$F_A=0$ $F_G=0$ $F_P=0$	mm	INCH	DRAWN BY	DATE	TITLE	DUAL MICRO SIM FRAME 1.40 H <b>molex</b>		
		4 PLACES	± ---	± ---	JZENG	2013/11/04				
			3 PLACES	± ---	± ---	CHECKED BY	DATE			
	2 PLACES	± 0.20	± ---	JTAN02	2013/12/05					
	1 PLACE	± 0.20	± ---	APPROVED BY	DATE					
	0 PLACE	± ---	± ---	KHL IM	2014/01/27					
		ANGULAR ± 3 °		MATERIAL NO.	DOCUMENT NO.	SHEET NO.				
		DRAFT WHERE APPLICABLE MUST REMAIN WITHIN DIMENSIONS		1510310001	SD-151031-0001	3 OF 5				
				SIZE A3	THIS DRAWING CONTAINS INFORMATION THAT IS PROPRIETARY TO MOLEX INCORPORATED AND SHOULD NOT BE USED WITHOUT WRITTEN PERMISSION					

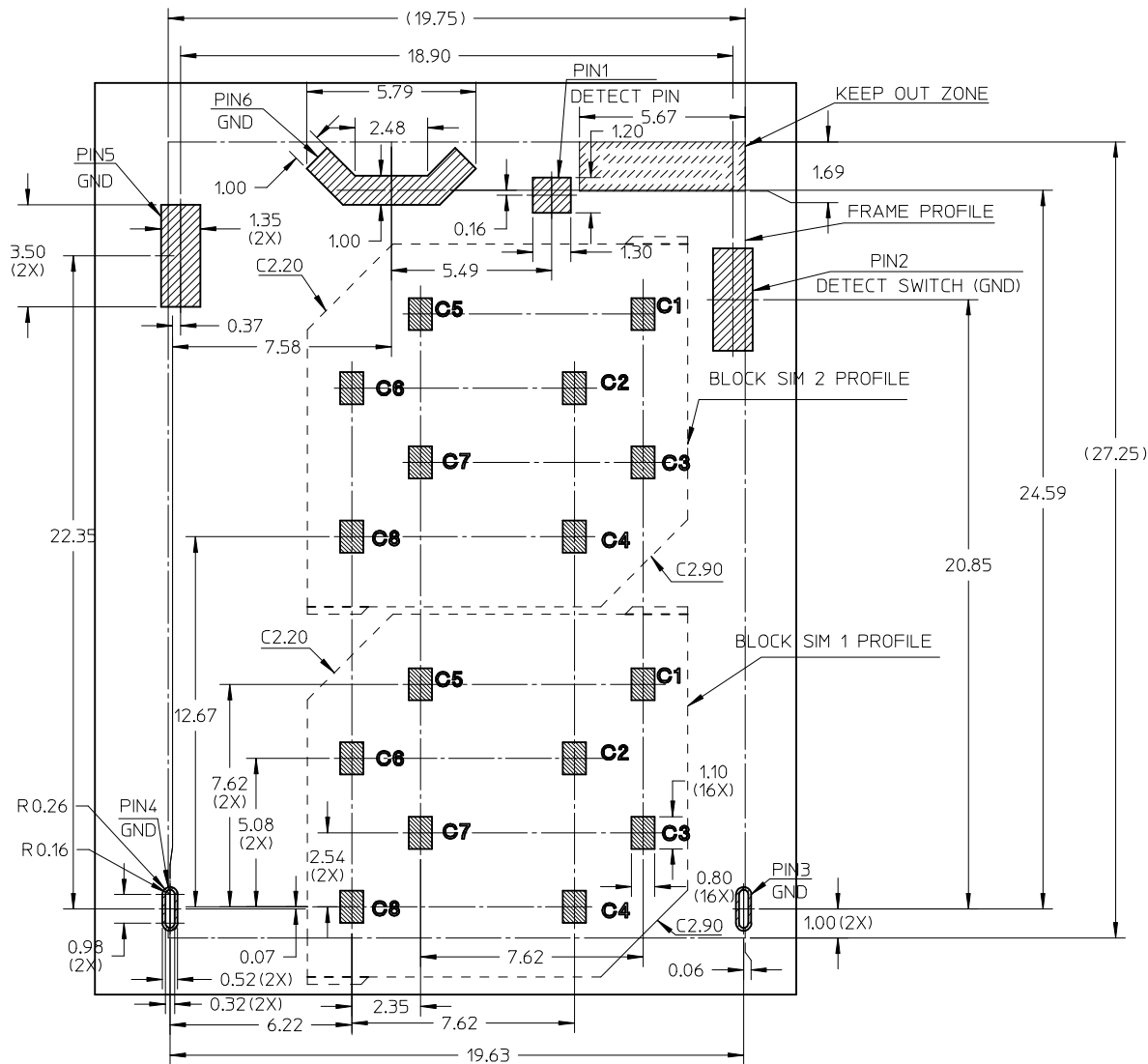


THIS DESIGN IS BASED ON DESIGN OBJECTIVES AND IS STRICTLY TENTATIVE. IT MAY CHANGE BASED ON RESULTS OF ADDITIONAL DESIGN REVIEWS & VERIFICATIONS.

RECOMMENDED PCB LAYOUT: TOLERANCE ±0.05  
 RECOMMENDED PCB THICKNESS: 0.80MM  
 RECOMMENDED STENCIL THICKNESS: 0.10MM

SEE SHEET 1 EC NO: S2014-0434 DRWN: JZENG CHKD: JTAN02 APPR: KHL IM	QUALITY SYMBOLS	GENERAL TOLERANCES (UNLESS SPECIFIED)		DIMENSION STYLE MM ONLY		SCALE NTS	DESIGN UNITS METRIC	THIRD ANGLE PROJECTION	
	$F_A=0$	mm	INCH	DRAWN BY	DATE	TITLE			
	$F_C=0$	4 PLACES ± ---	± ---	JZENG	2013/11/04	DUAL MICRO SIM FRAME 1.40 H			
	$F_D=0$	3 PLACES ± ---	± ---	CHECKED BY	DATE				
	$F_P=0$	2 PLACES ± 0.20	± ---	JTAN02	2013/12/05				
		1 PLACE ± 0.20	± ---	APPROVED BY	DATE				
		0 PLACE ± ---	± ---	KHL IM	2014/01/27				
	ANGULAR ± 3 °		MATERIAL NO.		DOCUMENT NO.		SHEET NO.		
	DRAFT WHERE APPLICABLE MUST REMAIN WITHIN DIMENSIONS		1510310001		SD-151031-0001		4 OF 5		
	SIZE A3 THIS DRAWING CONTAINS INFORMATION THAT IS PROPRIETARY TO MOLEX INCORPORATED AND SHOULD NOT BE USED WITHOUT WRITTEN PERMISSION								

151031 FRAME SOLDERING AREA:   
 151032 BLOCK SIM SOLDERING AREA:   
 KEEP OUT ZONE: 

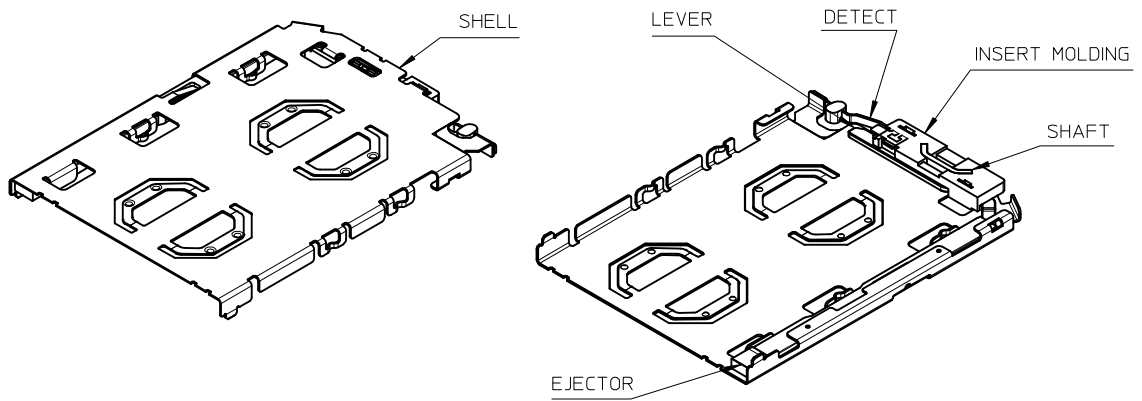


THIS DESIGN IS BASED ON DESIGN OBJECTIVES AND IS STRICTLY TENTATIVE. IT MAY CHANGE BASED ON RESULTS OF ADDITIONAL DESIGN REVIEWS & VERIFICATIONS.

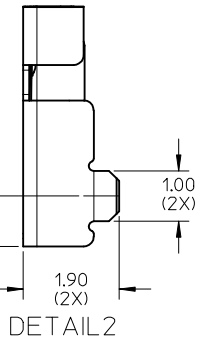
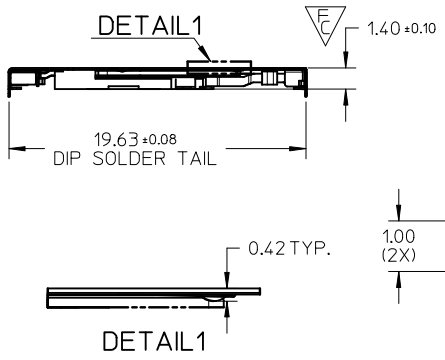
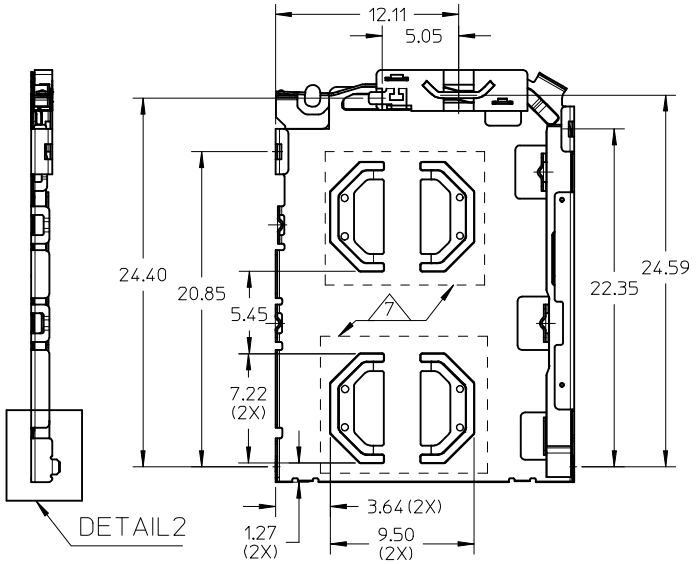
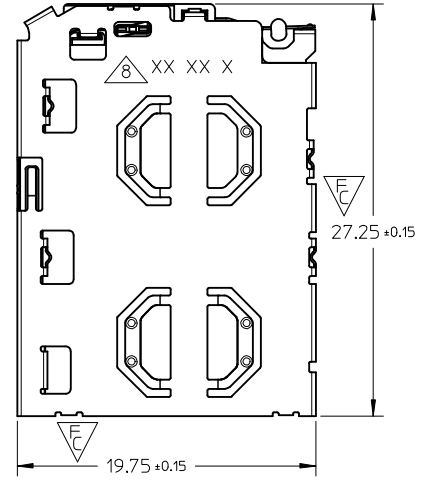
RECOMMENDED PCB LAYOUT: TOLERANCE ±0.05  
 RECOMMENDED PCB THICKNESS: 0.80MM  
 RECOMMENDED STENCIL THICKNESS: 0.10MM

SEE SHEET 1 EC NO: S2014-0434 DRWN: JZENG CHKD: JTAN02 APPR: KHL IM 2013/11/04 2014/01/02 2014/01/27	QUALITY SYMBOLS	GENERAL TOLERANCES (UNLESS SPECIFIED)	DIMENSION STYLE	SCALE	DESIGN UNITS	THIRD ANGLE PROJECTION
	$F_A=0$ $F_C=0$ $F_P=0$	mm INCH 4 PLACES ± --- ± --- 3 PLACES ± --- ± --- 2 PLACES ± 0.20 ± --- 1 PLACE ± 0.20 ± --- 0 PLACE ± --- ± ---	MM ONLY	NTS	METRIC	
	DESCRIPTION	ANGULAR ± 3 °	DRAWN BY	DATE	TITLE	DUAL MICRO SIM FRAME 1.40 H
		DRAFT WHERE APPLICABLE MUST REMAIN WITHIN DIMENSIONS	JZENG	2013/11/04		
			CHECKED BY	DATE		
			JTAN02	2013/12/05		
			APPROVED BY	DATE		
		KHL IM	2014/01/27			
		MATERIAL NO.	1510310001	DOCUMENT NO.	SD-151031-0001	SHEET NO. 5 OF 5
		SIZE	THIS DRAWING CONTAINS INFORMATION THAT IS PROPRIETARY TO MOLEX INCORPORATED AND SHOULD NOT BE USED WITHOUT WRITTEN PERMISSION			
		A3				

THIS DESIGN IS BASED ON DESIGN OBJECTIVES AND IS STRICTLY TENTATIVE. IT MAY CHANGE BASED ON RESULTS OF ADDITIONAL DESIGN REVIEWS & VERIFICATIONS.

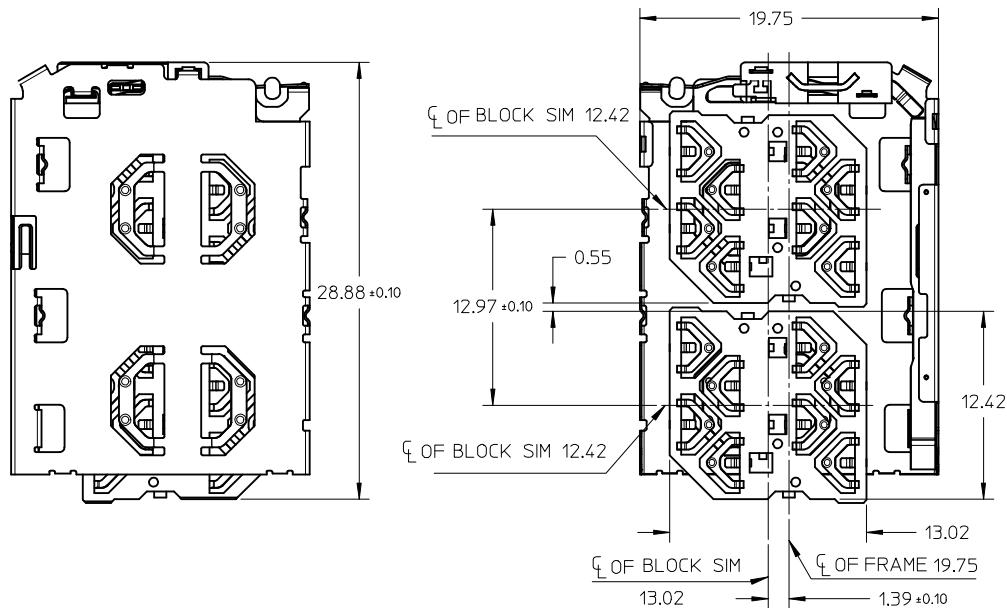


- NOTES:
- MATERIALS:  
INSERT MOLD HOUSING: LCP, UL94V-0;  
LEVER, SHAFT, EJECTOR, SHELL: STAINLESS STEEL;  
DETECT SPRING: COPPER ALLOY;
  - FINISHES:  
DETECT SPRING:  
1.27um MIN. NICKEL UNDERPLATING OVERALL;  
0.127um MIN. GOLD PLATING ON CONTACT AREA;  
1.27 um MIN. TIN PLATING ON SOLDERING TAIL;  
SHELL:  
1.27um MIN NICKEL UNDERPLATING OVERALL;  
0.025um MIN GOLD PLATING ON CONTACT AREA AND SOLDERING AREA;  
SHAFT: 1.27um MIN TIN ON SOLDERING TAIL;
  - PRODUCT SPECIFICATION: PS-151031-001;
  - PACKAGING SPECIFICATION: PK-151031-001;PK-151032-001
  - SOLDER TAIL COPLANARITY: 0.10 MM MAX BEFORE REFLOW
  - THIS PART IS A FRAME ONLY, IT SHOULD BE USED TOGETHER WITH 0.35MM BLOCK SIM 151032 FOR AN ENTIRE SIM POP OUT SYSTEM;
  - 0.10 MINIMUM KEEP OUT ZONE FROM TOP SURFACE OF SHELL DURING INSERTION AND WITHDRAWAL OF TRAY (WITH SIM CARD)
  - DATE CODE PRINTED: XX XX X  
    - DAY
    - WEEK
    - YEAR

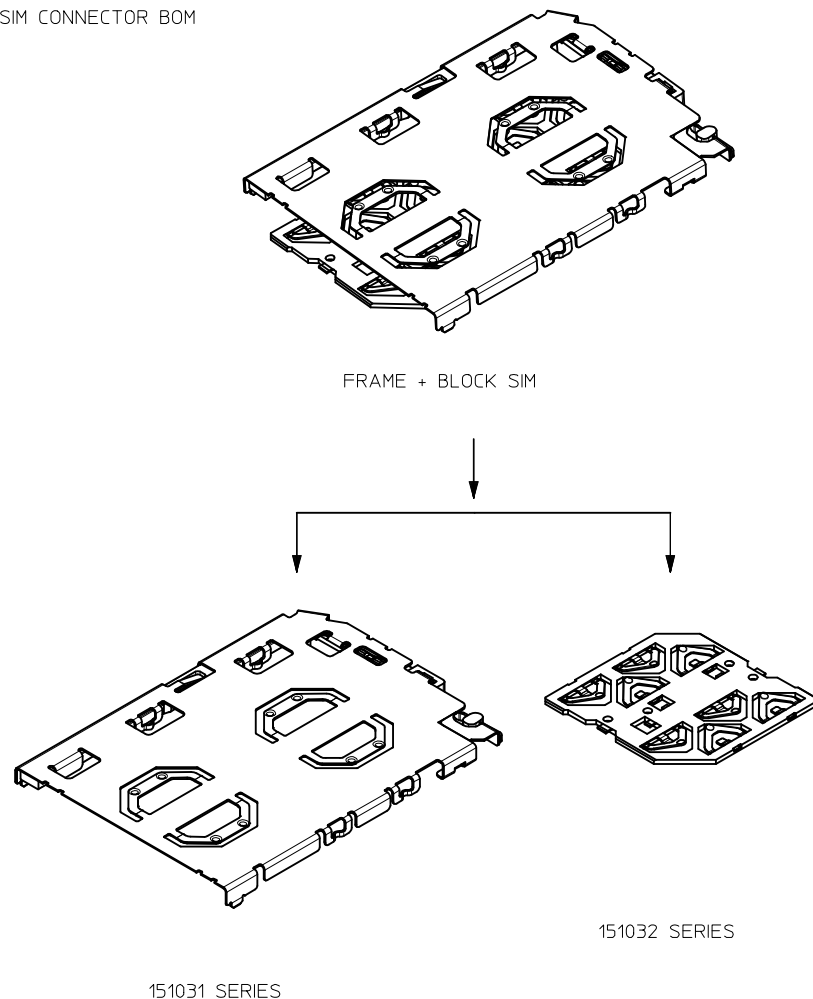


UPDATED DRAWING EC NO: S2014-0434 DRWN: JZENG 2013/12/13 CHKD: JTAN02 2014/01/02 APPR: KHLIM 2014/01/27	QUALITY SYMBOLS F <sub>A</sub> =0 F <sub>C</sub> =4 F <sub>P</sub> =0	GENERAL TOLERANCES (UNLESS SPECIFIED)		DIMENSION STYLE	SCALE	DESIGN UNITS	THIRD ANGLE PROJECTION	
				MM ONLY	NTS	METRIC		
				DRAWN BY	DATE	TITLE		
				CHECKED BY	DATE	DUAL MICRO SIM FRAME 1.40H		
		APPROVED BY		DATE				
		KHLIM		2014/01/27				
		MATERIAL NO.		DOCUMENT NO.	SHEET NO.			
		1510310001		SD-151031-0002	1 OF 4			
		SIZE		THIS DRAWING CONTAINS INFORMATION THAT IS PROPRIETARY TO MOLEX INCORPORATED AND SHOULD NOT BE USED WITHOUT WRITTEN PERMISSION				
		A3						

SIM CONNECTOR  
(WITH 151032 BLOCK SIM CONNECTOR)



SIM CONNECTOR BOM



THIS DESIGN IS BASED ON DESIGN OBJECTIVES AND IS STRICTLY TENTATIVE. IT MAY CHANGE BASED ON RESULTS OF ADDITIONAL DESIGN REVIEWS & VERIFICATIONS.

SEE SHEET 1 EC NO: S2014-0434 DRWN: JZENG CHKD: JIAN02 APPR: KHL IM	2013/12/13	DESCRIPTION	QUALITY SYMBOLS
	2014/01/02		$F_A = 0$
	2014/01/27		$F_G = 0$
			$F_P = 0$

GENERAL TOLERANCES (UNLESS SPECIFIED)	
	mm INCH
4 PLACES	± --- ± ---
3 PLACES	± --- ± ---
2 PLACES	± 0.20 ± ---
1 PLACE	± 0.20 ± ---
0 PLACE	± --- ± ---
ANGULAR ± 3 °	
DRAFT WHERE APPLICABLE MUST REMAIN WITHIN DIMENSIONS	

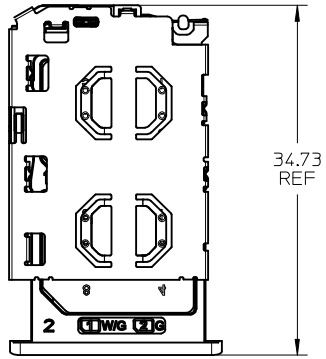
DIMENSION STYLE MM ONLY	
DRAWN BY JZENG	DATE 2013/12/13
CHECKED BY	DATE
APPROVED BY KHL IM	DATE 2014/01/27
MATERIAL NO. 1510310001	
SIZE A3	

SCALE NTS	DESIGN UNITS METRIC	THIRD ANGLE PROJECTION
TITLE DUAL MICRO SIM FRAME 1.40H		
DOCUMENT NO. SD-151031-0002		SHEET NO. 2 OF 4
THIS DRAWING CONTAINS INFORMATION THAT IS PROPRIETARY TO MOLEX INCORPORATED AND SHOULD NOT BE USED WITHOUT WRITTEN PERMISSION		

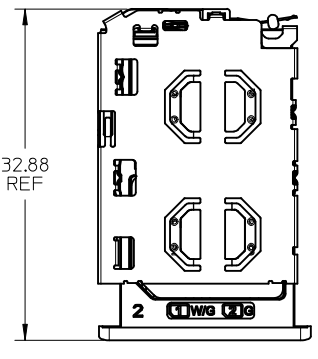




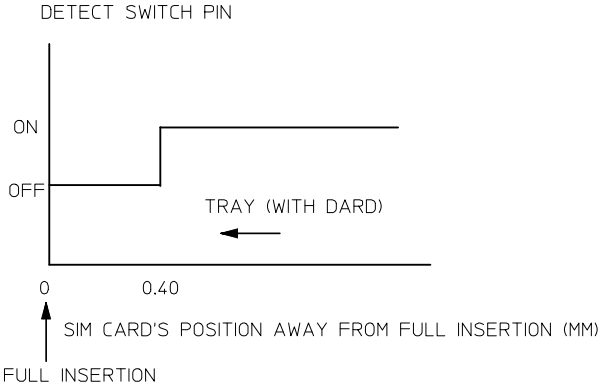
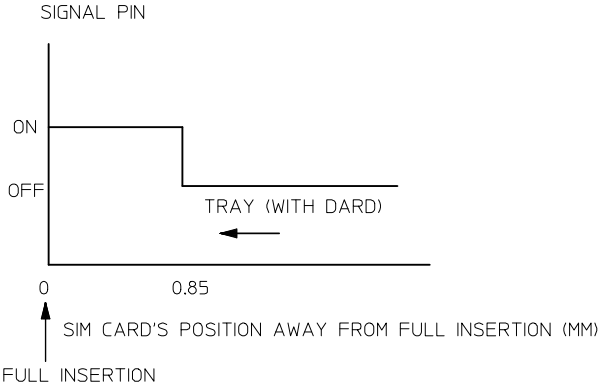
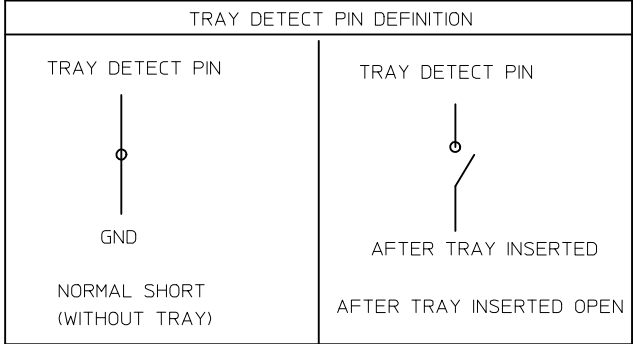
SIM CONNECTOR FRAME AND TRAY



TRAY EJECTED POSITION



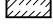


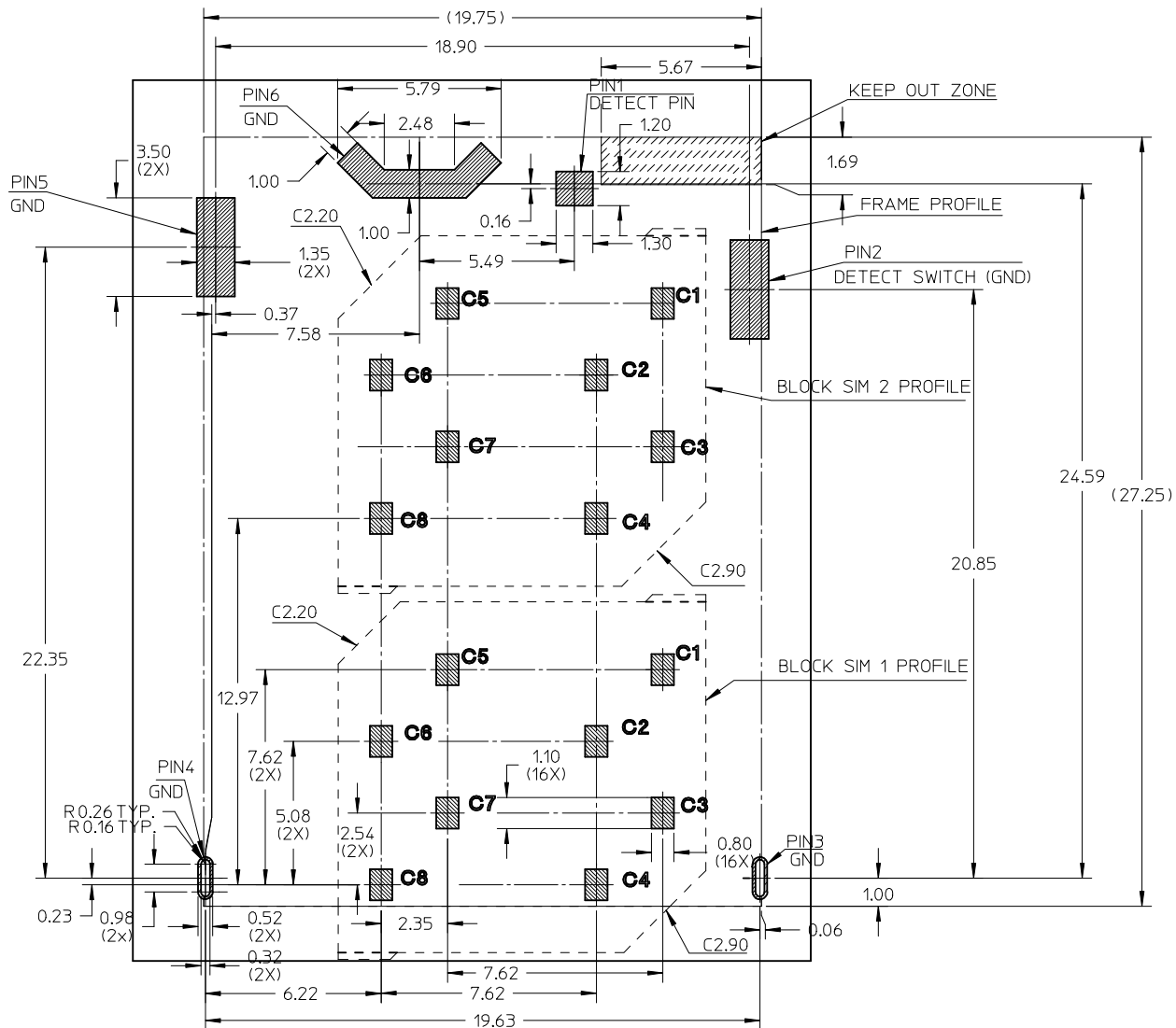
TRAY INSERTION POSITION



SEE SHEET 1 EC NO: S2014-0434 DRWN: JZENG CHKD: JIAN02 APPR: KHL IM	2013/12/13 2014/01/02 2014/01/27	DESCRIPTION REV	QUALITY SYMBOLS	GENERAL TOLERANCES (UNLESS SPECIFIED)	DIMENSION STYLE	SCALE	DESIGN UNITS	THIRD ANGLE PROJECTION
			$F_A=0$ $F_G=0$ $F_P=0$	mm    INCH 4 PLACES ± --- ± --- 3 PLACES ± --- ± --- 2 PLACES ± 0.20 ± --- 1 PLACE ± 0.20 ± --- 0 PLACE ± --- ± ---	MM ONLY		METRIC	TITLE DUAL MICRO SIM FRAME 1.40H
				ANGULAR ± 3 ° DRAFT WHERE APPLICABLE MUST REMAIN WITHIN DIMENSIONS	DRAWN BY: JZENG DATE: 2013/12/13 CHECKED BY: KHL IM DATE: 2014/01/27	APPROVED BY: KHL IM DATE: 2014/01/27	DOCUMENT NO. SD-151031-0002	
					MATERIAL NO. 1510310001	THIS DRAWING CONTAINS INFORMATION THAT IS PROPRIETARY TO MOLEX INCORPORATED AND SHOULD NOT BE USED WITHOUT WRITTEN PERMISSION		

10 9 8 7 6 5 4 3 2 1

151031 FRAME SOLDERING AREA:   
 151032 BLOCK SIM SOLDERING AREA:   
 KEEP OUT ZONE: 



THIS DESIGN IS BASED ON DESIGN OBJECTIVES AND IS STRICTLY TENTATIVE. IT MAY CHANGE BASED ON RESULTS OF ADDITIONAL DESIGN REVIEWS & VERIFICATIONS.

RECOMMENDED PCB LAYOUT: TOLERANCE ±0.05  
 RECOMMENDED PCB THICKNESS: 0.80MM  
 RECOMMENDED STENCIL THICKNESS: 0.10MM

SEE SHEET 1 EC NO: S2014-0434 DRWN: JZENG CHKD: JTAN02 APPR: KHL IM	2013/12/13 2014/01/02 2014/01/27	QUALITY SYMBOLS $F_A=0$ $F_G=0$ $F_P=0$	GENERAL TOLERANCES (UNLESS SPECIFIED)		DIMENSION STYLE	SCALE	DESIGN UNITS	THIRD ANGLE PROJECTION				
					MM ONLY	NTS	METRIC					
					mm	INCH	DRAWN BY	DATE	TITLE			
					4 PLACES ± --- ± ---	3 PLACES ± --- ± ---	JZENG	2013/12/13	DUAL MICRO SIM FRAME 1.40H			
		2 PLACES ± 0.20 ± ---	1 PLACE ± 0.20 ± ---	CHECKED BY	DATE							
		0 PLACE ± --- ± ---		APPROVED BY	DATE							
		ANGULAR ± 3 °		KHL IM	2014/01/27							
		DRAFT WHERE APPLICABLE MUST REMAIN WITHIN DIMENSIONS		MATERIAL NO.	DOCUMENT NO.	SHEET NO.						
				1510310001	SD-151031-0002	4 OF 4						
				SIZE A3	THIS DRAWING CONTAINS INFORMATION THAT IS PROPRIETARY TO MOLEX INCORPORATED AND SHOULD NOT BE USED WITHOUT WRITTEN PERMISSION							

9 8 7 6 5 4 3 2 1