



Chipsmall Limited consists of a professional team with an average of over 10 year of expertise in the distribution of electronic components. Based in Hongkong, we have already established firm and mutual-benefit business relationships with customers from,Europe,America and south Asia,supplying obsolete and hard-to-find components to meet their specific needs.

With the principle of “Quality Parts,Customers Priority,Honest Operation,and Considerate Service”,our business mainly focus on the distribution of electronic components. Line cards we deal with include Microchip,ALPS,ROHM,Xilinx,Pulse,ON,Everlight and Freescale. Main products comprise IC,Modules,Potentiometer,IC Socket,Relay,Connector.Our parts cover such applications as commercial,industrial, and automotives areas.

We are looking forward to setting up business relationship with you and hope to provide you with the best service and solution. Let us make a better world for our industry!



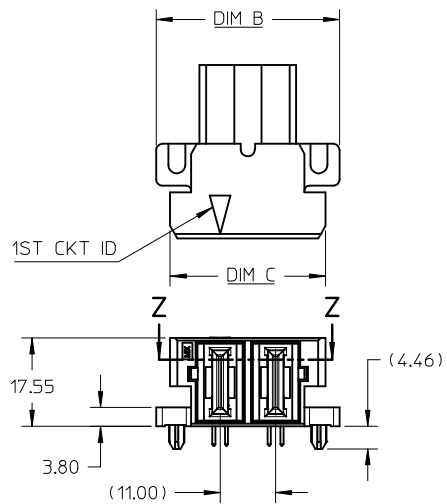
Contact us

Tel: +86-755-8981 8866 Fax: +86-755-8427 6832

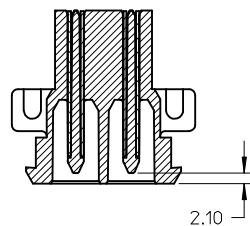
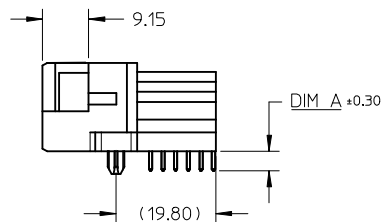
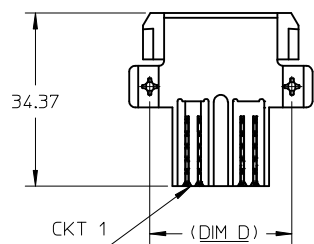
Email & Skype: info@chipsmall.com Web: www.chipsmall.com

Address: A1208, Overseas Decoration Building, #122 Zhenhua RD., Futian, Shenzhen, China



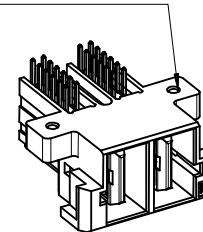


PEG MOUNT OPTIONS



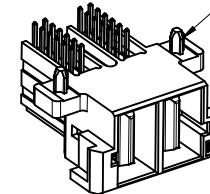
SECTION Z-Z

SCREW MOUNT VERSION

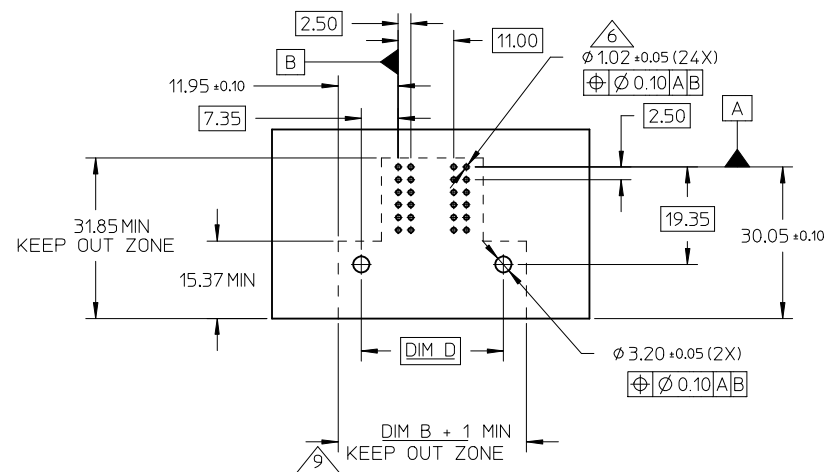


P/N/O: 151035-1***

PEG VERSION



P/N/O: 151035-0***



RECOMMENDED PCB LAYOUT (COMPONENT SIDE)

NOTE:

1. MATERIAL:
HOUSING: LCP, UL 94V-0. COLOR: BLACK
TERMINALS: COPPER ALLOY
2. PLATING:
30µ IN GOLD ON CONTACT AREA
100µ IN TIN IN THE PC TAIL AREA OVER
50µ IN NICKEL OVERALL UNDERPLATE
3. PRODUCT SPECIFICATION: PS-151053-0001
4. PARTS TO BE PACKED PER PACKAGING SPEC: PK-151035-0001
5. MATING WITH CRIMP: 46819, RECEPTACLE HOUSING SERIES 151034
6. PCB HOLES TO BE PLATED THRU HOLES.
7. CONTACTS ARE LUBRICATED.
8. RECOMMENDED SCREW: 2-32 TYPE AB X 0.300" (FOR 1.60MM PCB)
2-32 TYPE AB X 0.375" (FOR 2.36 & 3.18MM PCB)
SCREWS ARE SOLD SEPARATELY.
9. KEEP-OUT ZONE DOES NOT TAKE FINGER SPACING INTO ACCOUNT.
PLEASE MAKE SURE TO LEAVE APPROPRIATE CLEARANCE BETWEEN
LATCHES AND ADJACENT PRODUCT FOR PROPER LATCH FUNCTION.

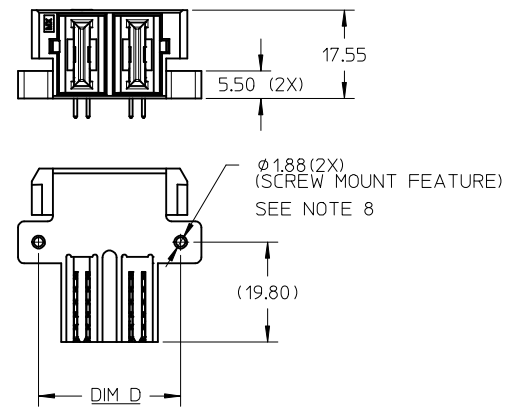
+ SCREW MT OPTIONS EC NO: S2015-1142 DRWN:CGOH 2015/04/08 CHK:DEANG 2015/06/17 APPR:KHLIM 2015/06/17	QUALITY SYMBOLS	DESCRIPTION
	$F_A=0$	
	$F_G=0$	
	$F_P=0$	
REV		

GENERAL TOLERANCES (UNLESS SPECIFIED)	
	mm INCH
4 PLACES	± --- ± ---
3 PLACES	± --- ± ---
2 PLACES	± 0.25 ± ---
1 PLACE	± 0.25 ± ---
0 PLACE	± --- ± ---
ANGULAR ± 3 °	
DRAFT WHERE APPLICABLE MUST REMAIN WITHIN DIMENSIONS	

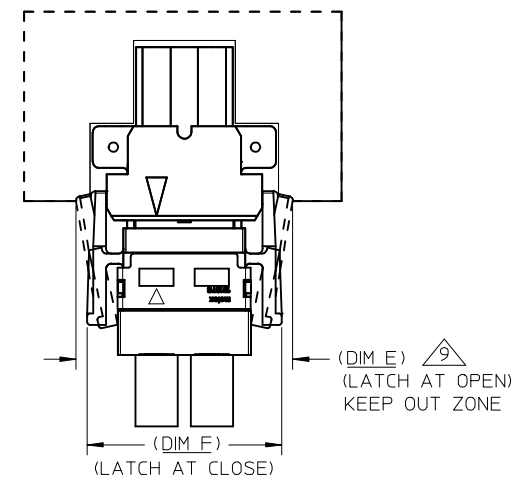
DIMENSION STYLE	
MM ONLY	
DRAWN BY	DATE
CGOH	2014/04/23
CHECKED BY	DATE
EANG	2014/10/21
APPROVED BY	DATE
KHLIM	2014/10/22
MATERIAL NO.	
SEE TABLE	
SIZE	
A3	

SCALE	DESIGN UNITS	THIRD ANGLE PROJECTION
NTS	METRIC	
TITLE		
GUARDIAN II RA PLUG ASSEMBLY 2 - 6 CKTS		
MATERIAL NO.	DOCUMENT NO.	SHEET NO.
	SD-151035-0001	1 OF 2

CKT SIZE	PART NO.	DIM A PC TAIL	PC BOARD THICKNESS	PC TAIL TYPE	GUIDE OPTION	DIM B	DIM C	DIM D	DIM E	DIM F
2 CKT	151035-0002	3.86±0.30	2.36	SOLDER TAIL	PEG	36.40	30.84	28.20	43.20	38.60
	151035-0012	4.69±0.30	3.18							
	151035-0022	3.28±0.30	1.60	COMPLIANT PIN						
	151035-1002	3.86±0.30	2.36	SOLDER TAIL	SCREW MOUNT					
	151035-1012	4.69±0.30	3.18							
151035-1022	3.28±0.30	1.60	COMPLIANT PIN							
3 CKT	151035-0003	3.86±0.30	2.36	SOLDER TAIL	PEG	47.40	41.84	39.20	54.20	49.60
	151035-0013	4.69±0.30	3.18							
	151035-0023	3.28±0.30	1.60	COMPLIANT PIN						
	151035-1003	3.86±0.30	2.36	SOLDER TAIL	SCREW MOUNT					
	151035-1013	4.69±0.30	3.18							
151035-1023	3.28±0.30	1.60	COMPLIANT PIN							
4 CKT	151035-0004	3.86±0.30	2.36	SOLDER TAIL	PEG	58.40	52.84	50.20	65.20	60.60
	151035-0014	4.69±0.30	3.18							
	151035-0024	3.28±0.30	1.60	COMPLIANT PIN						
	151035-1004	3.86±0.30	2.36	SOLDER TAIL	SCREW MOUNT					
	151035-1014	4.69±0.30	3.18							
151035-1024	3.28±0.30	1.60	COMPLIANT PIN							
5 CKT	151035-0005	3.86±0.30	2.36	SOLDER TAIL	PEG	69.40	63.84	61.20	76.20	71.60
	151035-0015	4.69±0.30	3.18							
	151035-0025	3.28±0.30	1.60	COMPLIANT PIN						
	151035-1005	3.86±0.30	2.36	SOLDER TAIL	SCREW MOUNT					
	151035-1015	4.69±0.30	3.18							
151035-1025	3.28±0.30	1.60	COMPLIANT PIN							
6 CKT	151035-0006	3.86±0.30	2.36	SOLDER TAIL	PEG	80.40	74.84	72.20	87.20	82.60
	151035-0016	4.69±0.30	3.18							
	151035-0026	3.28±0.30	1.60	COMPLIANT PIN						
	151035-1006	3.86±0.30	2.36	SOLDER TAIL	SCREW MOUNT					
	151035-1016	4.69±0.30	3.18							
151035-1026	3.28±0.30	1.60	COMPLIANT PIN							



SCREW MOUNT OPTIONS



CONNECTOR ASSEMBLY WITH RECEPTACLE CABLE.

+ SCREW MT OPTIONS EC NO: S2015-1142 DRWN:CGOH 2015/04/08 CHKD:EANG 2015/06/17 APPR:KHLIM 2015/06/17	QUALITY SYMBOLS $F_A=0$ $F_G=0$ $F_P=0$	GENERAL TOLERANCES (UNLESS SPECIFIED)		DIMENSION STYLE MM ONLY		SCALE 1:1	DESIGN UNITS METRIC	THIRD ANGLE PROJECTION		
			mm	INCH	DRAWN BY	DATE	TITLE			
		4 PLACES	± ---	± ---	CGOH	2014/04/23	GUARDIAN II RA PLUG ASSEMBLY 2 - 6 CKTS			
		3 PLACES	± ---	± ---	CHECKED BY	DATE				
2 PLACES	± 0.25	± ---	EANG	2014/10/21						
1 PLACE	± 0.25	± ---	APPROVED BY	DATE						
0 PLACE	± ---	± ---	KHLIM	2014/10/22	MATERIAL NO.		DOCUMENT NO.		SHEET NO.	
DRAFT WHERE APPLICABLE MUST REMAIN WITHIN DIMENSIONS		ANGULAR ± 3 °		SEE TABLE		SD-151035-0001		2 OF 2		
THIS DRAWING CONTAINS INFORMATION THAT IS PROPRIETARY TO MOLEX INCORPORATED AND SHOULD NOT BE USED WITHOUT WRITTEN PERMISSION										