



Chipsmall Limited consists of a professional team with an average of over 10 year of expertise in the distribution of electronic components. Based in Hongkong, we have already established firm and mutual-benefit business relationships with customers from,Europe,America and south Asia,supplying obsolete and hard-to-find components to meet their specific needs.

With the principle of “Quality Parts,Customers Priority,Honest Operation,and Considerate Service”,our business mainly focus on the distribution of electronic components. Line cards we deal with include Microchip,ALPS,ROHM,Xilinx,Pulse,ON,Everlight and Freescale. Main products comprise IC,Modules,Potentiometer,IC Socket,Relay,Connector.Our parts cover such applications as commercial,industrial, and automotives areas.

We are looking forward to setting up business relationship with you and hope to provide you with the best service and solution. Let us make a better world for our industry!



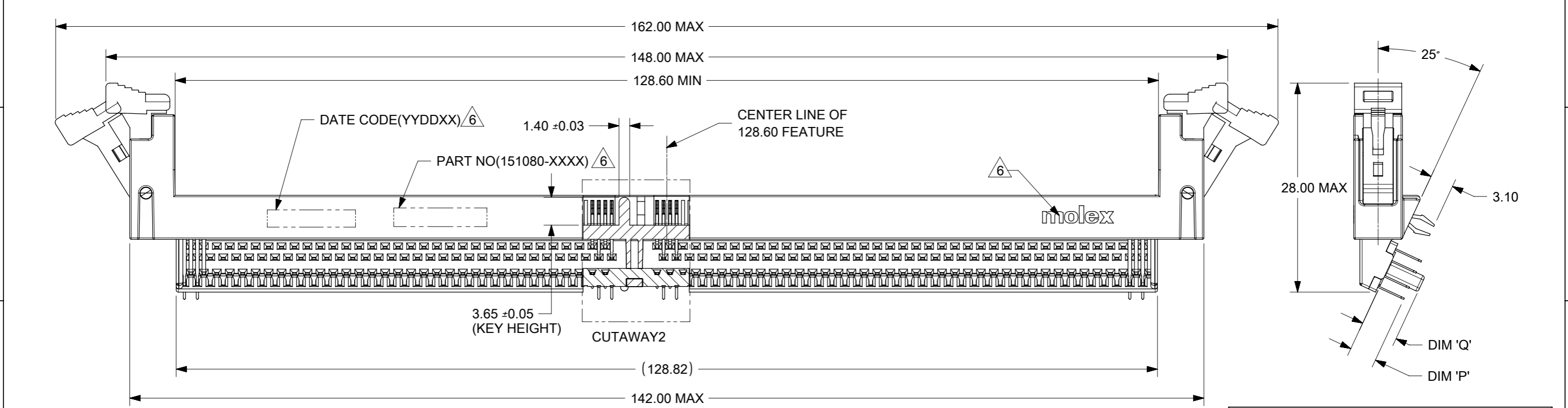
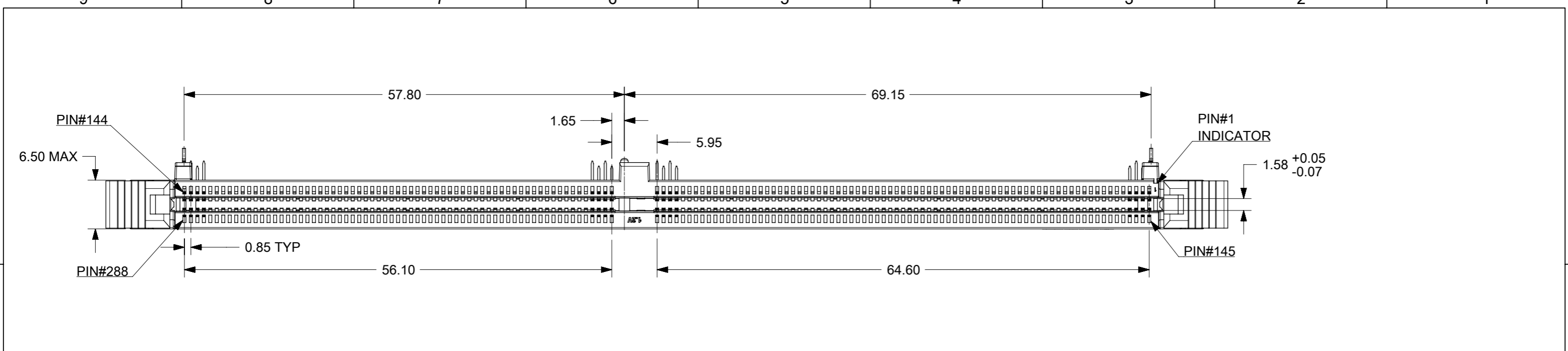
Contact us

Tel: +86-755-8981 8866 Fax: +86-755-8427 6832

Email & Skype: info@chipsmall.com Web: www.chipsmall.com

Address: A1208, Overseas Decoration Building, #122 Zhenhua RD., Futian, Shenzhen, China

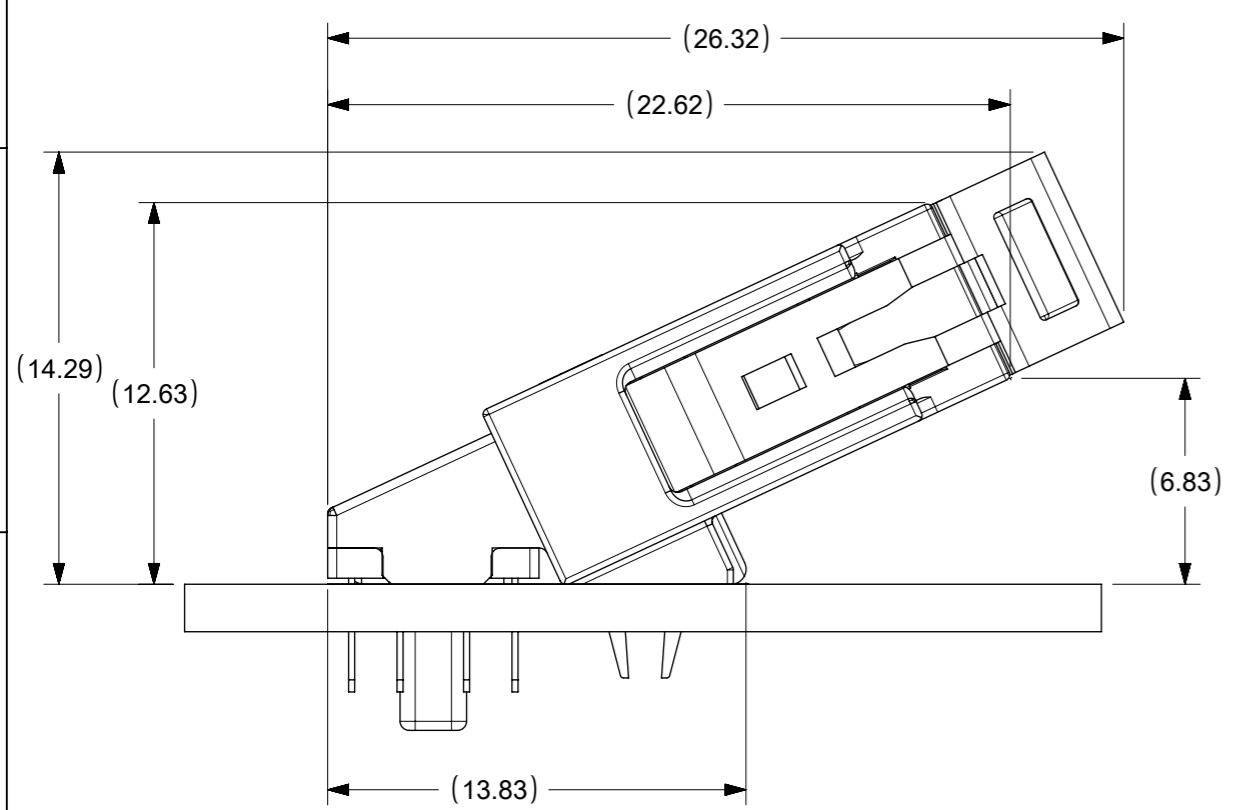
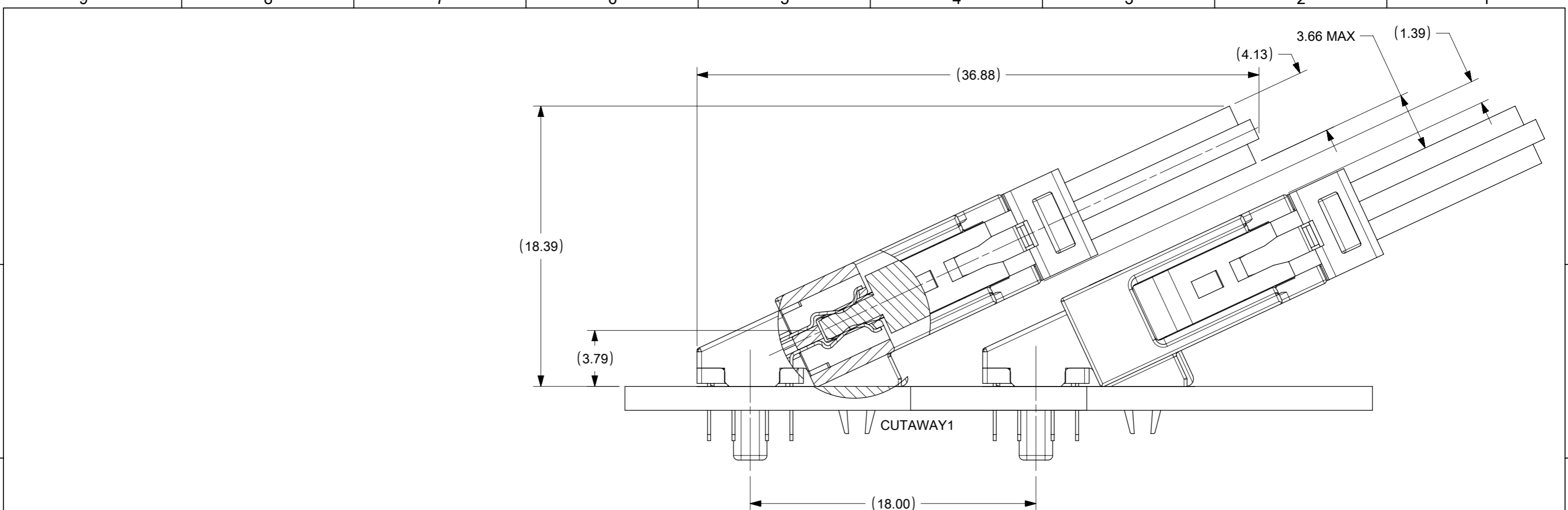




THIS DESIGN IS BASED ON DESIGN OBJECTIVES AND IS STRICTLY TENTATIVE. IT MAY CHANGE BASED ON RESULTS OF ADDITIONAL DESIGN REVIEWS & VERIFICATIONS.

- NOTES:
- MATERIAL : HOUSING - HALOGEN FREE HIGH TEMP POLYAMIDE, GLASS FILLED, UL94V-0, BLACK.
LATCH - HALOGEN FREE HIGH TEMP POLYAMIDE, GLASS FILLED, UL94V-0, BLACK.
TERMINAL : COPPER ALLOY.
FORKLOCK: COPPER ALLOY.
 - FINISHES - SEE TABLE ON SHEET 5.
 - PRODUCT SPECIFICATION : SEE TABLE ON SHEET 5.
 - PACKAGING SPECIFICATION: PRODUCT SHALL BE PACKED IN TRAY, SEE SHEET 5
 - CARD SLOT ACCEPTS 1.40±0.10MM MODULE THICKNESS (MEASURED OVER P.C. PADS).
 - MOLEX LOGO, DATE & PART NO. INDICATED ON HOUSING.

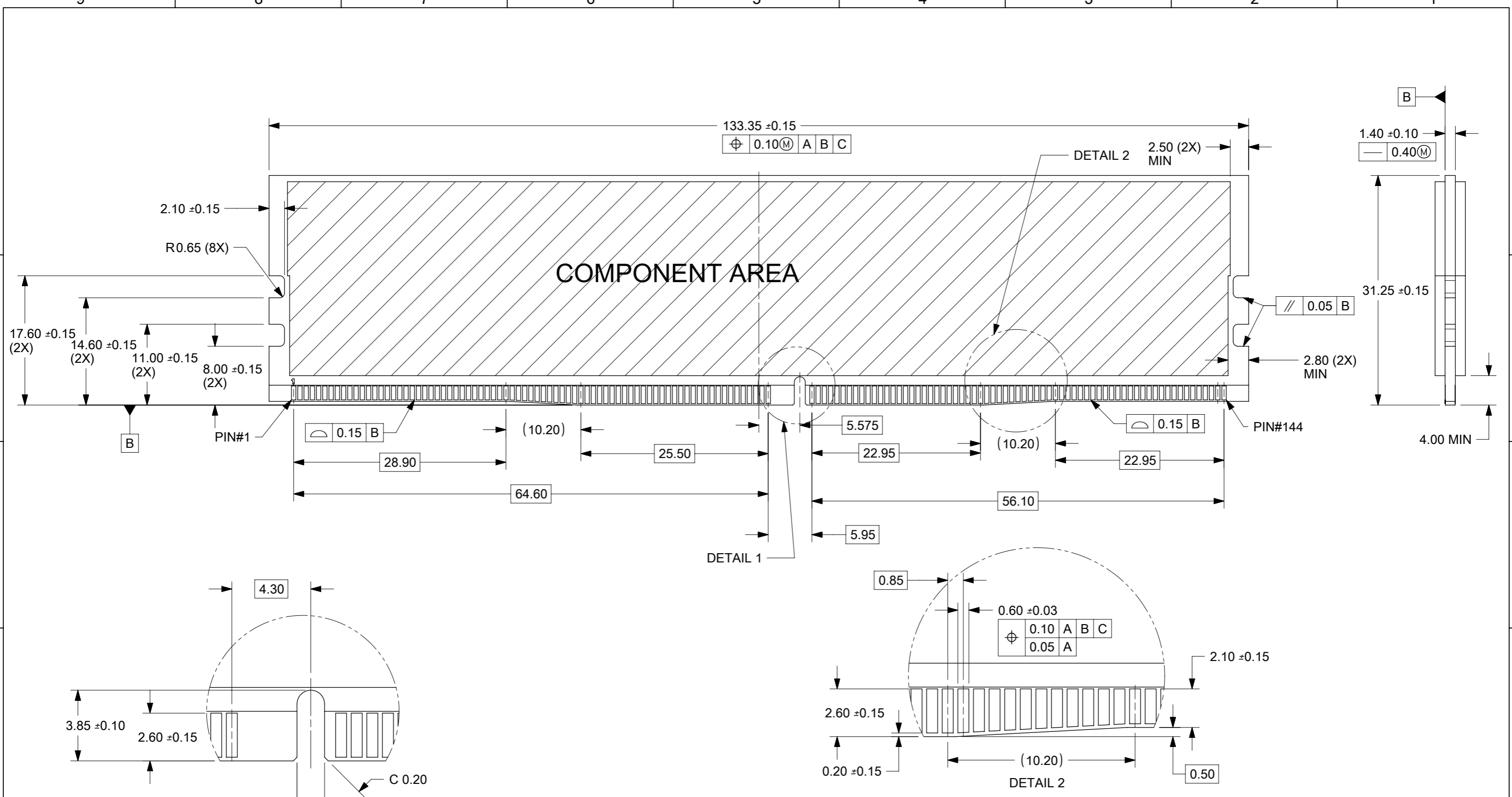
THIS DRAWING CONTAINS INFORMATION THAT IS PROPRIETARY TO MOLEX ELECTRONIC TECHNOLOGIES, LLC AND SHOULD NOT BE USED WITHOUT WRITTEN PERMISSION										
QUALITY SYMBOLS		REV. DIS. PEG & FL		GENERAL TOLERANCES (UNLESS SPECIFIED)		DIMENSION UNITS		SCALE		
FA	= 0	2018/11/17		ANGULAR TOL ± 3.0 °		MM ONLY		NTS		
FE	= 0	DRWN: BTEJA	2016/12/21	4 PLACES ±		DRWN BY		DATE		
FB	= 0	CHK'D: VMANICKAM	2016/12/28	3 PLACES ±		CCTEH		2014/05/19		
FC	= 0	APPR: SHLENI		2 PLACES ± 0.25		CHK'D BY		DATE		
FD	= 0	EC NO: 106539		1 PLACE ±		CGTAN		2015/04/30		
FE	= 0	REV: A		0 PLACES ±		APPR BY		DATE		
FF	= 0			DRAFT WHERE APPLICABLE MUST REMAIN WITHIN DIMENSIONS		SHLENI		2015/05/13		
FG	= 0					DRAWING SIZE		THIRD ANGLE PROJECTION		
FH	= 0					A3				
FI	= 0									
RELEASE STATUS			RELEASE DATE			SERIES		MATERIAL NUMBER		CUSTOMER
						151080		SEE TABLE		GENERAL MARKET
						DOCUMENT NUMBER		DOC TYPE	DOC PART	SHEET NUMBER
						SD-151080-0001		PSD	000	1 OF 5



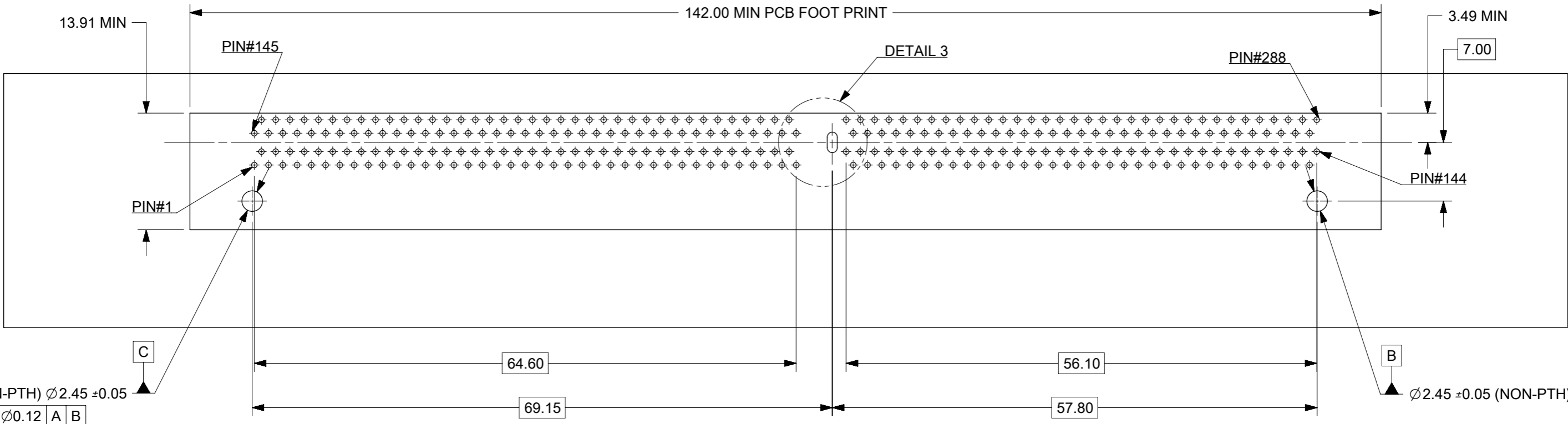
MINIMUM RECOMMENDED ROW TO ROW SPACING WHEN USING 4.00MM THICK MODULE (TYPICAL TSOP PACKAGING)

THIS DRAWING CONTAINS INFORMATION THAT IS PROPRIETARY TO MOLEX ELECTRONIC TECHNOLOGIES, LLC AND SHOULD NOT BE USED WITHOUT WRITTEN PERMISSION									
QUALITY SYMBOLS FA = 0 FE = 0 FB = 0 FV = 0 FC = 0 FX = 0 FS = 0 FT = 0	REV. DIS. PEG & FL EC NO: 106539 DRWN: BTEJA CHK'D: VMANICKAM REV APPR: SHLENI	GENERAL TOLERANCES (UNLESS SPECIFIED) ANGULAR TOL ± 3.0 °		DIMENSION UNITS MM ONLY	SCALE NTS				
		4 PLACES ±	3 PLACES ±	2 PLACES ± 0.25	1 PLACE ±				
		DRAFT WHERE APPLICABLE MUST REMAIN WITHIN DIMENSIONS		DRAWING SIZE A3	THIRD ANGLE PROJECTION 	PRODUCT CUSTOMER DRAWING			
				SERIES 151080	MATERIAL NUMBER SEE TABLE	CUSTOMER GENERAL MARKET			
				DOCUMENT NUMBER SD-151080-0001		DOC TYPE PSD	DOC PART 000	SHEET NUMBER 2 OF 5	

RELEASE STATUS	RELEASE DATE
----------------	--------------

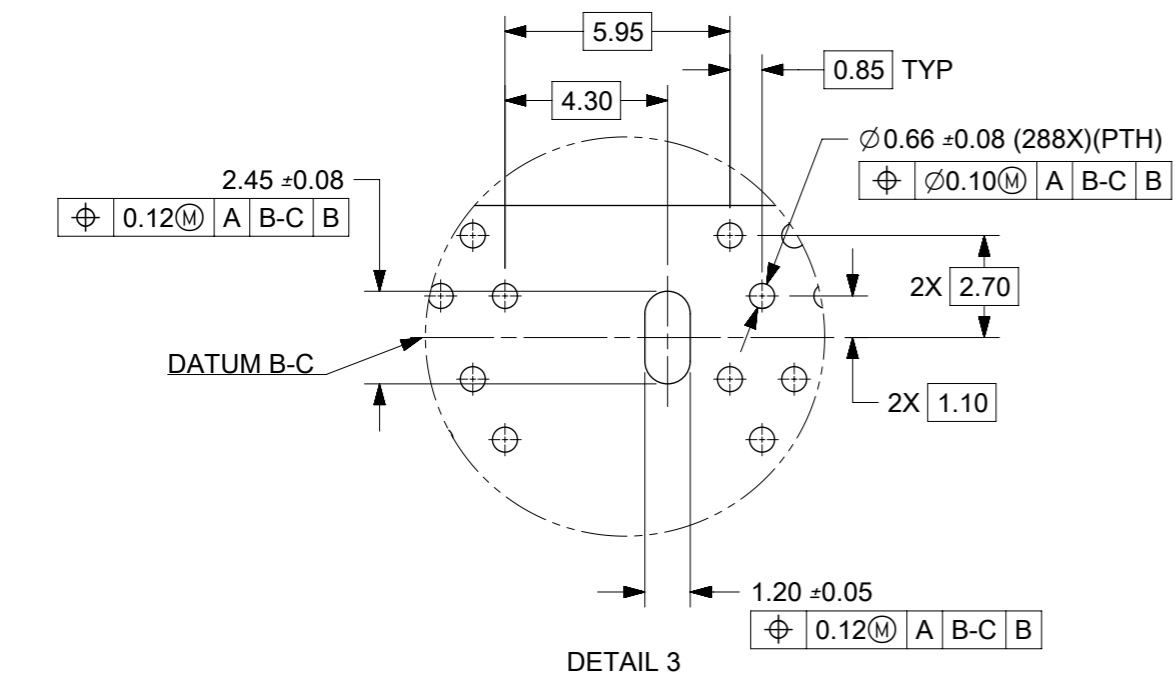


THIS DRAWING CONTAINS INFORMATION THAT IS PROPRIETARY TO MOLEX ELECTRONIC TECHNOLOGIES, LLC AND SHOULD NOT BE USED WITHOUT WRITTEN PERMISSION										
QUALITY SYMBOLS	REV. DIS. PEG & FL	EC NO: 106539	DRWN: BTEJA	CHK'D: VMANICKAM	REV APPR: SHLENI	GENERAL TOLERANCES (UNLESS SPECIFIED)		DIMENSION UNITS	SCALE	
						4 PLACES ±	3 PLACES ±	MM ONLY	NTS	
∇ = 0						ANGULAR TOL ± 3.0 °		DRWN BY	DATE	
∇ = 0						2 PLACES ± 0.25		CCTEH	2014/05/19	
∇ = 0						1 PLACE ±		CHK'D BY	DATE	
∇ = 0						0 PLACES ±		CGTAN	2015/04/30	
∇ = 0						DRAFT WHERE APPLICABLE MUST REMAIN WITHIN DIMENSIONS		APPR BY	DATE	
∇ = 0								SHLENI	2015/05/13	
∇ = 0								DRAWING SIZE	THIRD ANGLE PROJECTION	
∇ = 0								A3		
										DDR4 DIMM 0.85MM PITCH 25 DEG. 288CKTS T/H
							PRODUCT CUSTOMER DRAWING			
RELEASE STATUS		RELEASE DATE				SERIES	MATERIAL NUMBER	CUSTOMER		
						151080	SEE TABLE	GENERAL MARKET		
							DOCUMENT NUMBER	DOC TYPE	DOC PART	SHEET NUMBER
							SD-151080-0001	PSD	000	3 OF 5



(NON-PTH) $\varnothing 2.45 \pm 0.05$
 $\varnothing 0.12$ A B

$\varnothing 2.45 \pm 0.05$ (NON-PTH)



THIS DRAWING CONTAINS INFORMATION THAT IS PROPRIETARY TO MOLEX ELECTRONIC TECHNOLOGIES, LLC AND SHOULD NOT BE USED WITHOUT WRITTEN PERMISSION										
QUALITY SYMBOLS	REV. DIS. PEG & FL	EC NO: 106539	DRWN: BTEJA	CHK'D: VMANICKAM	REV APPR: SHLENI	GENERAL TOLERANCES (UNLESS SPECIFIED)		DIMENSION UNITS	SCALE	
						ANGULAR TOL $\pm 3.0^\circ$		MM ONLY	NTS	
$\nabla_A = 0$						4 PLACES \pm		DRWN BY	DATE	
$\nabla_E = 0$						3 PLACES \pm		CCTEH	2014/05/19	
$\nabla_F = 0$						2 PLACES ± 0.25		CHK'D BY	DATE	
$\nabla = 0$						1 PLACE \pm		CGTAN	2015/04/30	
$\nabla_C = 0$						0 PLACES \pm		APPR BY	DATE	
$\boxtimes = 0$						DRAFT WHERE APPLICABLE MUST REMAIN WITHIN DIMENSIONS		SHLENI	2015/05/13	
$\blacksquare = 0$						DRAWING SIZE	THIRD ANGLE PROJECTION			
$\nabla = 0$						A3				
							molex [®]			
							DDR4 DIMM 0.85MM PITCH 25 DEG. 288CKTS T/H			
							PRODUCT CUSTOMER DRAWING			
RELEASE STATUS		RELEASE DATE				SERIES	MATERIAL NUMBER	CUSTOMER		
						151080	SEE TABLE	GENERAL MARKET		
							DOCUMENT NUMBER	DOC TYPE	DOC PART	SHEET NUMBER
							SD-151080-0001	PSD	000	4 OF 5

RELEASE STATUS: RELEASE DATE: DATE: 2015/12/14

9 8 7 6 5 4 3 2 1

PART NO.	VOLTAGE KEY	DIM "P"	DIM "O"	RECOMMENDED PCB THICKNESS	PLATING OPTION	HOUSING COLOUR	LATCH COLOUR	PRODUCT SPECIFICATION	PACKAGING SPECIFICATION
151080-0001	CENTER (1.2V)	3.56	4.83	2.54	0.76µM / 30 µInch MIN GOLD ON CONTACT 2.54µM / 100 µInch MIN PURE TIN ON SOLDER TAILS 1.27µM / 50 µInch MIN NICKEL UNDERPLATE	BLACK	BLACK	PS-151080-0001	PK-151080-0001
151080-0101		2.67	3.18	1.70~1.80		BLACK	BLACK		
151080-0102						BLACK	NATURAL		

E
D
C
B
A

E
D
C
B
A

THIS DRAWING CONTAINS INFORMATION THAT IS PROPRIETARY TO MOLEX ELECTRONIC TECHNOLOGIES, LLC AND SHOULD NOT BE USED WITHOUT WRITTEN PERMISSION											
QUALITY SYMBOLS 	REV. DIS. PEG & FL EC NO: 106539 DRWN: BTEJA CHK'D: VMANICKAM REV APPR: SHLENI	2016/11/17 2016/12/21 2016/12/28	GENERAL TOLERANCES (UNLESS SPECIFIED)		DIMENSION UNITS	SCALE					
			ANGULAR TOL ± 3.0 °		MM ONLY	NTS					
			4 PLACES ±		DRWN BY	DATE	DDR4 DIMM 0.85MM PITCH 25 DEG. 288CKTS T/H				
			3 PLACES ±		CCTEH	2014/05/19					
			2 PLACES ± 0.25		CHK'D BY	DATE	PRODUCT CUSTOMER DRAWING				
			1 PLACE ±		CGTAN	2015/04/30					
			0 PLACES ±		APPR BY	DATE	SERIES: 151080 MATERIAL NUMBER: SEE TABLE CUSTOMER: GENERAL MARKET				
			DRAFT WHERE APPLICABLE MUST REMAIN WITHIN DIMENSIONS		SHLENI	2015/05/13					
					DRAWING SIZE	THIRD ANGLE PROJECTION	DOCUMENT NUMBER: SD-151080-0001 DOC TYPE: PSD DOC PART: 000 SHEET NUMBER: 5 OF 5				
					A3						

RELEASE STATUS	RELEASE DATE
----------------	--------------

9 8 7 6 5 4 3 2 1

FORMAT: master-ib-prod-A3
REVISION: 0
DATE: 2015/12/14