



Chipsmall Limited consists of a professional team with an average of over 10 year of expertise in the distribution of electronic components. Based in Hongkong, we have already established firm and mutual-benefit business relationships with customers from,Europe,America and south Asia,supplying obsolete and hard-to-find components to meet their specific needs.

With the principle of “Quality Parts,Customers Priority,Honest Operation,and Considerate Service”,our business mainly focus on the distribution of electronic components. Line cards we deal with include Microchip,ALPS,ROHM,Xilinx,Pulse,ON,Everlight and Freescale. Main products comprise IC,Modules,Potentiometer,IC Socket,Relay,Connector.Our parts cover such applications as commercial,industrial, and automotives areas.

We are looking forward to setting up business relationship with you and hope to provide you with the best service and solution. Let us make a better world for our industry!



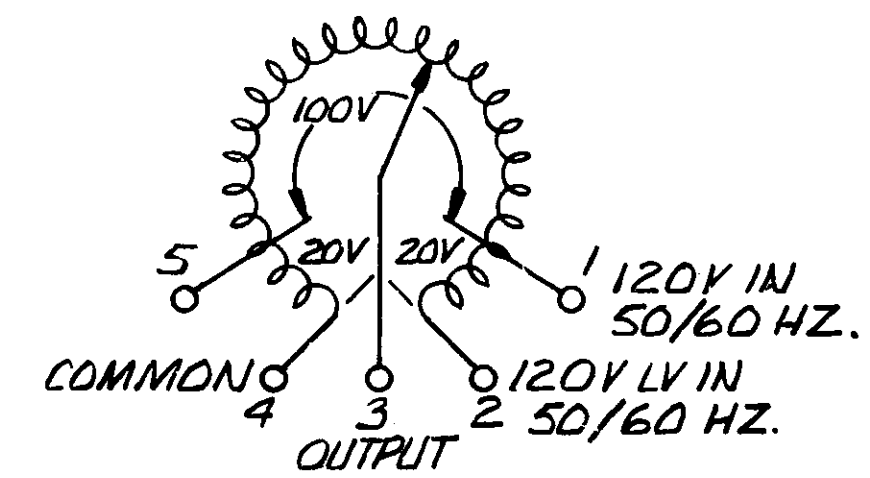
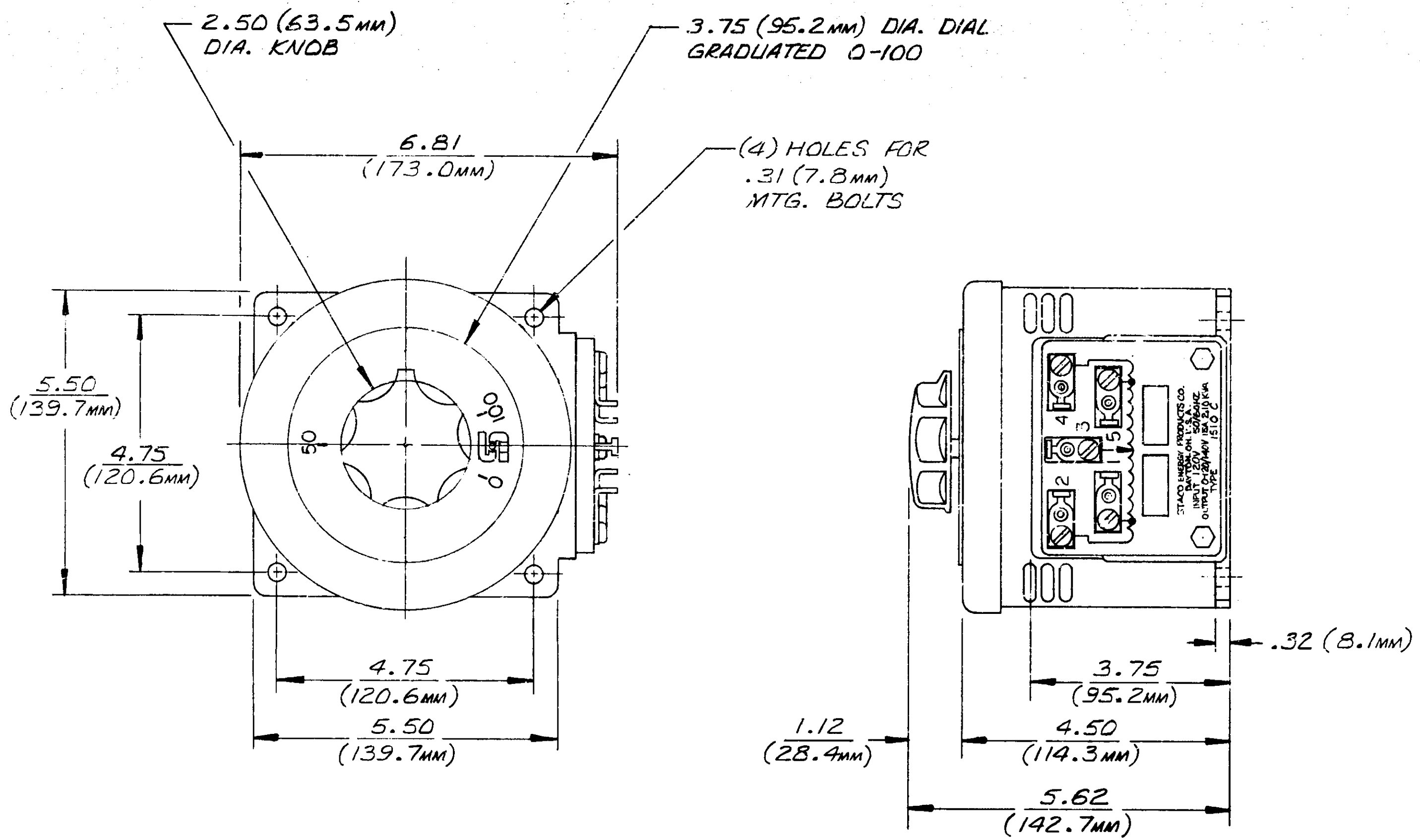
Contact us

Tel: +86-755-8981 8866 Fax: +86-755-8427 6832

Email & Skype: info@chipsmall.com Web: www.chipsmall.com

Address: A1208, Overseas Decoration Building, #122 Zhenhua RD., Futian, Shenzhen, China





SCHEMATIC VIEWED FROM BASE END
 FUSE RECOMMENDED BUT NOT SUPPLIED

SPECIFICATIONS											
WIRING	INPUT		OUTPUT				SHAFT ROTATION FOR VOLTAGE INCREASE	TERMINAL CONNECTIONS			
	VOLTS	HERTZ	VOLTS	CONSTANT CURRENT LOAD		CONSTANT IMPEDANCE LOAD		FOR INCREASING VOLTAGE AS VIEWED FROM BASE END			
				MAX. AMPS	MAX. KVA	MAX. AMPS		MAX. KVA	INPUT	JUMPER	OUTPUT
SINGLE PHASE	120	50/60	0-120	15	1.80	20	2.40	CW	2-4	---	4-3
			0-140	15	2.10	---	---	CCW	2-4	---	2-3
								CW	1-4	---	4-3
			CCW	5-2	---	2-3					

UNLESS OTHERWISE SPECIFIED, TOLERANCE IS ±				ALL DIMENSIONS APPLY AFTER PLATING		TITLE: SPECIFICATION CONTROL DRAWING VARIABLE TRANSFORMER TYPE: 1510C		STACO ENERGY PRODUCTS CO. DAYTON, OHIO U.S.A.	
FRACTIONS 1/64	DECIMALS .0005	HOLES .002	ANGLES 1°	DRAFT 1-1/8°	MATERIAL:		FINISH:		
CAT #10		DRAWN BY R. TOLLIVER		DATE 5-12-91		FIRST USED ON		CUSTOMER APPROVAL	
LO NOT SCALE DWG.		CHECKER S.A. SMITH		DATE 11-14-91		WEIGHT APPROX 15.75 LBS.		DWG. NO. 031-3650	
CODE IDENT NO. 83008		ENGINEER J.M.R.		DATE 3/17/91		SCALE NONE		DWG. SIZE C	