



Chipsmall Limited consists of a professional team with an average of over 10 year of expertise in the distribution of electronic components. Based in Hongkong, we have already established firm and mutual-benefit business relationships with customers from,Europe,America and south Asia,supplying obsolete and hard-to-find components to meet their specific needs.

With the principle of "Quality Parts,Customers Priority,Honest Operation,and Considerate Service",our business mainly focus on the distribution of electronic components. Line cards we deal with include Microchip,ALPS,ROHM,Xilinx,Pulse,ON,Everlight and Freescale. Main products comprise IC,Modules,Potentiometer,IC Socket,Relay,Connector.Our parts cover such applications as commercial,industrial, and automotives areas.

We are looking forward to setting up business relationship with you and hope to provide you with the best service and solution. Let us make a better world for our industry!



Contact us

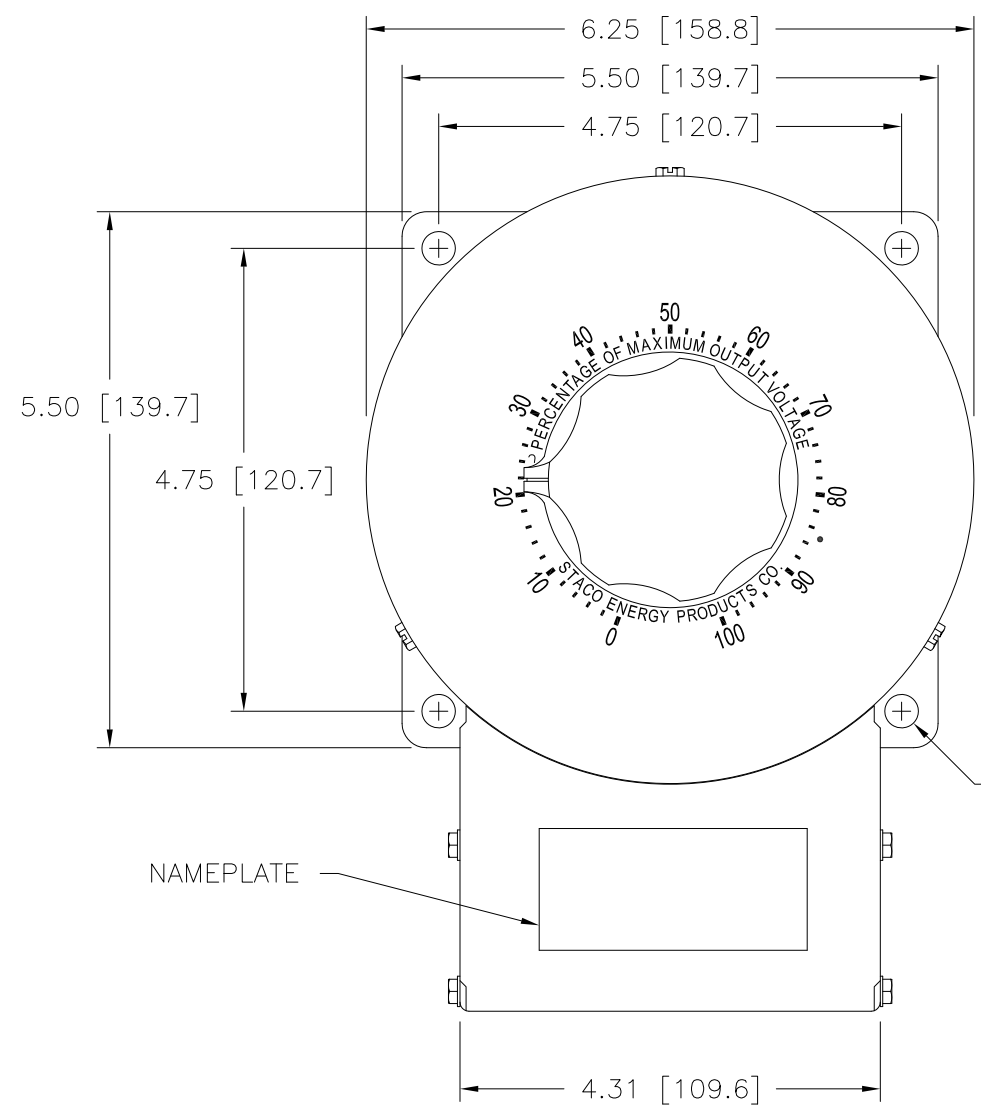
Tel: +86-755-8981 8866 Fax: +86-755-8427 6832

Email & Skype: info@chipsmall.com Web: www.chipsmall.com

Address: A1208, Overseas Decoration Building, #122 Zhenhua RD., Futian, Shenzhen, China

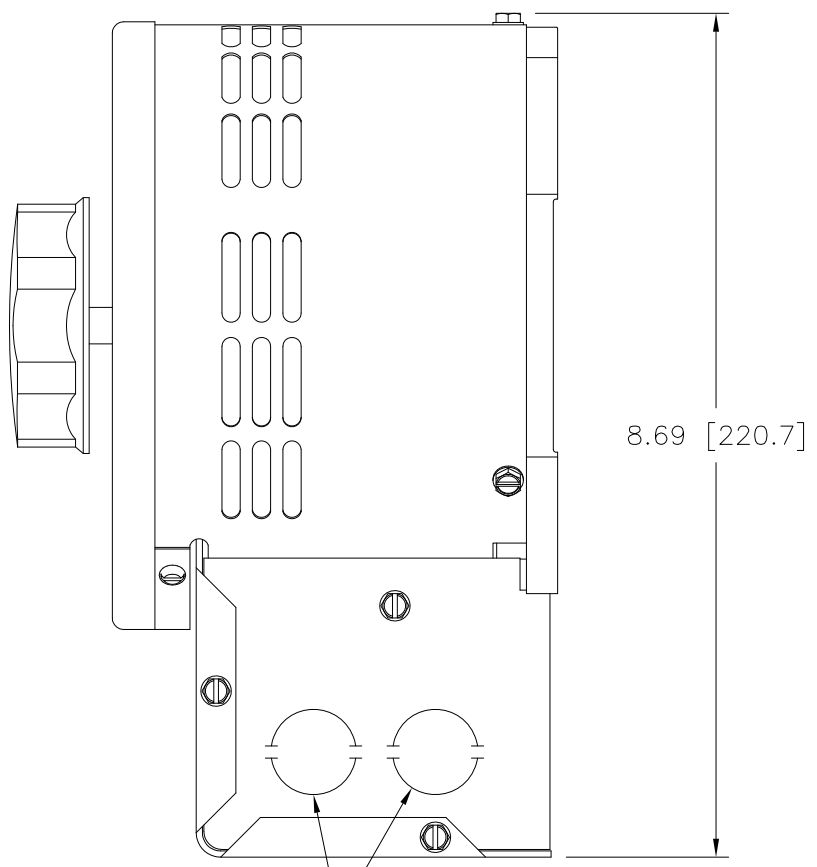


DWG. NO.	031-3651		
REVISIONS			
SYM.	E.C.N.	DATE	APVD.
A	23902	12/16/98	REDRAWN ON CAD
B	25804	10/16/06	UPDATED PER SCREEN 639-0243
C	28069	12/5/14	UPDATED PER SCREEN 639-0243



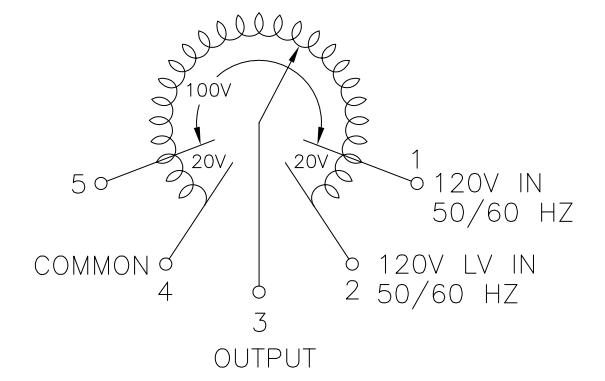
.34 [8.7] DIA. HOLE
4 PLACES FOR
CUSTOMER MOUNTING

NAMEPLATE

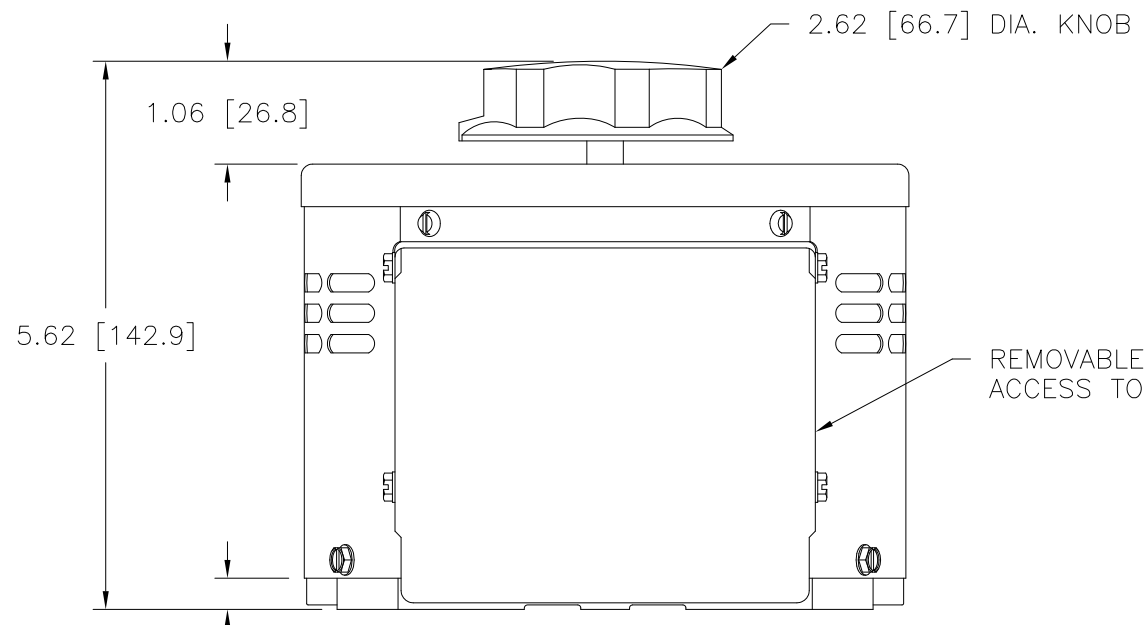


.88 [22.2] DIA. KNOCKOUT
2 PLACES EACH SIDE

NOTE:
UNIT IS SUPPLIED WITH A 3.75 [95.2] DIA.
0-100 GRADUATED DIAL PLATE FOR PANEL
MOUNTING.



OUTPUT
COIL SCHEMATIC
AS VIEWED FROM BASE END
FUSE RECOMMENDED BUT
NOT SUPPLIED



REMOVABLE COVER FOR
ACCESS TO TERMINAL BOARD

.32 [8.1] THK.
MTG. FLANGE

SPECIFICATIONS											
WIRING	INPUT		OUTPUT				SHAFT ROTATION TO INCREASE VOLTAGE	TERMINAL CONNECTIONS			
	VOLTS	HERTZ	VOLTS	CONSTANT CURRENT LOAD MAX. AMPS	CONSTANT IMPEDANCE LOAD MAX. KVA	MAX. AMPS		MAX. KVA	FOR INCREASING VOLTAGE AS VIEWED FROM BASE END		
SINGLE PHASE	120	50/60	0-120	15	1.80	20	2.40	CW	2-4	---	4-3
			0-140	15	2.10	---	---	CCW	2-4	---	2-3
								CW	1-4	---	4-3
								CCW	5-2	---	2-3

UNLESS OTHERWISE SPECIFIED, TOLERANCE IS ±	DECIMALS	HOLES	ANGLES	DRAFT	UNITS	TITLE:	SPEC. CONTROL DRAWING VARIABLE TRANSFORMER MODEL: 1510CT			
.XX	.06	.01	1°	1-1/2°	IN [mm]	DRAWN BY	DATE	FIRST USED ON	DO NOT SCALE DWG.	
MATERIAL:	ALL DIMENSIONS APPLY AFTER PLATING					ENGINEER	DATE	SCALE	1=1	SHEET 1 of 1
The information and design disclosed herein was originated by and is the property of STACO ENERGY PRODUCTS CO., which reserves all patent, proprietary, design, manufacturing, reproduction, use and sale rights thereto, and to any article disclosed therein except to the extent rights are expressly granted to others. The foregoing does not apply to vendor proprietary parts.						CHECKER	DATE	WEIGHT APPROX.	CAGE CODE	DWG. NO.
						S.A. SMITH	11/15/96	16 LBS	83008	D
										031-3651