



Chipsmall Limited consists of a professional team with an average of over 10 year of expertise in the distribution of electronic components. Based in Hongkong, we have already established firm and mutual-benefit business relationships with customers from,Europe,America and south Asia,supplying obsolete and hard-to-find components to meet their specific needs.

With the principle of “Quality Parts,Customers Priority,Honest Operation,and Considerate Service”,our business mainly focus on the distribution of electronic components. Line cards we deal with include Microchip,ALPS,ROHM,Xilinx,Pulse,ON,Everlight and Freescale. Main products comprise IC,Modules,Potentiometer,IC Socket,Relay,Connector.Our parts cover such applications as commercial,industrial, and automotives areas.

We are looking forward to setting up business relationship with you and hope to provide you with the best service and solution. Let us make a better world for our industry!



Contact us

Tel: +86-755-8981 8866 Fax: +86-755-8427 6832

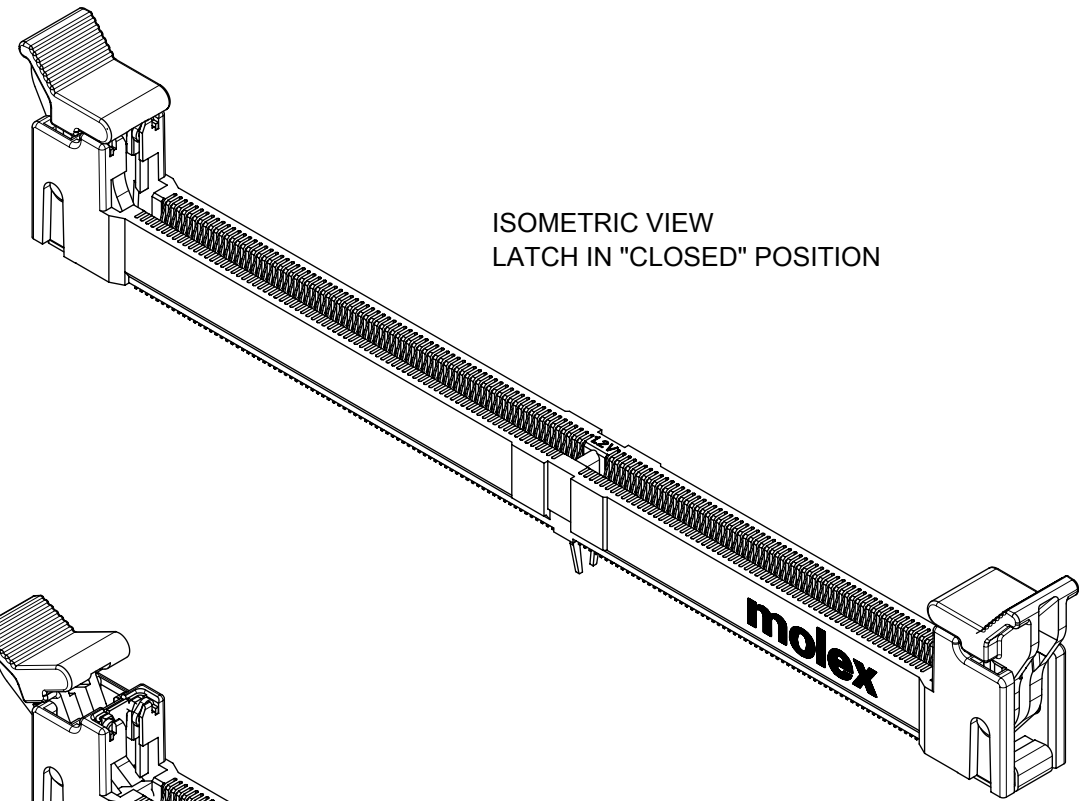
Email & Skype: info@chipsmall.com Web: www.chipsmall.com

Address: A1208, Overseas Decoration Building, #122 Zhenhua RD., Futian, Shenzhen, China

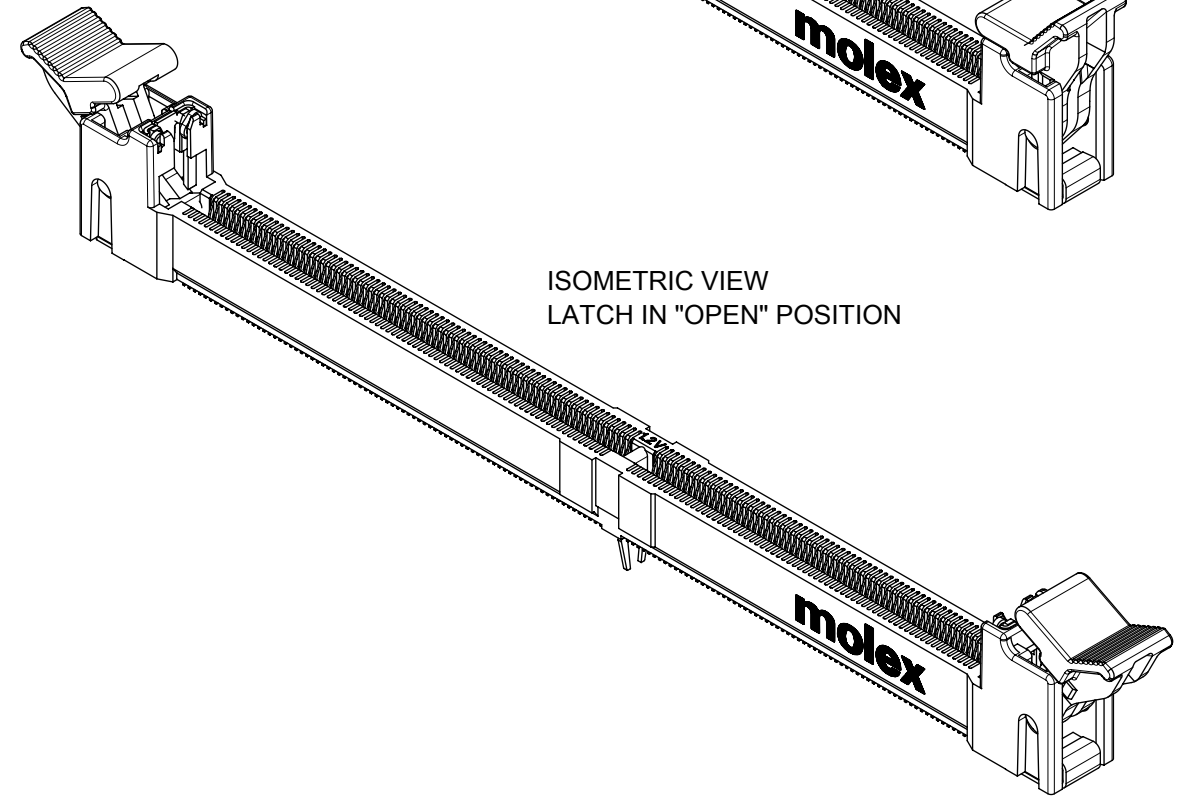


NOTES:

1. MATERIALS
HOUSING - LIQUID CRYSTAL POLYMER (LCP), GLASS FILLED, UL94 V-0;
COLOR: BLACK
LATCH - POLYAMIDE (PA), GLASS FILLED, UL94 V-0;
COLOR: NATURAL (OFF-WHITE)
TERMINAL - COPPER ALLOY
PCB HOLD-DOWN FEATURES - COPPER ALLOY
2. FINISHES
CONTACT AREA - 0.76 MICROMETER (30 MICROINCH) MINIMUM GOLD OVER
1.25 MICROMETER (50 MICROINCH) MINIMUM NICKEL
SMT TAIL - 2.54 MICROMETER (100 MICROINCH) MINIMUM TIN OVER
1.25 MICROMETER (50 MICROINCH) MINIMUM NICKEL
PCB HOLD-DOWN FEATURES - 2.54 MICROMETER (100 MICROINCH) MINIMUM TIN OVER
1.25 MICROMETER (50 MICROINCH) MINIMUM NICKEL
3. PRODUCT SPECIFICATION: SEE TABLE
4. PACKAGING SPECIFICATION: SEE TABLE
5. CARD SLOT ACCEPTS 1.40±0.10mm MODULE THICKNESS
(MEASURED OVER P.C. PADS).
6. MOLEX LOGO, DATE & PART NO. INDICATED ON SIDE OF HOUSING
7. MODULE SEATING PLANE FROM TOP OF PCB.
8. KEEP-OUT ZONE FOR LATCH
9. KEEP-OUT AREA IS THE AREA WHERE THE CONNECTOR IS MOUNTED
ONTO THE PCB (INCLUDING LATCH IN THE OPEN POSITION).
10. CONNECTOR APPLICATION GUIDELINE: AS-151105-0002.
11. PCB ROUTING RECOMMENDATION: AS-151105-0001.



ISOMETRIC VIEW
LATCH IN "CLOSED" POSITION



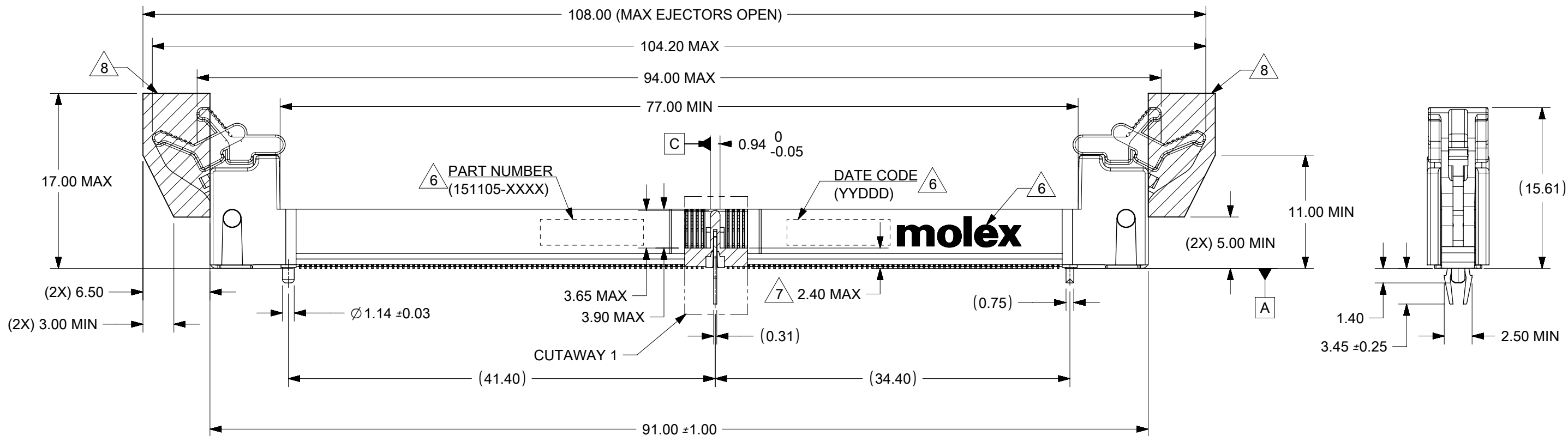
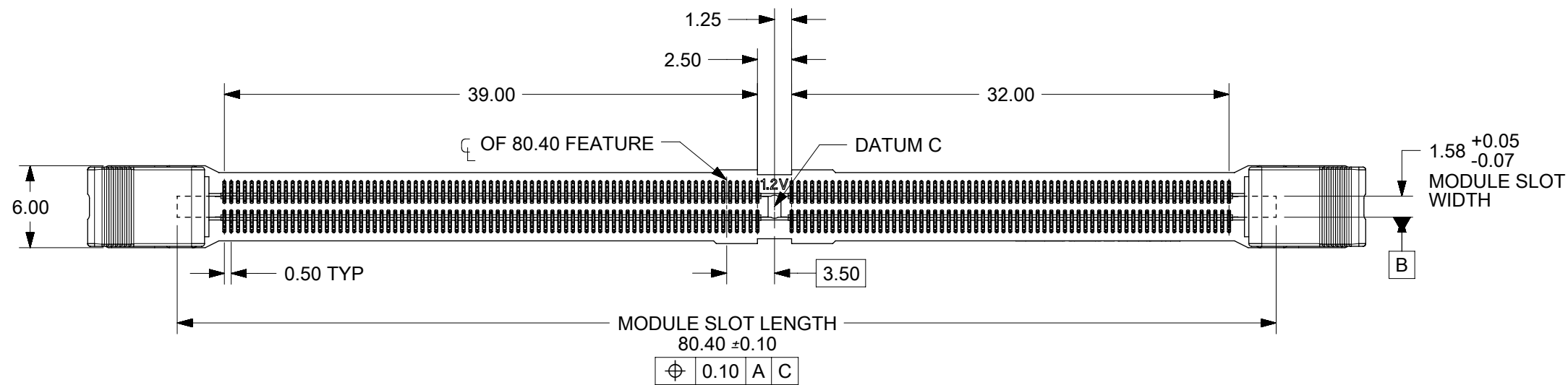
ISOMETRIC VIEW
LATCH IN "OPEN" POSITION

THIS DESIGN IS BASED ON DESIGN OBJECTIVES AND IS STRICTLY TENTATIVE. IT MAY CHANGE BASED ON RESULTS OF ADDITIONAL DESIGN REVIEWS AND VERIFICATIONS.

THIS DRAWING CONTAINS INFORMATION THAT IS PROPRIETARY TO MOLEX ELECTRONIC TECHNOLOGIES, LLC AND SHOULD NOT BE USED WITHOUT WRITTEN PERMISSION

VIEWS UPDATED	2017/03/30	GENERAL TOLERANCES (UNLESS SPECIFIED)		DIMENSION UNITS	SCALE	molex®				
	2017/04/03	ANGULAR TOL ± 3.0 °		MM	NTS					
	2017/04/03	4 PLACES ±	DRWN BY		DATE		DDR4 MINI DIMM, 0.50MM VERTICAL SMT 288CKTS			
		3 PLACES ±	JAKEEMEW		2014/12/16					
		2 PLACES ± 0.2	CHK'D BY		DATE		PRODUCT CUSTOMER DRAWING			
	1 PLACE ±	CCTEH		2015/05/29						
	0 PLACES ±	APPR BY		DATE		SERIES	MATERIAL NUMBER	CUSTOMER		
		DRAFT WHERE APPLICABLE MUST REMAIN WITHIN DIMENSIONS		DRAWING SIZE	THIRD ANGLE PROJECTION	151105	SEE TABLE	GENERAL MARKET		
A1	REV			A3		DOCUMENT NUMBER		DOC TYPE	DOC PART	SHEET NUMBER
						SD-151105-0001		PSD	000	1 OF 7

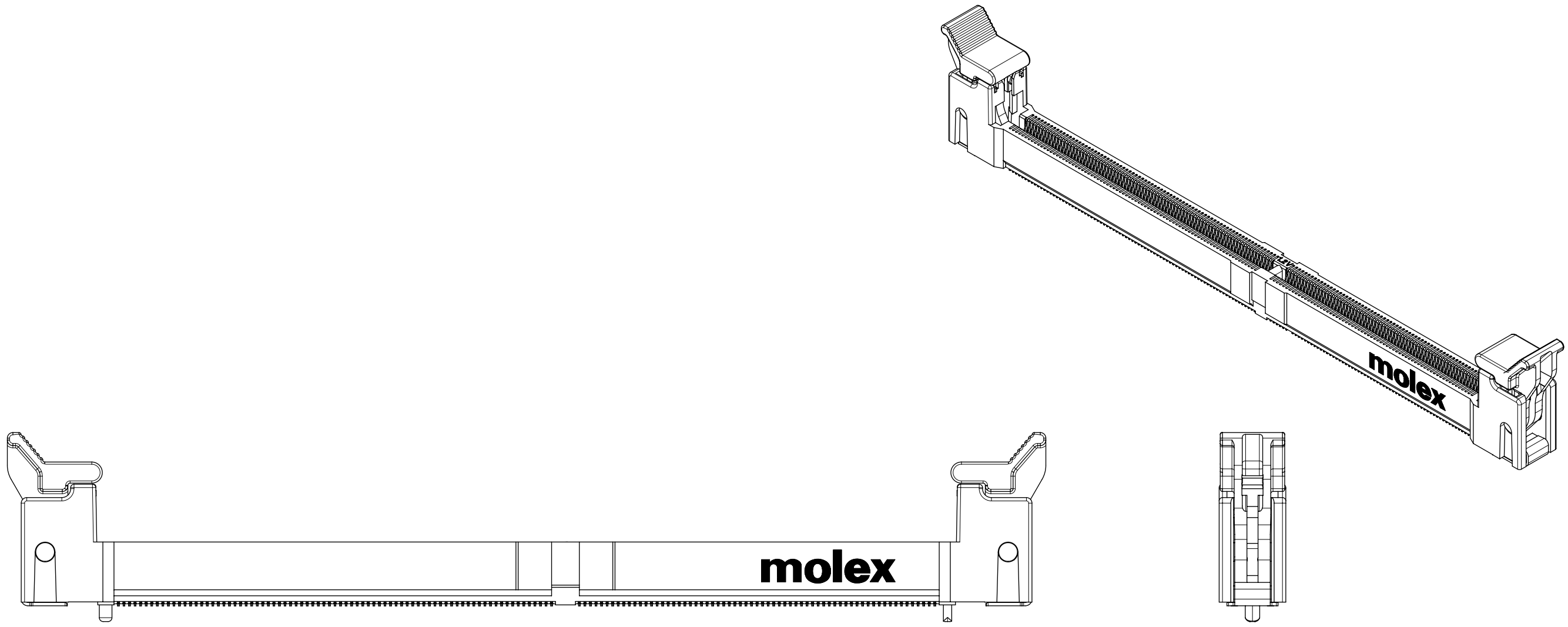
RELEASE STATUS	RELEASE DATE
----------------	--------------



THIS DRAWING CONTAINS INFORMATION THAT IS PROPRIETARY TO MOLEX ELECTRONIC TECHNOLOGIES, LLC AND SHOULD NOT BE USED WITHOUT WRITTEN PERMISSION

VIEWS UPDATED EC NO: 115184 DRWN: JAKEEMEW CHK'D: CCTEH APPR: SHLENI	2017/03/30	GENERAL TOLERANCES (UNLESS SPECIFIED)		DIMENSION UNITS	SCALE					
	2017/04/03	ANGULAR TOL ± 3.0 °		MM	NTS					
	2017/04/03	4 PLACES ±	DRWN BY		DATE		DDR4 MINI DIMM, 0.50MM VERTICAL SMT 288CKTS			
		3 PLACES ±	JAKEEMEW		2014/12/16		PRODUCT CUSTOMER DRAWING			
		2 PLACES ± 0.2	CHK'D BY		DATE		SERIES	MATERIAL NUMBER	CUSTOMER	
	1 PLACE ±	CCTEH		2015/05/29		151105	SEE TABLE	GENERAL MARKET		
	0 PLACES ±	APPR BY		DATE		DOCUMENT NUMBER	DOC TYPE	DOC PART	SHEET NUMBER	
	DRAFT WHERE APPLICABLE MUST REMAIN WITHIN DIMENSIONS		SHLENI		2015/06/08		SD-151105-0001	PSD	000	2 OF 7
	DRAWING SIZE		THIRD ANGLE PROJECTION		A3					

CONNECTOR WITHOUT CENTER PCB HOLD-DOWN FEATURE

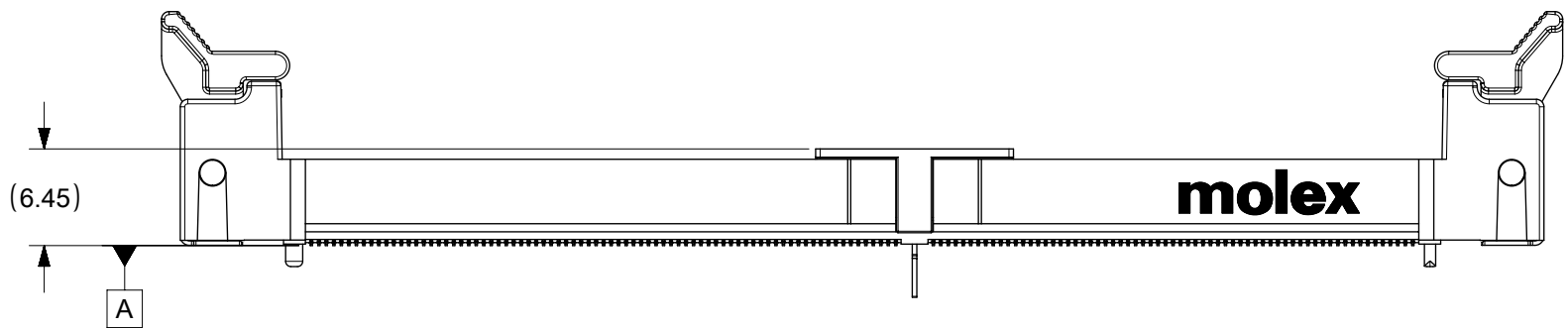
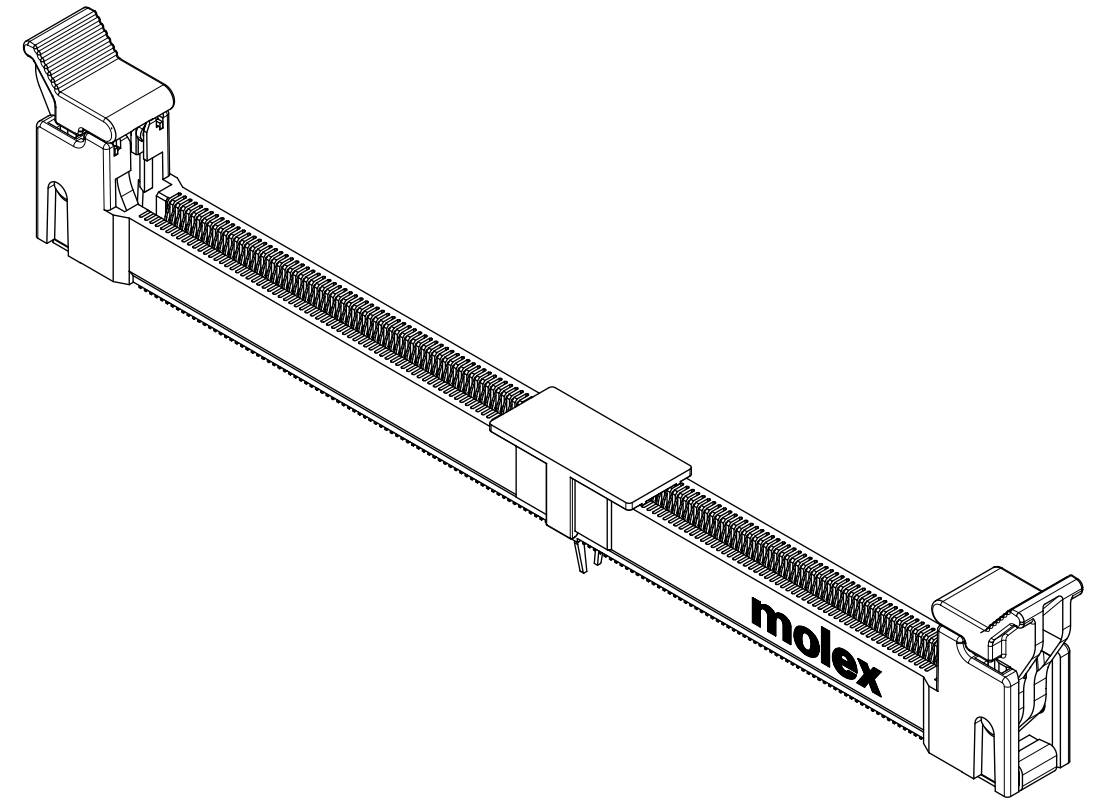
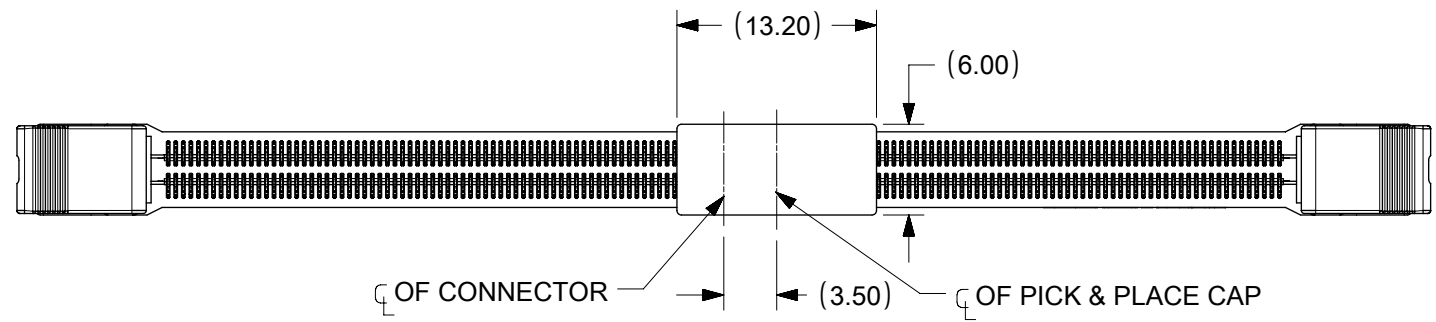


THIS DRAWING CONTAINS INFORMATION THAT IS PROPRIETARY TO MOLEX ELECTRONIC TECHNOLOGIES, LLC AND SHOULD NOT BE USED WITHOUT WRITTEN PERMISSION

VIEWS UPDATED EC NO: 115184 DRWN: JAKEEMEW CHK'D: CCTEH REV APPR: SHLENI	2017/03/30	2017/04/03	2017/04/03	GENERAL TOLERANCES (UNLESS SPECIFIED) ANGULAR TOL ± 3.0 ° 4 PLACES ± 3 PLACES ± 2 PLACES ± 0.2 1 PLACE ± 0 PLACES ± DRAFT WHERE APPLICABLE MUST REMAIN WITHIN DIMENSIONS	DIMENSION UNITS	SCALE	molex® DDR4 MINI DIMM, 0.50MM VERTICAL SMT 288CKTS			
					MM	NTS				
					JAKEEMEW	DATE	2014/12/16	PRODUCT CUSTOMER DRAWING		
					CHK'D BY	DATE	CCTEH			
					SHLENI	DATE	2015/06/08	SERIES MATERIAL NUMBER CUSTOMER 151105 SEE TABLE GENERAL MARKET		
					APPR BY	DATE				
					DRAWING SIZE	THIRD ANGLE PROJECTION	DOCUMENT NUMBER DOC TYPE DOC PART SHEET NUMBER SD-151105-0001 PSD 000 3 OF 7			
					A3					

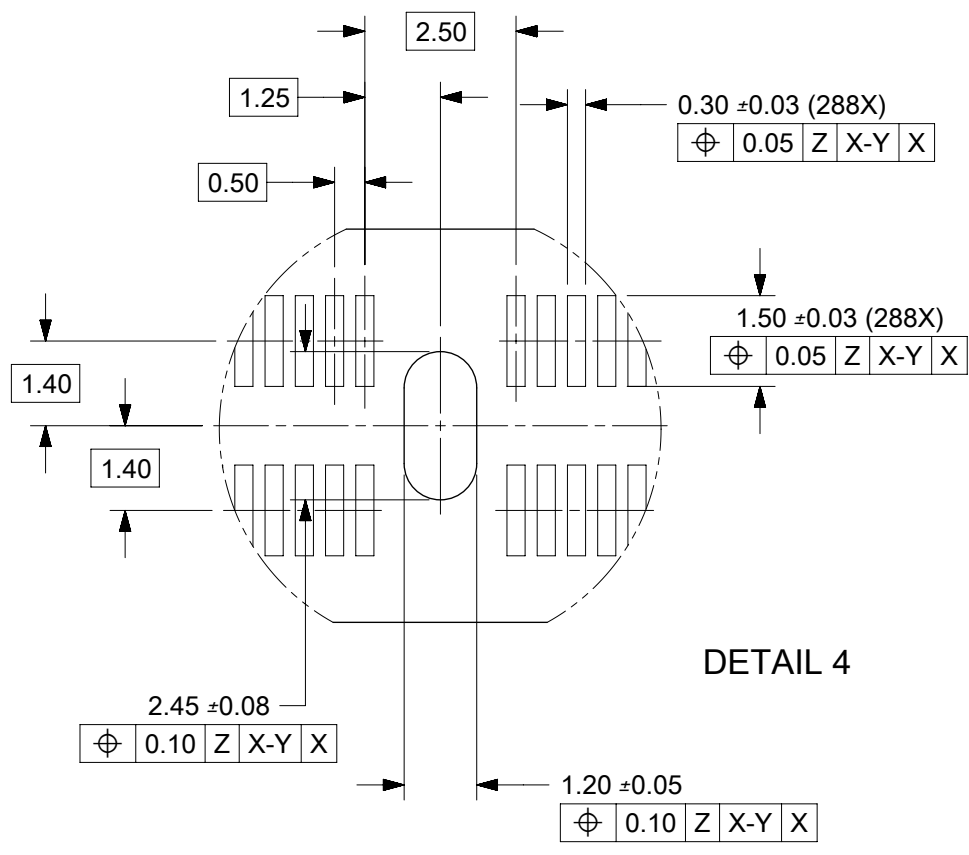
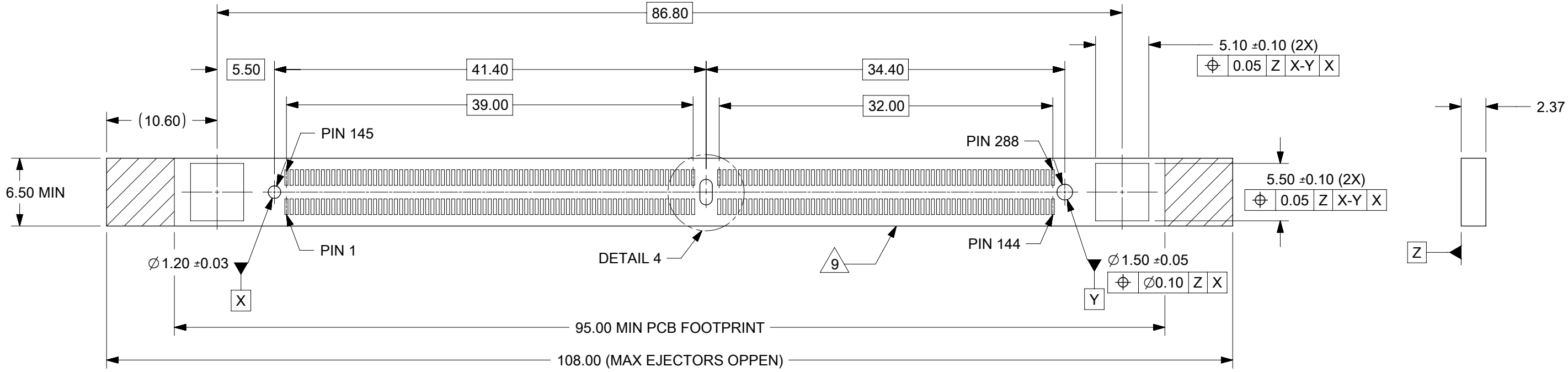
RELEASE STATUS	P1	RELEASE DATE	03.04.2017	10:05:25
----------------	----	--------------	------------	----------

CONNECTOR WITH PICK & PLACE CAP



THIS DRAWING CONTAINS INFORMATION THAT IS PROPRIETARY TO MOLEX ELECTRONIC TECHNOLOGIES, LLC AND SHOULD NOT BE USED WITHOUT WRITTEN PERMISSION

VIEWS UPDATED EC NO: 115184 DRWN: JAKEEMEW CHK'D: CCTEH APPR: SHLENI	2017/03/30 2017/04/03 2017/04/03	GENERAL TOLERANCES (UNLESS SPECIFIED) ANGULAR TOL ± 3.0 ° 4 PLACES ± 3 PLACES ± 2 PLACES ± 0.2 1 PLACE ± 0 PLACES ±	DIMENSION UNITS MM	SCALE NTS				
	DRWN BY JAKEEMEW		DATE 2014/12/16					
	CHK'D BY CCTEH		DATE 2015/05/29		PRODUCT CUSTOMER DRAWING			
	APPR BY SHLENI		DATE 2015/06/08					
	DRAFT WHERE APPLICABLE MUST REMAIN WITHIN DIMENSIONS	DRAWING SIZE A3	THIRD ANGLE PROJECTION 		DOCUMENT NUMBER SD-151105-0001		DOC TYPE PSD	DOC PART 000



THIS DRAWING CONTAINS INFORMATION THAT IS PROPRIETARY TO MOLEX ELECTRONIC TECHNOLOGIES, LLC AND SHOULD NOT BE USED WITHOUT WRITTEN PERMISSION

VIEWS UPDATED	2017/03/30	GENERAL TOLERANCES (UNLESS SPECIFIED)		DIMENSION UNITS	SCALE	molex [®]			
	2017/04/03	ANGULAR TOL ± 3.0 °		MM	NTS				
	2017/04/03	4 PLACES	±	DRWN BY	DATE	DDR4 MINI DIMM, 0.50MM VERTICAL SMT 288CKTS			
		3 PLACES	±	JAKEEMEW	2014/12/16				
	EC NO: 115184	2 PLACES	± 0.2	CHK'D BY	DATE	PRODUCT CUSTOMER DRAWING			
DRWN: JAKEEMEW	1 PLACE	±	CCTEH	2015/05/29					
CHK'D: CCTEH	0 PLACES	±	APPR BY	DATE	SERIES	MATERIAL NUMBER	CUSTOMER		
APPR: SHLENI	DRAFT WHERE APPLICABLE MUST REMAIN WITHIN DIMENSIONS		SHLENI	2015/06/08	151105	SEE TABLE	GENERAL MARKET		
A1	REV	A3		DRAWING SIZE	THIRD ANGLE PROJECTION	DOCUMENT NUMBER	DOC TYPE	DOC PART	SHEET NUMBER
						SD-151105-0001	PSD	000	6 OF 7

9 8 7 6 5 4 3 2 1

E

ASSEMBLY PART NUMBER	CENTER PCB HOLD-DOWN FEATURE	PICK & PLACE CAP	PRODUCT SPECIFICATION	PACKAGING SPECIFICATION
151105-0001	YES	NO	PS-151105-0001	PK-151105-0001
151105-0002	NO	YES		
151105-0003	YES	YES		
151105-0004	NO	NO		


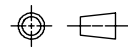
D

C

B

A

THIS DRAWING CONTAINS INFORMATION THAT IS PROPRIETARY TO MOLEX ELECTRONIC TECHNOLOGIES, LLC AND SHOULD NOT BE USED WITHOUT WRITTEN PERMISSION

VIEWS UPDATED EC NO: 115184 DRWN: JAKEEMEW CHK'D: CCTEH REV APPR: SHLENI	2017/03/30	GENERAL TOLERANCES (UNLESS SPECIFIED)	DIMENSION UNITS	SCALE					
	2017/04/03	ANGULAR TOL ± 3.0 °	MM	NTS					
	2017/04/03	4 PLACES ±	DRWN BY	DATE		DDR4 MINI DIMM, 0.50MM VERTICAL SMT 288CKTS			
		3 PLACES ±	JAKEEMEW	2014/12/16					
		2 PLACES ± 0.2	CHK'D BY	DATE		PRODUCT CUSTOMER DRAWING			
		1 PLACE ±	CCTEH	2015/05/29					
	0 PLACES ±	APPR BY	DATE		SERIES	MATERIAL NUMBER	CUSTOMER		
	DRAFT WHERE APPLICABLE MUST REMAIN WITHIN DIMENSIONS	SHLENI	2015/06/08		151105	SEE TABLE	GENERAL MARKET		
		DRAWING SIZE	THIRD ANGLE PROJECTION		DOCUMENT NUMBER		DOC TYPE	DOC PART	SHEET NUMBER
A1		A3			SD-151105-0001		PSD	000	7 OF 7

RELEASE STATUS	P1	RELEASE DATE	03.04.2017	10:05:25
----------------	----	--------------	------------	----------

9 8 7 6 5 4 3 2 1

FORMAT: master-b-prod-A3
 REVISION: 0
 DATE: 2015/12/14