



Chipsmall Limited consists of a professional team with an average of over 10 year of expertise in the distribution of electronic components. Based in Hongkong, we have already established firm and mutual-benefit business relationships with customers from,Europe,America and south Asia,supplying obsolete and hard-to-find components to meet their specific needs.

With the principle of “Quality Parts,Customers Priority,Honest Operation,and Considerate Service”,our business mainly focus on the distribution of electronic components. Line cards we deal with include Microchip,ALPS,ROHM,Xilinx,Pulse,ON,Everlight and Freescale. Main products comprise IC,Modules,Potentiometer,IC Socket,Relay,Connector.Our parts cover such applications as commercial,industrial, and automotives areas.

We are looking forward to setting up business relationship with you and hope to provide you with the best service and solution. Let us make a better world for our industry!



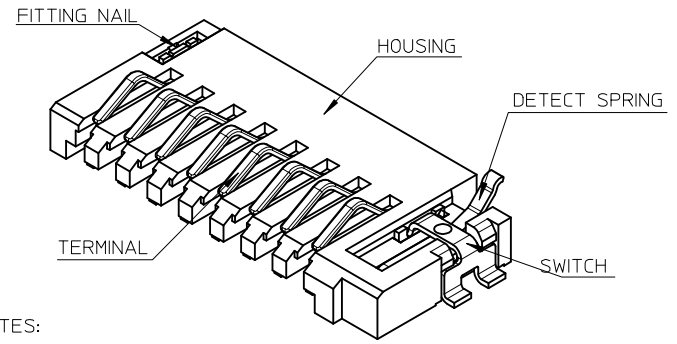
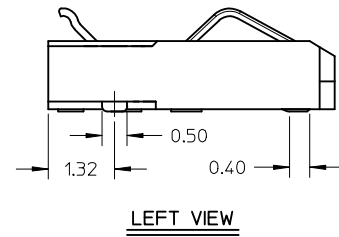
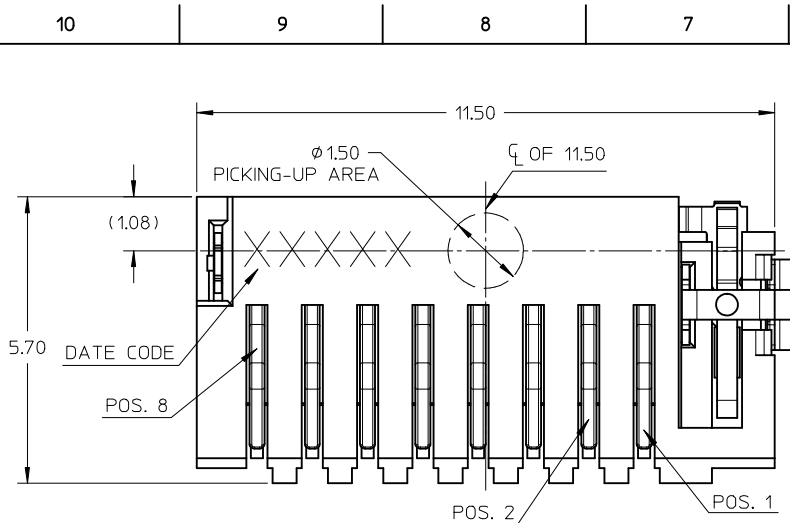
Contact us

Tel: +86-755-8981 8866 Fax: +86-755-8427 6832

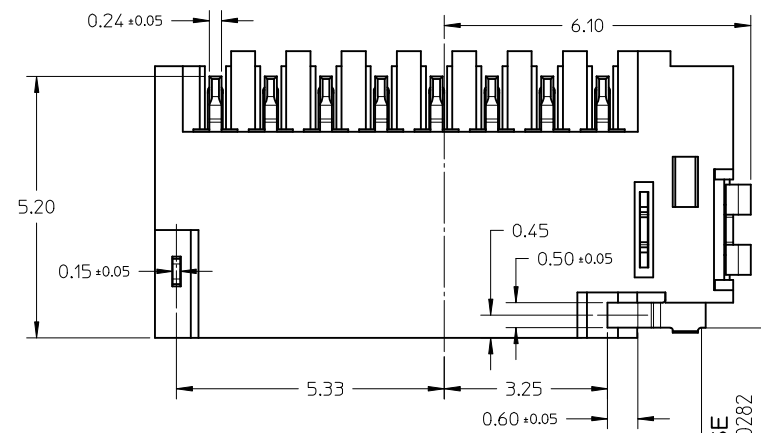
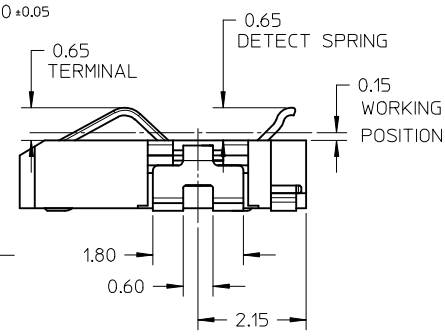
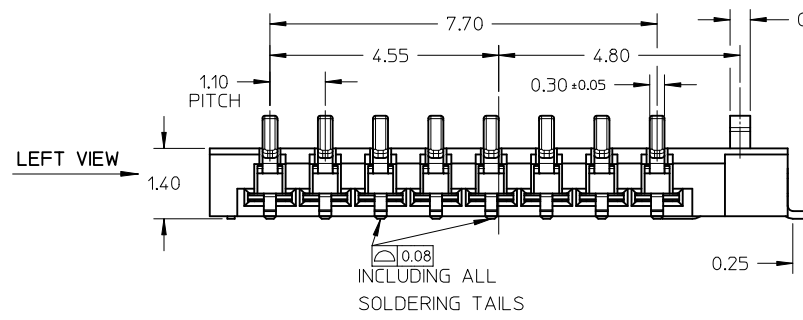
Email & Skype: info@chipsmall.com Web: www.chipsmall.com

Address: A1208, Overseas Decoration Building, #122 Zhenhua RD., Futian, Shenzhen, China





- NOTES:
- MATERIALS:
HOUSING: LCP, UL94V-0;
TERMINAL & DETECT SPRING & SWITCH & FITTING NAIL: COPPER ALLOY;
 - FINISHES:
TERMINAL:
1.27μM MIN. NICKEL UNDERPLATING OVERALL;
0.38μM MIN. GOLD PLATING ON CONTACT AREA;
0.05μM MIN. GOLD FLASH PLATING ON SOLDERING TAIL AREA;
DETECT SPRING:
1.27μM MIN. NICKEL UNDERPLATING OVERALL;
0.127μM MIN. GOLD PLATING ON CONTACT AREA;
0.05μM MIN. GOLD FLASH PLATING ON SOLDERING TAIL AREA;
SWITCH:
1.27μM MIN. NICKEL UNDERPLATING OVERALL;
0.05μM MIN. GOLD PLATING ON CONTACT AREA;
0.05μM MIN. GOLD FLASH PLATING ON SOLDERING TAIL AREA;
FITTING NAIL:
1.27μM MIN. NICKEL UNDERPLATING AND
1.27μM MIN. MATTE TIN PLATING OVERALL;
 - PRODUCT SPECIFICATION: PS-151129-0001;
 - PACKAGING SPECIFICATION: PK-151129-0001;
 - NO CIRCUIT ALLOWED UNDER CONNECTOR;
 - DATE CODE PRINTED: XX XX X;
DAY: 1 ~ 7
WEEK: 1 ~ 52
YEAR: 14, 15, 16, ...



NEW RELEASE
EC NO: SH2016-0282
DRWN:XQZHANG 2016/04/13
CHKD:XQZHANG 2016/04/13
APPR:AYIN 2016/04/18

REV	DESCRIPTION
A	

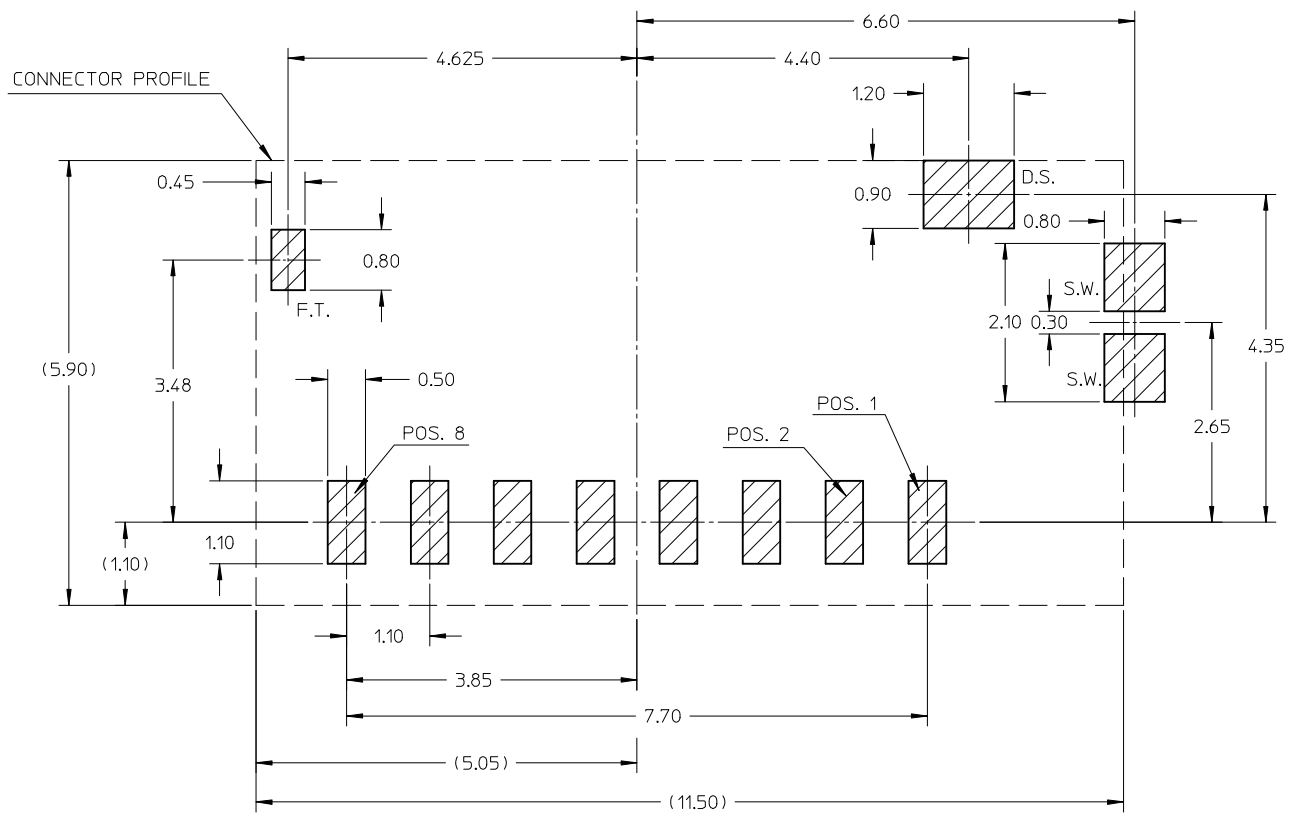
QUALITY SYMBOLS	GENERAL TOLERANCES (UNLESS SPECIFIED)	
	mm	INCH
$F_A=0$	4 PLACES ± ---	± ---
$F_C=0$	3 PLACES ± ---	± ---
$F_D=0$	2 PLACES ± 0.13	± ---
	1 PLACE ± 0.20	± ---
	0 PLACE ± ---	± ---

ANGULAR ± 3°

DRAFT WHERE APPLICABLE MUST REMAIN WITHIN DIMENSIONS

DIMENSION STYLE		SCALE	DESIGN UNITS	THIRD ANGLE PROJECTION
MM ONLY		NTS	METRIC	
DRAWN BY	DATE	TITLE		
HLWANG06	2014/11/25	SD DRAWING FOR 1.40MM HEIGHT BLOCK MICRO SD CONNECTOR		
CHECKED BY	DATE	molex		
JZENG	2014/11/25			
APPROVED BY	DATE	MATERIAL NO.	DOCUMENT NO.	SHEET NO.
AYIN	2016/04/18	151129-0001	SD-151129-0001	1 OF 2

THIS DRAWING CONTAINS INFORMATION THAT IS PROPRIETARY TO MOLEX INCORPORATED AND SHOULD NOT BE USED WITHOUT WRITTEN PERMISSION



PIN ASSIGNMENT	
POS. 1	DAT2
POS. 2	CD/DAT3
POS. 3	CMD
POS. 4	VDD
POS. 5	CLK
POS. 6	VSS
POS. 7	DAT0
POS. 8	DAT1
D.S.	DETECT SPRING
S.W.	SWITCH
F.T.	FITTING NAIL

RECOMMENDED PCB LAYOUT
TOLERANCE: ±0.05MM

SEE SHEET 1 EC NO: SH2016-0282 DRWN: XZHANG 2016/04/13 CHKD: XZHANG 2016/04/13 APPR: AYIN 2016/04/18	DESCRIPTION REV	QUALITY SYMBOLS	GENERAL TOLERANCES (UNLESS SPECIFIED)	DIMENSION STYLE	SCALE	DESIGN UNITS	THIRD ANGLE PROJECTION	
		▽=0	mm INCH	MM ONLY	NTS	METRIC		
		▽=0	4 PLACES ± --- ± ---	DRAWN BY DATE	TITLE SD DRAWING FOR 1.40MM HEIGHT BLOCK MICRO SD CONNECTOR			
		▽=0	3 PLACES ± --- ± ---	HLWANG06 2014/11/25				
		2 PLACES ± 0.13 ± ---	CHECKED BY DATE	DOCUMENT NO. SHEET NO.				
		1 PLACE ± 0.20 ± ---	JZENG 2014/11/25					SD-151129-0001
		0 PLACE ± --- ± ---	APPROVED BY DATE	MATERIAL NO. 151129-0001				
		ANGULAR ± 3 °	AYIN 2016/04/18					
		DRAFT WHERE APPLICABLE MUST REMAIN WITHIN DIMENSIONS		THIS DRAWING CONTAINS INFORMATION THAT IS PROPRIETARY TO MOLEX INCORPORATED AND SHOULD NOT BE USED WITHOUT WRITTEN PERMISSION				

