



Chipsmall Limited consists of a professional team with an average of over 10 year of expertise in the distribution of electronic components. Based in Hongkong, we have already established firm and mutual-benefit business relationships with customers from,Europe,America and south Asia,supplying obsolete and hard-to-find components to meet their specific needs.

With the principle of “Quality Parts,Customers Priority,Honest Operation,and Considerate Service”,our business mainly focus on the distribution of electronic components. Line cards we deal with include Microchip,ALPS,ROHM,Xilinx,Pulse,ON,Everlight and Freescale. Main products comprise IC,Modules,Potentiometer,IC Socket,Relay,Connector.Our parts cover such applications as commercial,industrial, and automotives areas.

We are looking forward to setting up business relationship with you and hope to provide you with the best service and solution. Let us make a better world for our industry!



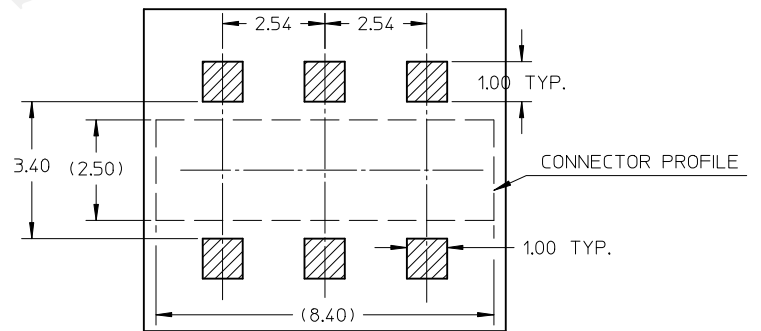
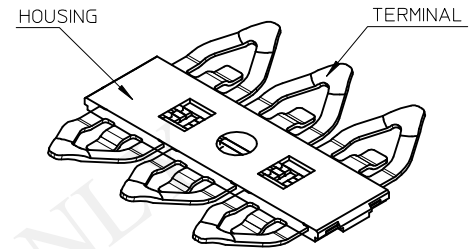
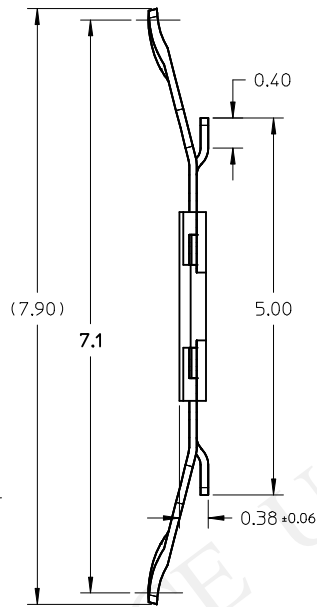
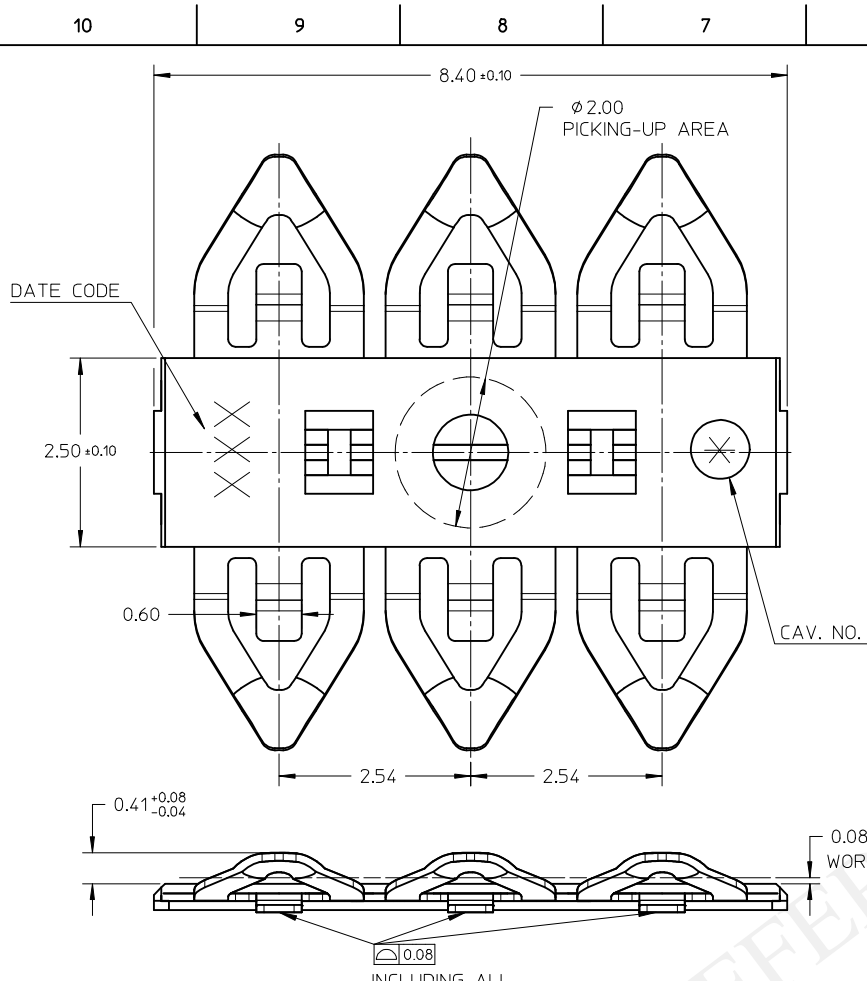
Contact us

Tel: +86-755-8981 8866 Fax: +86-755-8427 6832

Email & Skype: info@chipsmall.com Web: www.chipsmall.com

Address: A1208, Overseas Decoration Building, #122 Zhenhua RD., Futian, Shenzhen, China





RECOMMENDED PCB LAYOUT
TOLERANCE: ±0.05MM

NOTES:

- MATERIALS:
HOUSING: LCP, UL94V-0;
TERMINAL: COPPER ALLOY;
- FINISHES:
TERMINAL:
1.27μM MIN. NICKEL UNDERPLATING OVERALL;
0.38μM MIN. GOLD PLATING ON CONTACT AREA;
0.05μM MIN. GOLD FLASH PLATING ON SOLDERING TAIL AREA;
- PRODUCT SPECIFICATION: PS-151130-0001;
- PACKAGING SPECIFICATION: PK-151130-0001;
- NO CIRCUIT ALLOWED UNDER CONNECTOR;
- DATE CODE PRINTED: XXX,
DAY OF THE YEAR

THIS DESIGN IS BASED ON DESIGN OBJECTIVES AND IS STRICTLY TENTATIVE. IT MAY CHANGE BASED ON RESULTS OF ADDITIONAL DESIGN REVIEWS & VERIFICATIONS.

DRAWING REVISE EC NO: S2015-1463 DRW:HLWANG06 2015/06/16 CHKD:JZENG 2015/06/16 APPR:HLWANG06 2015/06/16	QUALITY SYMBOLS	GENERAL TOLERANCES (UNLESS SPECIFIED)		DIMENSION STYLE MM ONLY		SCALE NTS	DESIGN UNITS METRIC	THIRD ANGLE PROJECTION	
	$F_A=0$	4 PLACES	mm	INCH	DRAWN BY HLWANG06	DATE 2014/11/25	TITLE SALES DRAWING FOR 0.38MM HEIGHT BLOCK SIM CONNECTOR		
	$F_C=0$	3 PLACES	± ---	± ---	CHECKED BY JZENG	DATE 2014/12/22	DOCUMENT NO. SD-151130-0001		
	$F_B=0$	2 PLACES	± 0.13	± ---	APPROVED BY HLWANG06	DATE 2014/12/23	SHEET NO. 1 OF 1		
		1 PLACE	± 0.20	± ---	MATERIAL NO. 1511300001		THIS DRAWING CONTAINS INFORMATION THAT IS PROPRIETARY TO MOLEX INCORPORATED AND SHOULD NOT BE USED WITHOUT WRITTEN PERMISSION		
		0 PLACE	± ---	± ---	SIZE A3				
		ANGULAR ± 3 °		DRAFT WHERE APPLICABLE MUST REMAIN WITHIN DIMENSIONS					