



Chipsmall Limited consists of a professional team with an average of over 10 year of expertise in the distribution of electronic components. Based in Hongkong, we have already established firm and mutual-benefit business relationships with customers from,Europe,America and south Asia,supplying obsolete and hard-to-find components to meet their specific needs.

With the principle of "Quality Parts,Customers Priority,Honest Operation,and Considerate Service",our business mainly focus on the distribution of electronic components. Line cards we deal with include Microchip,ALPS,ROHM,Xilinx,Pulse,ON,Everlight and Freescale. Main products comprise IC,Modules,Potentiometer,IC Socket,Relay,Connector.Our parts cover such applications as commercial,industrial, and automotives areas.

We are looking forward to setting up business relationship with you and hope to provide you with the best service and solution. Let us make a better world for our industry!



Contact us

Tel: +86-755-8981 8866 Fax: +86-755-8427 6832

Email & Skype: info@chipsmall.com Web: www.chipsmall.com

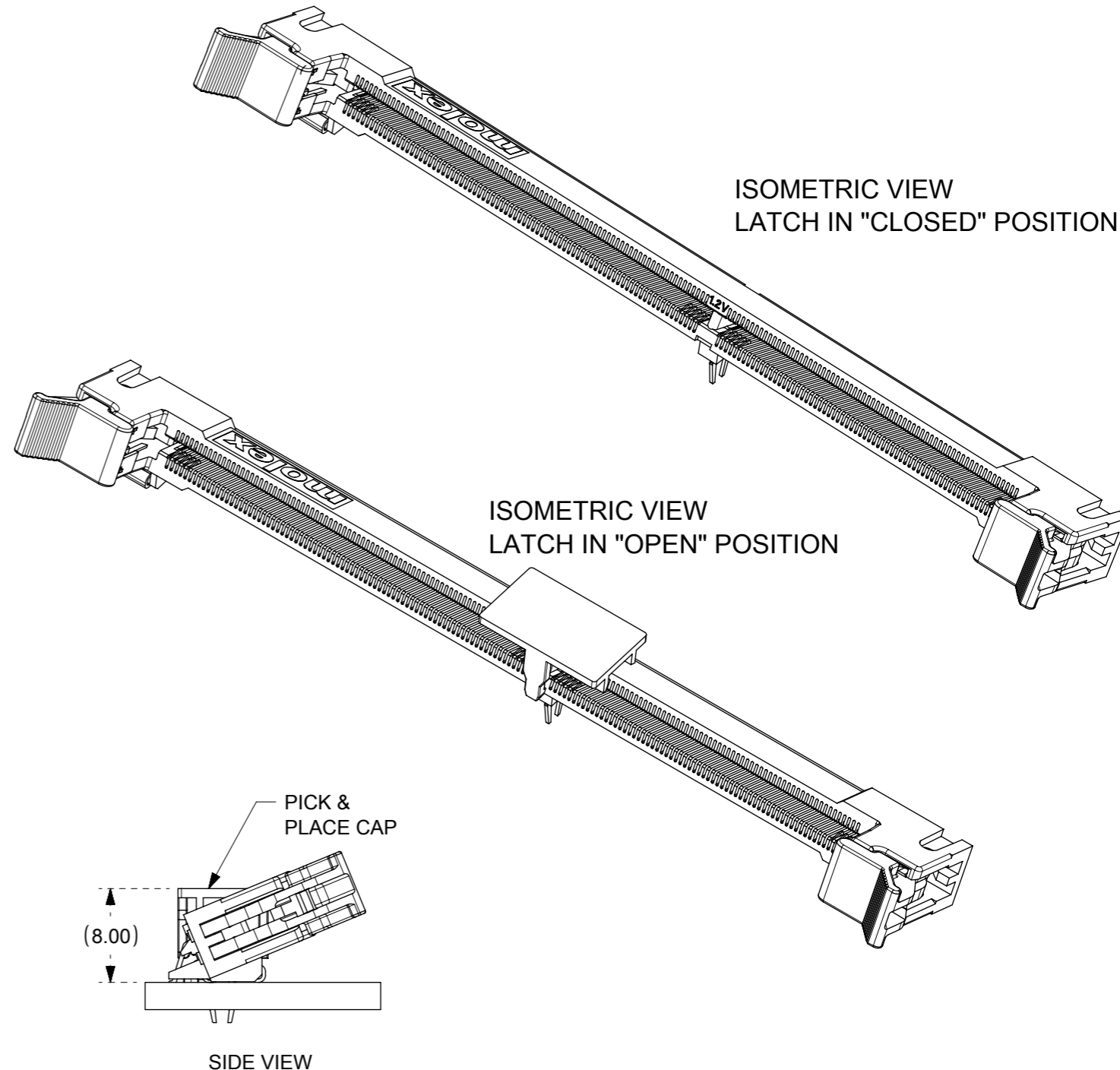
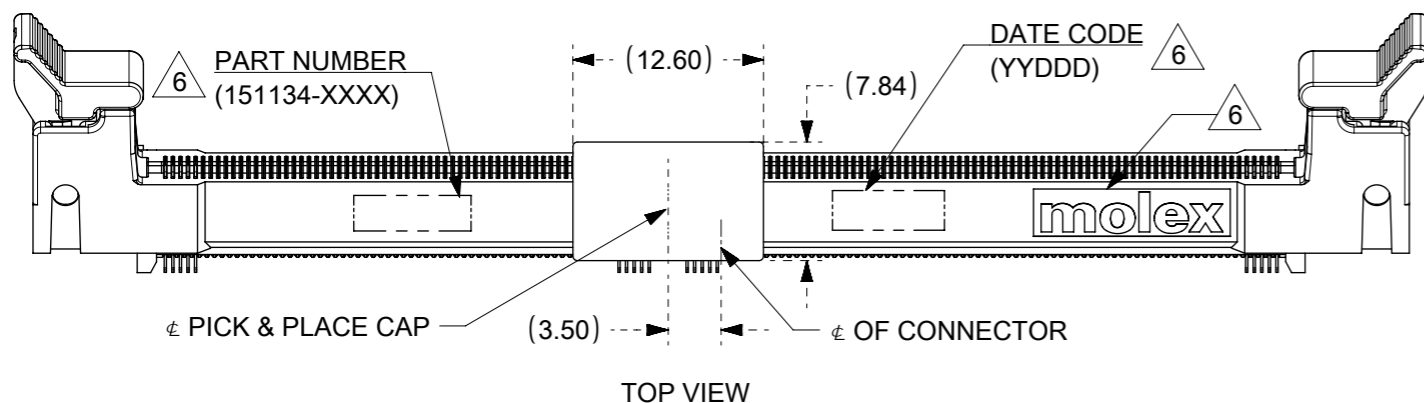
Address: A1208, Overseas Decoration Building, #122 Zhenhua RD., Futian, Shenzhen, China



NOTES:

1. MATERIALS
HOUSING - LIQUID CRYSTAL POLYMER (LCP), GLASS FILLED, UL94 V-0;
COLOR: BLACK
LATCH - POLYAMIDE (PA), GLASS FILLED, UL94 V-0;
COLOR: NATURAL (OFF-WHITE)
TERMINAL - COPPER ALLOY
PCB HOLD-DOWN FEATURES - COPPER ALLOY
2. FINISHES
CONTACT AREA - 0.76 MICROMETER (30 MICROINCH) MINIMUM GOLD OVER
1.25 MICROMETER (50 MICROINCH) MINIMUM NICKEL
SMT TAIL - 2.54 MICROMETER (100 MICROINCH) MINIMUM TIN OVER
1.25 MICROMETER (50 MICROINCH) MINIMUM NICKEL
PCB HOLD-DOWN FEATURES - 2.54 MICROMETER (100 MICROINCH) MINIMUM TIN OVER
1.25 MICROMETER (50 MICROINCH) MINIMUM NICKEL
3. PRODUCT SPECIFICATION: SEE TABLE
4. PACKAGING SPECIFICATION: SEE TABLE
5. CARD SLOT ACCEPTS 1.40±0.10mm MODULE THICKNESS
(MEASURED OVER P.C. PADS).
6. MOLEX LOGO, DATE & PART NO. INDICATED ON SIDE OF HOUSING
7. MODULE SEATING PLANE FROM TOP OF PCB.
8. KEEP-OUT ZONE FOR LATCH
9. KEEP-OUT AREA IS THE AREA WHERE THE CONNECTOR IS MOUNTED
ONTO THE PCB (INCLUDING LATCH IN THE OPEN POSITION).
10. CONNECTOR APPLICATION GUIDELINE: AS-151134-0001.
11. PCB ROUTING RECOMMENDATION: AS-151134-0002.

CONNECTOR WITH PICK & PLACE CAP

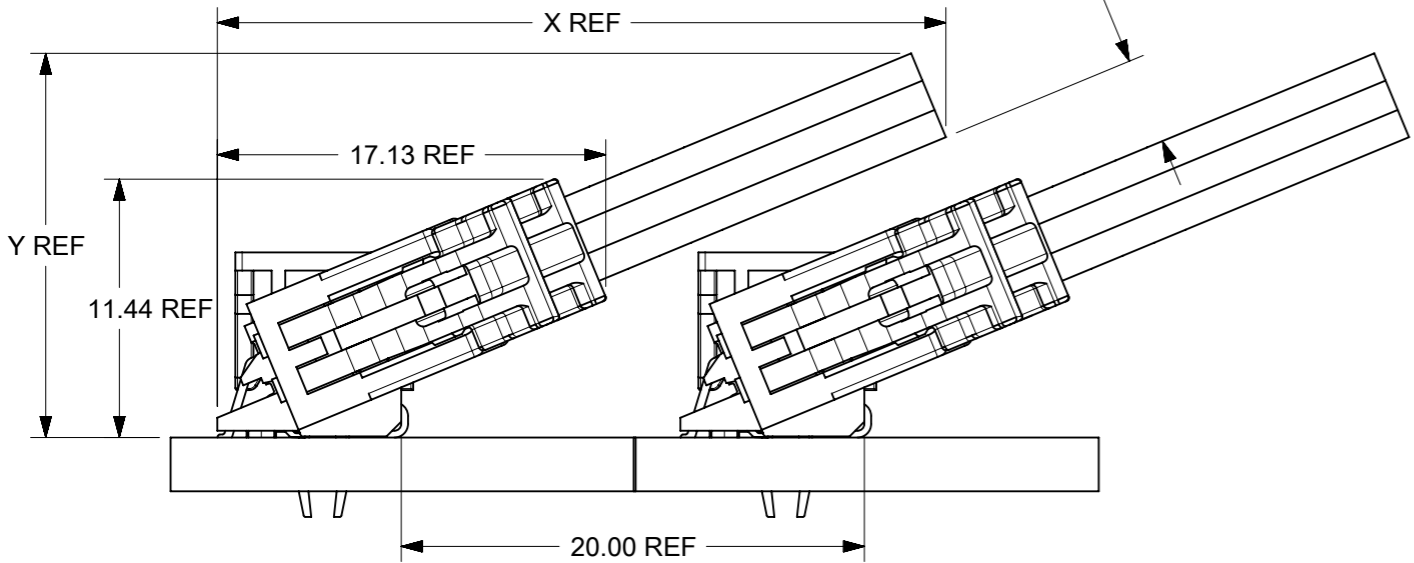
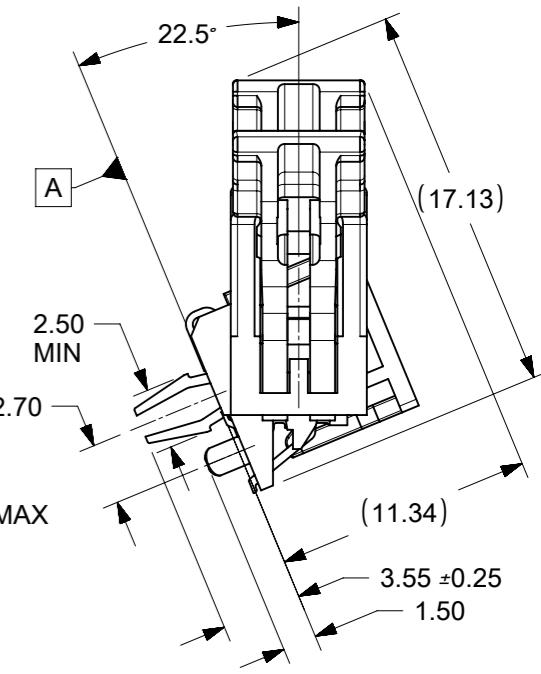
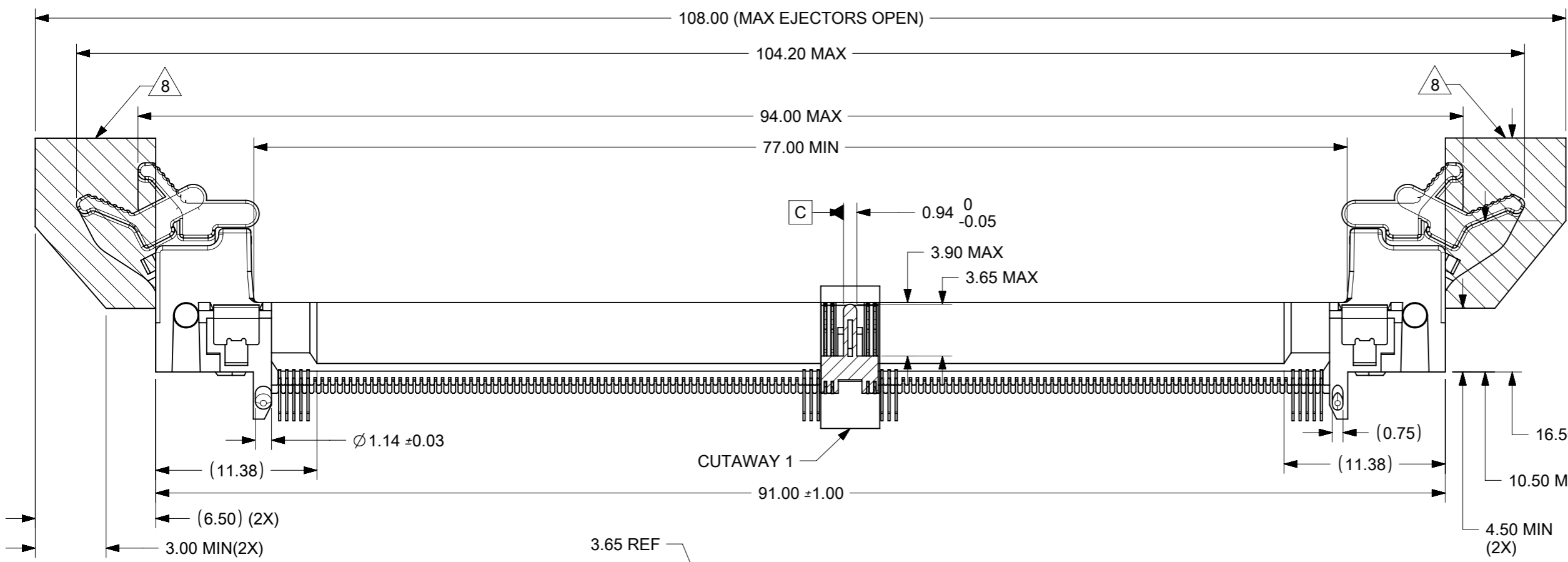
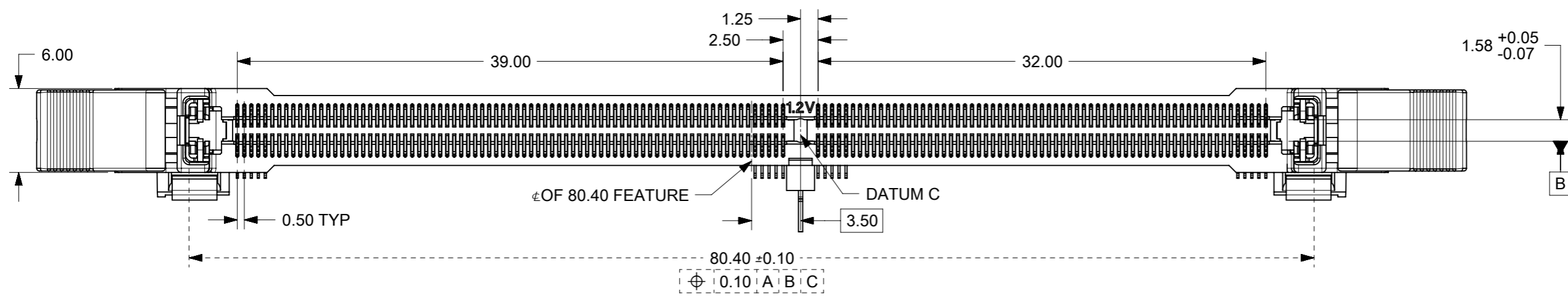


THIS DESIGN IS BASED ON DESIGN OBJECTIVES AND IS STRICTLY TENTATIVE. IT MAY CHANGE BASED ON RESULTS OF ADDITIONAL DESIGN REVIEWS AND VERIFICATIONS.

ASSEMBLY PART NUMBER	PICK & PLACE CAP	PRODUCT SPECIFICATION	PACKAGING SPECIFICATION
151134-0001	NO	PS-151134-0001	PK-151134-0001
151134-0003	YES		

RELEASE STATUS	RELEASE DATE
----------------	--------------

THIS DRAWING CONTAINS INFORMATION THAT IS PROPRIETARY TO MOLEX ELECTRONIC TECHNOLOGIES, LLC AND SHOULD NOT BE USED WITHOUT WRITTEN PERMISSION											
QUALITY SYMBOLS		UPDATE P&P/GRIPPER		EC NO: 115677		DRWN: EKSOH		CHK'D: EKSOH		REV APPR: SHLENI	
FA	= 0	GENERAL TOLERANCES (UNLESS SPECIFIED)		DIMENSION UNITS		SCALE					
FE	= 0	ANGULAR TOL ± 3.0 °		MM		NTS					
FB	= 0	4 PLACES ±		DRWN BY		DATE		DDR4 MINI DIMM, 0.50MM REV.ANGLE 22.5 DEG. 288 CKTS SMT			
FC	= 0	3 PLACES ±		EKSOH		2015/09/28					
FD	= 0	2 PLACES ± 0.2		CHK'D BY		DATE		PRODUCT CUSTOMER DRAWING			
FE	= 0	1 PLACE ±		EKSOH		2015/09/28					
FF	= 0	0 PLACES ±		APPR BY		DATE		SERIES: 151134 MATERIAL NUMBER: SEE TABLE CUSTOMER: GENERAL MARKET			
FG	= 0	DRAFT WHERE APPLICABLE MUST REMAIN WITHIN DIMENSIONS		SHLENI		2016/07/19					
FH	= 0			DRAWING SIZE		THIRD ANGLE PROJECTION		DOCUMENT NUMBER: SD-151134-0001 DOC TYPE: PSD DOC PART: 000 SHEET NUMBER: 1 OF 4			
FI	= 0			A3							

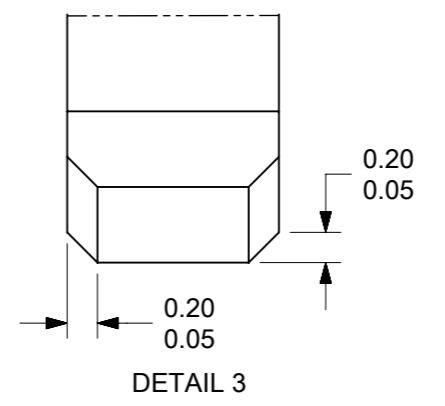
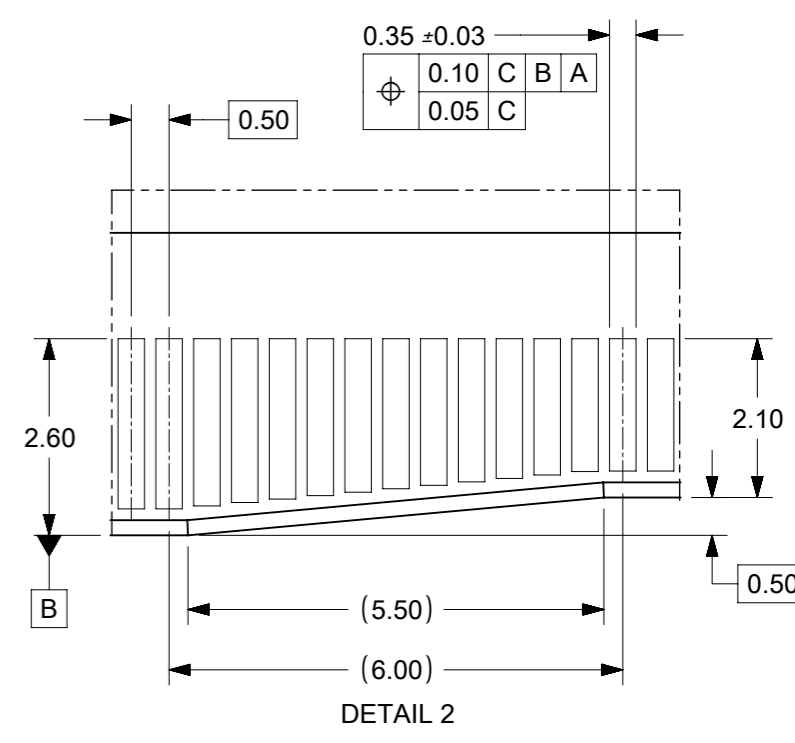
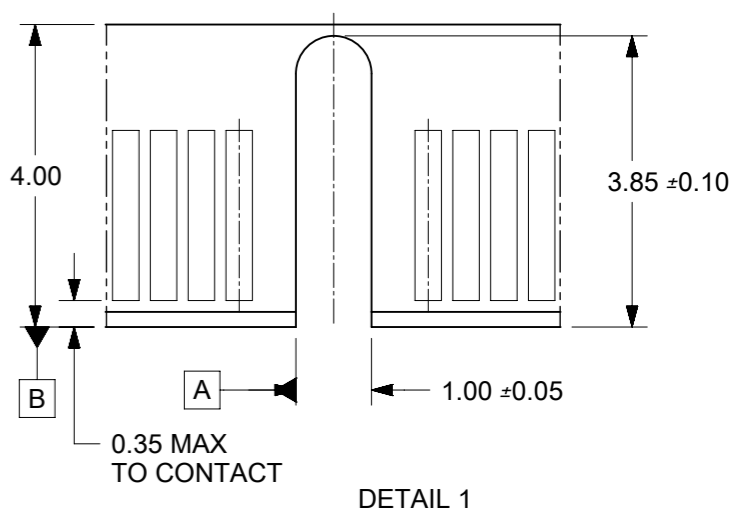
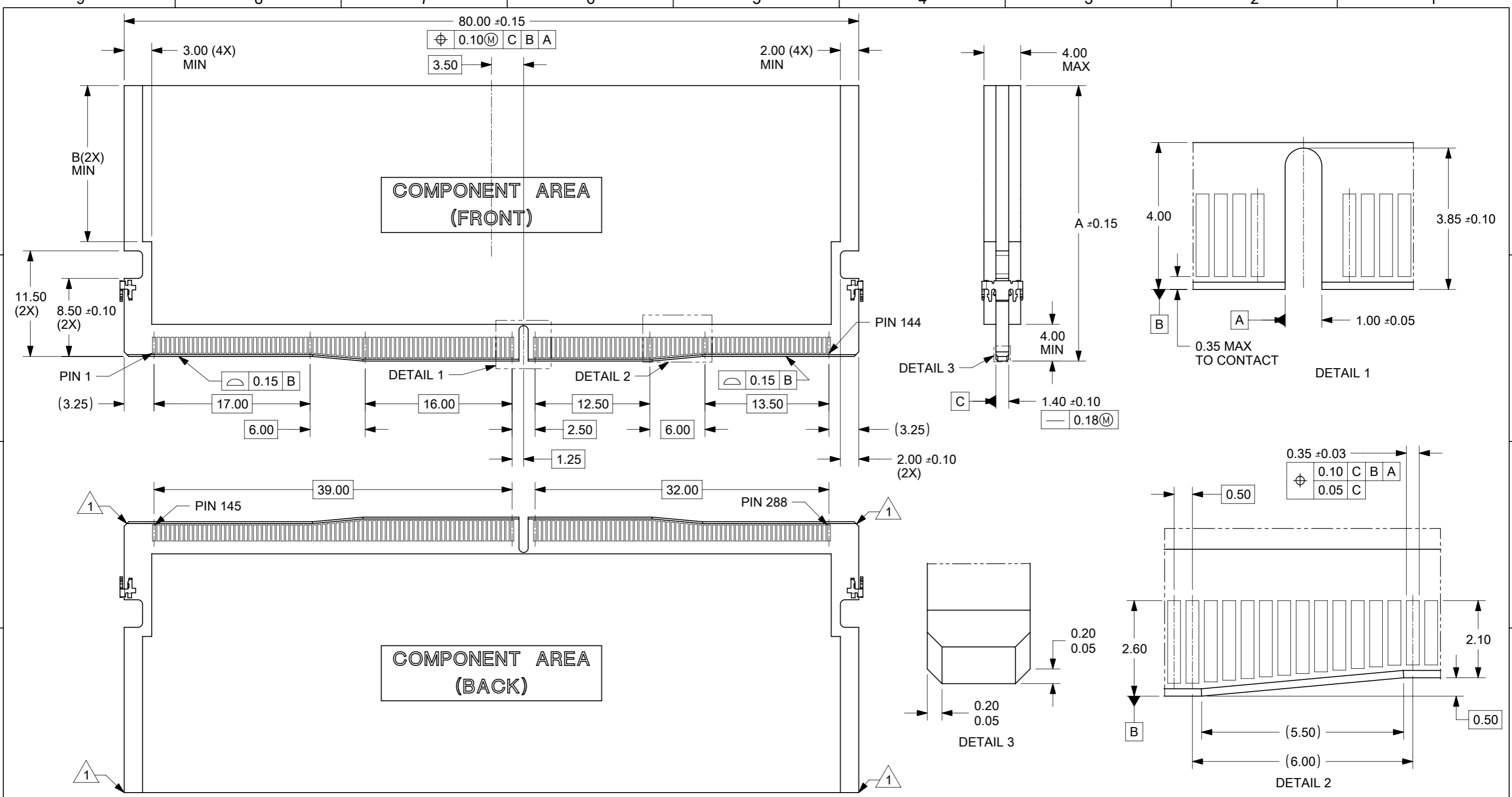


TYPE OF MODULE CARD	X	Y
STANDARD	32.12	16.98
VLP	21.72	12.68

RELEASE STATUS	RELEASE DATE

THIS DRAWING CONTAINS INFORMATION THAT IS PROPRIETARY TO MOLEX ELECTRONIC TECHNOLOGIES, LLC AND SHOULD NOT BE USED WITHOUT WRITTEN PERMISSION

QUALITY SYMBOLS FA = 0 FE = 0 FB = 0 FV = 0 FC = 0 FX = 0 FS = 0 FT = 0	EC NO: 115677 DRWN: EKSOH CHK'D: EKSOH APPR: SHLENI	2017/04/12 2017/04/20 2017/04/21	UPDATE P&P/GRIPPER EKSOH EKSOH SHLENI	GENERAL TOLERANCES (UNLESS SPECIFIED) ANGULAR TOL ± 3.0 ° 4 PLACES ± 3 PLACES ± 2 PLACES ± 0.2 1 PLACE ± 0 PLACES ± DRAFT WHERE APPLICABLE MUST REMAIN WITHIN DIMENSIONS	DIMENSION UNITS: MM SCALE: NTS DRWN BY: EKSOH DATE: 2015/09/28 CHK'D BY: EKSOH DATE: 2015/09/28 APPR BY: SHLENI DATE: 2016/07/19 DRAWING SIZE: A3 THIRD ANGLE PROJECTION	
	PRODUCT CUSTOMER DRAWING				SERIES: 151134 MATERIAL NUMBER: SEE TABLE CUSTOMER: GENERAL MARKET	
	DOCUMENT NUMBER: SD-151134-0001 DOC TYPE: PSD DOC PART: 000 SHEET NUMBER: 2 OF 4					

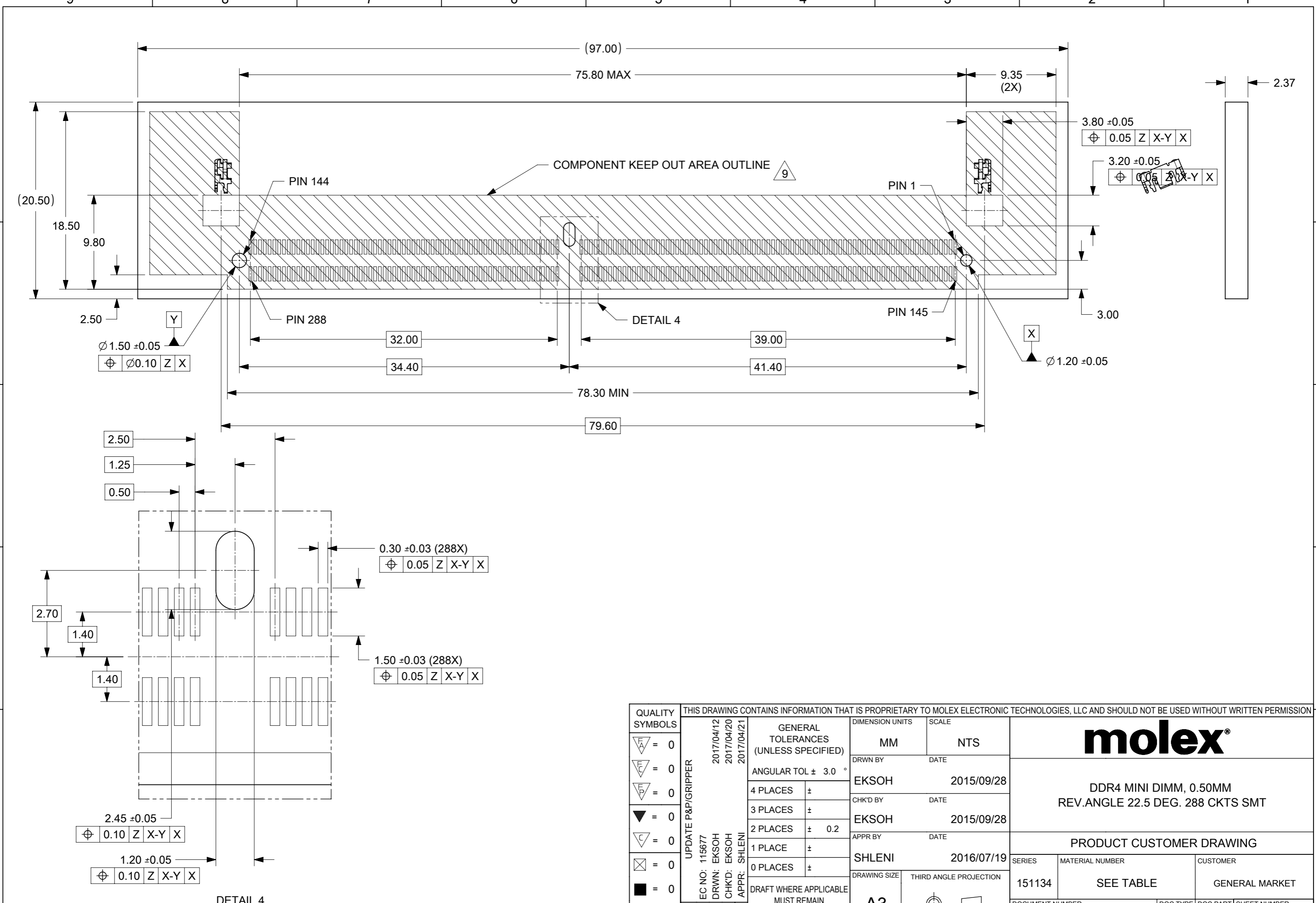


NOTE:
 1. CHAMFERS AND/OR RADII AS DEFINED BY JEDEC SOLID STATE PRODUCT OUTLINE

TYPE OF MODULE CARD	A	B
STANDARD	30	17
VLP	18.75	5.75
RELEASE STATUS		
RELEASE DATE		

THIS DRAWING CONTAINS INFORMATION THAT IS PROPRIETARY TO MOLEX ELECTRONIC TECHNOLOGIES, LLC AND SHOULD NOT BE USED WITHOUT WRITTEN PERMISSION

QUALITY SYMBOLS FA = 0 FE = 0 FB = 0 FV = 0 FC = 0 FX = 0 FS = 0 FT = 0	EC NO: 115677 DRWN: EKSOH CHK'D: EKSOH APPR: SHLENI	2017/04/12 2017/04/20 2017/04/21	GENERAL TOLERANCES (UNLESS SPECIFIED) ANGULAR TOL ± 3.0 ° 4 PLACES ± 3 PLACES ± 2 PLACES ± 0.2 1 PLACE ± 0 PLACES ±	DIMENSION UNITS MM	SCALE NTS	<p>DDR4 MINI DIMM, 0.50MM REV.ANGLE 22.5 DEG. 288 CKTS SMT</p> <p>PRODUCT CUSTOMER DRAWING</p>				
	UPDATE P&P/GRIPPER EC NO: 115677 DRWN: EKSOH CHK'D: EKSOH APPR: SHLENI	2017/04/12 2017/04/20 2017/04/21	DRWN BY EKSOH	DATE 2015/09/28	CHK'D BY EKSOH		DATE 2015/09/28	SERIES 151134	MATERIAL NUMBER SEE TABLE	CUSTOMER GENERAL MARKET
	APPR BY SHLENI	DATE 2016/07/19	DRAWING SIZE A3	THIRD ANGLE PROJECTION	DOCUMENT NUMBER SD-151134-0001		DOC TYPE PSD	DOC PART 000	SHEET NUMBER 3 OF 4	
	B	REV	DRAFT WHERE APPLICABLE MUST REMAIN WITHIN DIMENSIONS							



THIS DRAWING CONTAINS INFORMATION THAT IS PROPRIETARY TO MOLEX ELECTRONIC TECHNOLOGIES, LLC AND SHOULD NOT BE USED WITHOUT WRITTEN PERMISSION												
QUALITY SYMBOLS	UPDATE P&P/GRIPPER EC NO: 115677 DRWN: EKSOH CHK'D: EKSOH REV APPR: SHLENI	GENERAL TOLERANCES (UNLESS SPECIFIED)		DIMENSION UNITS	SCALE							
		ANGULAR TOL ± 3.0 °		MM	NTS							
FA = 0	DRAFT WHERE APPLICABLE MUST REMAIN WITHIN DIMENSIONS	4 PLACES ±	DRWN BY	DATE		DDR4 MINI DIMM, 0.50MM REV.ANGLE 22.5 DEG. 288 CKTS SMT						
FE = 0		3 PLACES ±	EKSOH	2015/09/28								
FF = 0		2 PLACES ± 0.2	CHK'D BY	DATE								
FD = 0		1 PLACE ±	EKSOH	2015/09/28		PRODUCT CUSTOMER DRAWING						
FX = 0		0 PLACES ±	1 PLACE ±	APPR BY	DATE		SERIES	MATERIAL NUMBER	CUSTOMER			
FC = 0			0 PLACES ±	SHLENI	2016/07/19		151134	SEE TABLE	GENERAL MARKET			
FX = 0			DRAWING SIZE	THIRD ANGLE PROJECTION		DOCUMENT NUMBER		DOC TYPE	DOC PART	SHEET NUMBER		
FD = 0			A3			SD-151134-0001		PSD	000	4 OF 4		

RELEASE STATUS	RELEASE DATE
----------------	--------------