



Chipsmall Limited consists of a professional team with an average of over 10 year of expertise in the distribution of electronic components. Based in Hongkong, we have already established firm and mutual-benefit business relationships with customers from,Europe,America and south Asia,supplying obsolete and hard-to-find components to meet their specific needs.

With the principle of “Quality Parts,Customers Priority,Honest Operation,and Considerate Service”,our business mainly focus on the distribution of electronic components. Line cards we deal with include Microchip,ALPS,ROHM,Xilinx,Pulse,ON,Everlight and Freescale. Main products comprise IC,Modules,Potentiometer,IC Socket,Relay,Connector.Our parts cover such applications as commercial,industrial, and automotives areas.

We are looking forward to setting up business relationship with you and hope to provide you with the best service and solution. Let us make a better world for our industry!



Contact us

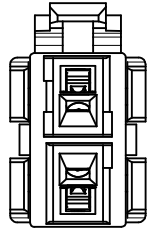
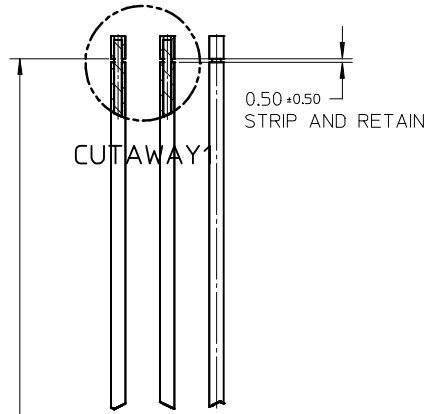
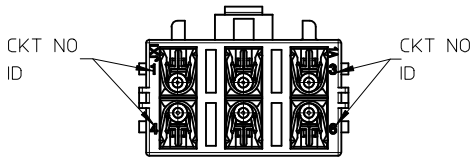
Tel: +86-755-8981 8866 Fax: +86-755-8427 6832

Email & Skype: info@chipsmall.com Web: www.chipsmall.com

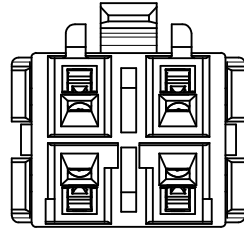
Address: A1208, Overseas Decoration Building, #122 Zhenhua RD., Futian, Shenzhen, China



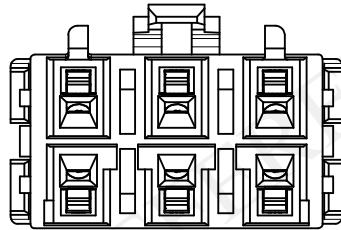
MOLEX P/N	FCT P/N	MATERIAL DESCRIPTION	HOUSING	RETAINER	TERMINAL	WIRE 1 BLACK (B)	WIRE 2 WHITE (W)	LENGTH L (mm)	CKT NO.						WIRE CUT LENGTH
									1	2	3	4	5	6	
1511832200	KAB2370L0.7V03	FCT CP6.50 SG/END HARNESS 2 CKT ORANGE	1510492200	511430105	50598 -8000	150206 -0002	150206 -0001	700	B	W	-	-	-	-	688±2
1511832201	KAB2370L0.7V02	FCT CP6.50 SG/END HARNESS 2 CKT BLUE	1510492201						B	W	-	-	-	-	
1511832203	KAB2370L0.7V01	FCT CP6.50 SG/END HARNESS 2 CKT YELLOW	1510492203	B					W	-	-	-	-		
1511832401	KAB2371L0.7V01	FCT CP6.50 SG/END HARNESS 4 CKT BLUE	1510492401	B					W	W	W	-	-		
1511832406	KAB2371L0.7V02	FCT CP6.50 SG/END HARNESS 4 CKT BLACK	1510492406	B					W	W	W	-	-		
1511832601	KAB2372L0.7V02	FCT CP6.50 SG/END HARNESS 6 CKT BLUE	1510492601	B					W	W	W	W	W		
1511832609	KAB2372L0.7V01	FCT CP6.50 SG/END HARNESS 6 CKT RED	1510492609	B	W	W	W	W	W						



2 CKTS 1511832200 ORANGE
2 CKTS 1511832201 BLUE
2 CKST 1511832203 YELLOW

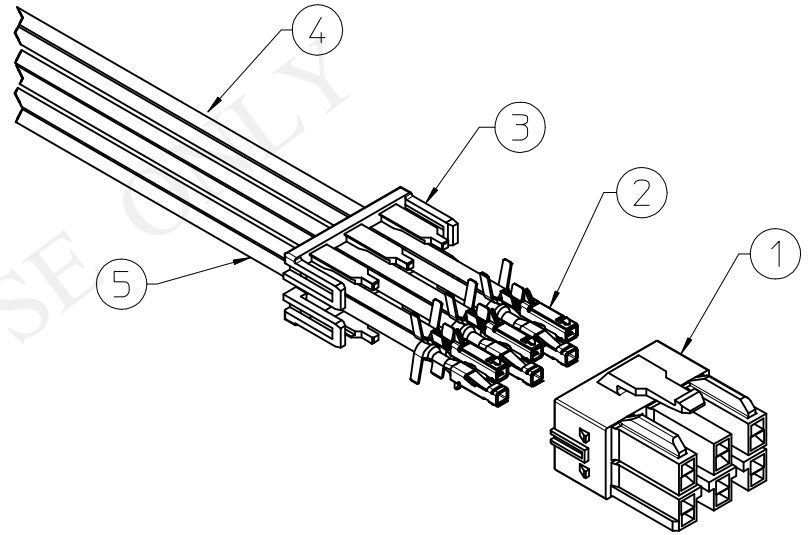


4 CKTS 1511832401 BLUE
4 CKST 1511832406 BLACK



6 CKTS 1511832601 BLUE
6 CKTS 1511832609 RED

NOTE:
FOR CRIMP SPECIFICATION AND STRIP LENGTH DETAILS,
REFER TO DOCUMENT CS-50598/50600



THIS VIEW IS ONLY FOR ILLUSTRATION

5	1502060001	CABLE WHITE	5
4	1502060002	CABLE BLACK	1
3	511430305	RETAINER	2
2	505988000	CRIMP TERMINAL	6
1	151049260*	RECEPTACLE HOUSING 6 CKTS	1
ITEM NO	PART NO	DESCRIPTION	QTY

INITIAL RELEASE EC NO: S2016-0631 DRW: EANG CHKD: APPR: EANG 2	DESCRIPTION 2016/01/08 2016/01/11	QUALITY SYMBOLS	GENERAL TOLERANCES (UNLESS SPECIFIED)	DIMENSION STYLE	SCALE	DESIGN UNITS	THIRD ANGLE PROJECTION																
		$F_A=0$ $F_G=0$ $F_P=0$	<table border="1"> <thead> <tr> <th></th> <th>mm</th> <th>INCH</th> </tr> </thead> <tbody> <tr> <td>4 PLACES</td> <td>± ---</td> <td>± ---</td> </tr> <tr> <td>3 PLACES</td> <td>± ---</td> <td>± ---</td> </tr> <tr> <td>2 PLACES</td> <td>± ---</td> <td>± ---</td> </tr> <tr> <td>1 PLACE</td> <td>± ---</td> <td>± ---</td> </tr> <tr> <td>0 PLACE</td> <td>± ---</td> <td>± ---</td> </tr> </tbody> </table>		mm	INCH	4 PLACES	± ---	± ---	3 PLACES	± ---	± ---	2 PLACES	± ---	± ---	1 PLACE	± ---	± ---	0 PLACE	± ---	± ---	MM ONLY	NTS
	mm	INCH																					
4 PLACES	± ---	± ---																					
3 PLACES	± ---	± ---																					
2 PLACES	± ---	± ---																					
1 PLACE	± ---	± ---																					
0 PLACE	± ---	± ---																					
		DRAFT WHERE APPLICABLE MUST REMAIN WITHIN DIMENSIONS	SEE TABLE	DRAWN BY: EANG DATE: 2015/09/04 CHECKED BY: DATE: APPROVED BY: EANG DATE: 2015/09/28		TITLE: CP 6.50 SINGLE ENDED HARNESS ASSY, 2 TO 6 CKT WITH WIRE AWG 20 molex																	
				MATERIAL NO.	DOCUMENT NO.	SHEET NO.																	
				SIZE: A3	SD-151183-0001		1 OF 1																
THIS DRAWING CONTAINS INFORMATION THAT IS PROPRIETARY TO MOLEX INCORPORATED AND SHOULD NOT BE USED WITHOUT WRITTEN PERMISSION																							