



Chipsmall Limited consists of a professional team with an average of over 10 year of expertise in the distribution of electronic components. Based in Hongkong, we have already established firm and mutual-benefit business relationships with customers from,Europe,America and south Asia,supplying obsolete and hard-to-find components to meet their specific needs.

With the principle of “Quality Parts,Customers Priority,Honest Operation,and Considerate Service”,our business mainly focus on the distribution of electronic components. Line cards we deal with include Microchip,ALPS,ROHM,Xilinx,Pulse,ON,Everlight and Freescale. Main products comprise IC,Modules,Potentiometer,IC Socket,Relay,Connector.Our parts cover such applications as commercial,industrial, and automotives areas.

We are looking forward to setting up business relationship with you and hope to provide you with the best service and solution. Let us make a better world for our industry!



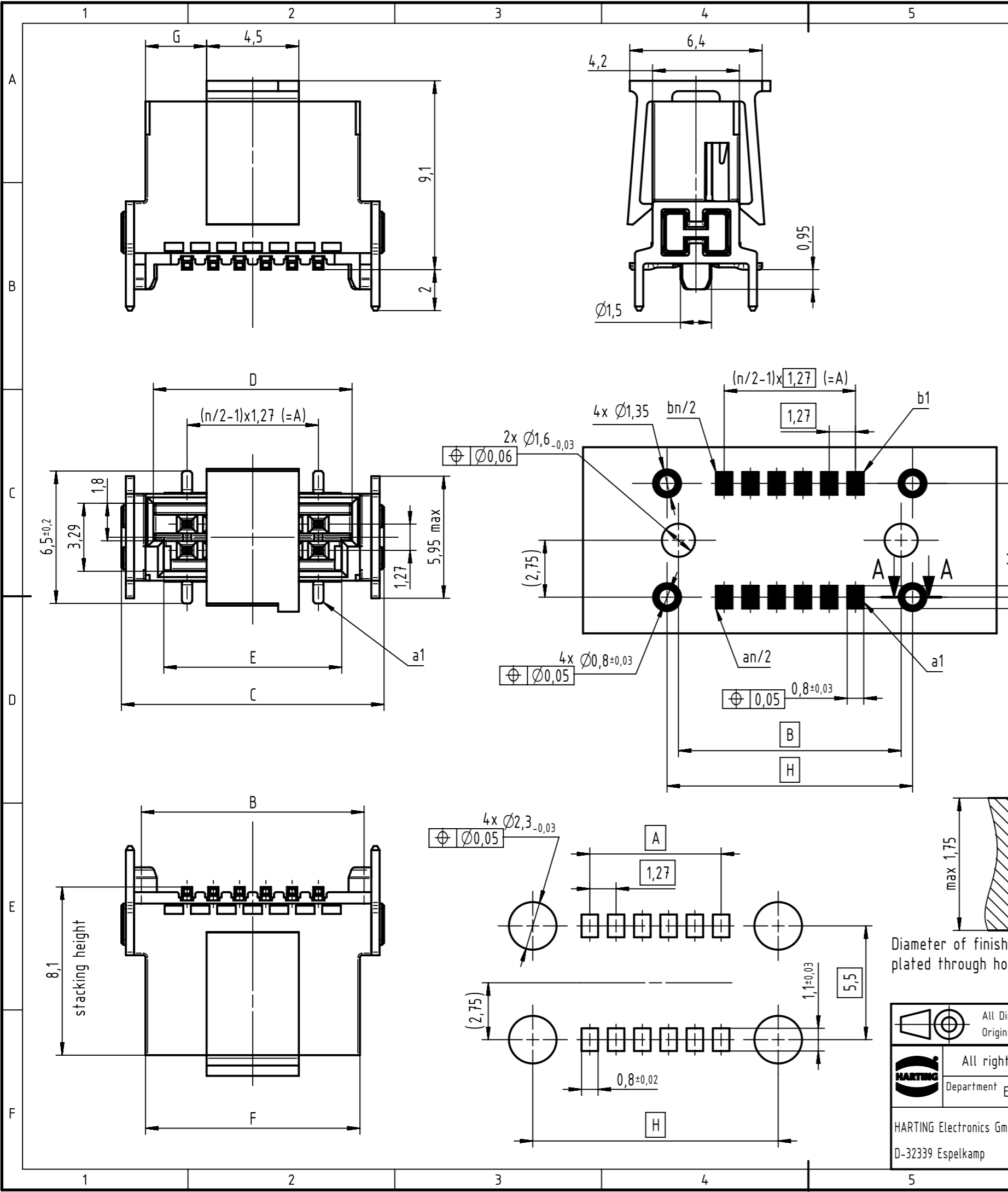
Contact us

Tel: +86-755-8981 8866 Fax: +86-755-8427 6832

Email & Skype: info@chipsmall.com Web: www.chipsmall.com

Address: A1208, Overseas Decoration Building, #122 Zhenhua RD., Futian, Shenzhen, China

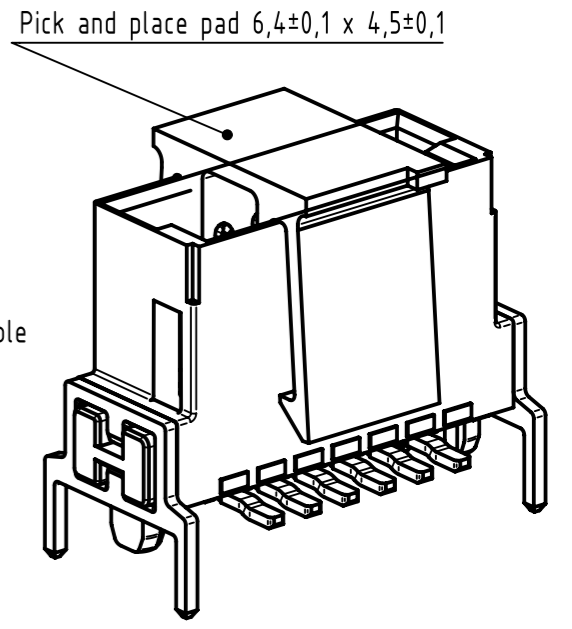
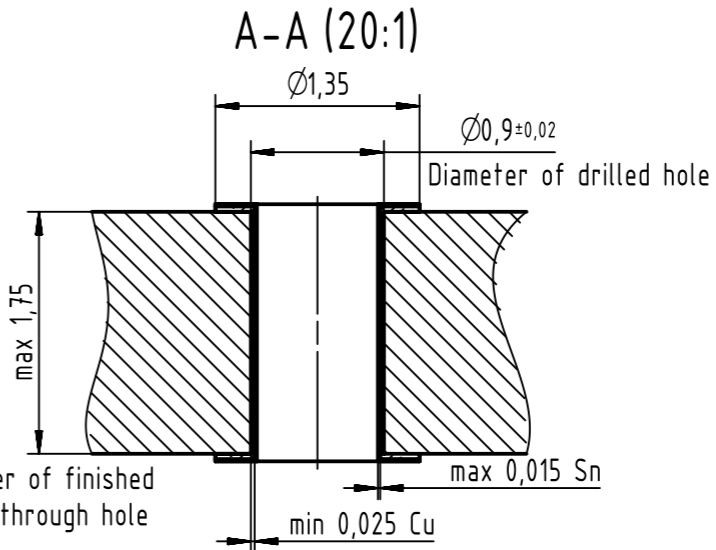




Part number	no. of contacts	A	B	C	D	E	F	G	H
1512006x401xxx	6	2,54	6,96	8,89	5,76	4,76	6,56	1,05	8,06
1512012x401xxx	12	6,35	10,77	12,70	9,57	8,57	10,37	2,96	11,87
1512016x401xxx	16	8,89	13,31	15,24	12,11	11,11	12,91	4,23	14,41
1512020x401xxx	20	11,43	15,85	17,78	14,65	13,65	15,45	5,50	16,95
1512026x401xxx	26	15,24	19,66	21,59	18,46	17,46	19,26	7,40	20,76
1512032x401xxx	32	19,05	23,47	25,40	22,27	21,27	23,07	9,31	24,57
1512040x401xxx	40	24,13	28,55	30,48	27,35	26,35	28,15	11,85	29,65
1512050x401xxx	50	30,48	34,90	36,83	33,70	32,70	34,50	15,02	36,00
1512068x401xxx	68	41,91	46,33	48,26	45,13	44,13	45,93	20,74	47,43
1512080x401xxx	80	49,53	53,95	55,88	52,75	51,75	53,55	24,55	55,14
1512100x401xxx	100	62,23	66,65	68,58	65,45	64,45	66,25	30,90	67,75

Packaging	
000	tape & reel with 220pcs per reel
333	samples

performance level	
2	PL1:>500 mating cycles
6	PL2:>250 mating cycles
5	min 0,06µm Au over 0,7+0,2µm PdNi



Find further technical information on the drawing DS 15111100301

All Dimensions in mm Original Size DIN A3		Scale 5:1	Free size tol.		Ref.
All rights reserved Department EC PD - CN		Created by ZHUANGJ	Inspected by LUOK	Standardisation HOFFMANN	Date 2016-02-01
HARTING Electronics GmbH D-32339 Espelkamp		Title har-flex assembly Str.male 3,25mm THR hold down			State Final Release
		Type TB	Number 1512XXXX401XXX		Doc-Key / ECM-Nr. 100632974/UGD/000/B 50000099948
					Rev. B
					Page 1/1