



Chipsmall Limited consists of a professional team with an average of over 10 year of expertise in the distribution of electronic components. Based in Hongkong, we have already established firm and mutual-benefit business relationships with customers from,Europe,America and south Asia,supplying obsolete and hard-to-find components to meet their specific needs.

With the principle of “Quality Parts,Customers Priority,Honest Operation,and Considerate Service”,our business mainly focus on the distribution of electronic components. Line cards we deal with include Microchip,ALPS,ROHM,Xilinx,Pulse,ON,Everlight and Freescale. Main products comprise IC,Modules,Potentiometer,IC Socket,Relay,Connector.Our parts cover such applications as commercial,industrial, and automotives areas.

We are looking forward to setting up business relationship with you and hope to provide you with the best service and solution. Let us make a better world for our industry!



Contact us

Tel: +86-755-8981 8866 Fax: +86-755-8427 6832

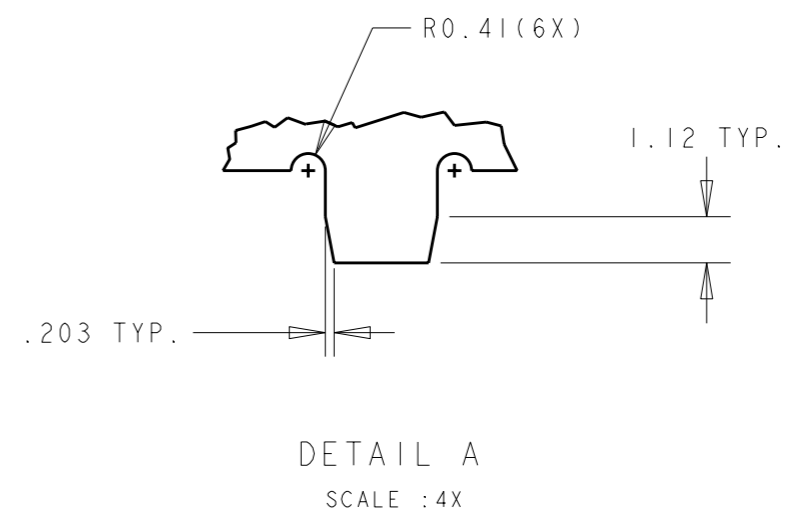
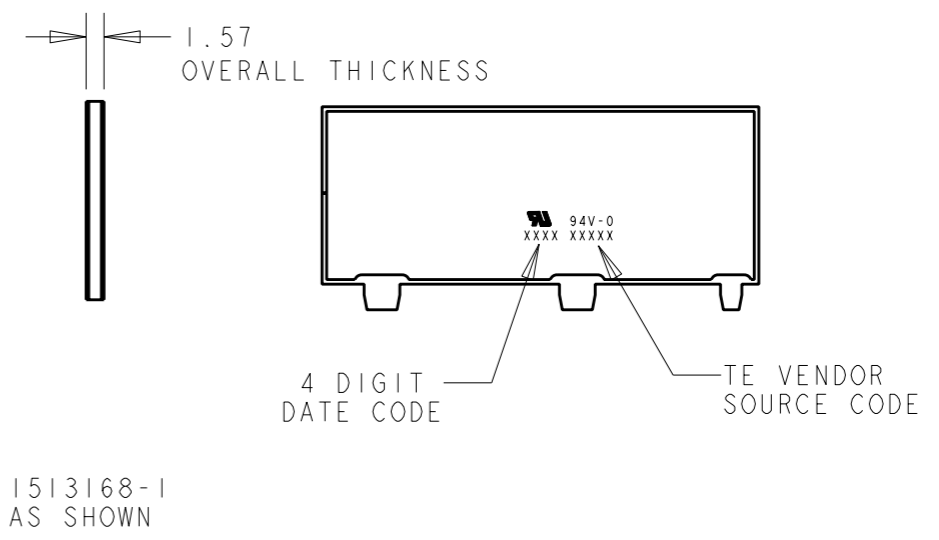
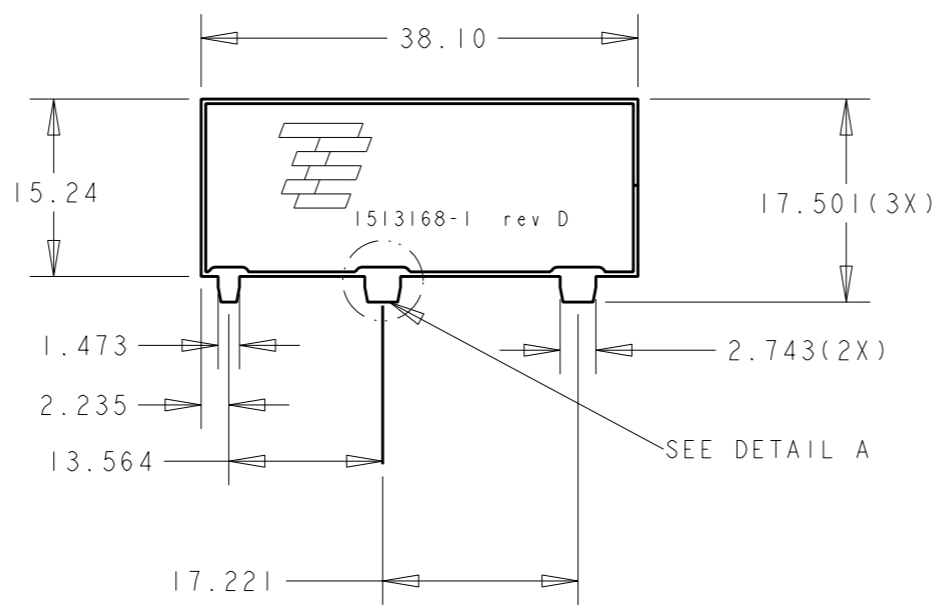
Email & Skype: info@chipsmall.com Web: www.chipsmall.com

Address: A1208, Overseas Decoration Building, #122 Zhenhua RD., Futian, Shenzhen, China



THIS DRAWING IS UNPUBLISHED. RELEASED FOR PUBLICATION 20
 © COPYRIGHT 20 BY TYCO ELECTRONICS CORPORATION. ALL RIGHTS RESERVED.

LOC	DIST	REVISIONS			
P	LTR	DESCRIPTION	DATE	DWN	APVD
HQ	00	B	Update PN identification	12MAY2003	MAH MAH
		C	Finish note revised	25OCT2005	DJL MAH
		CI	Dimensions updated	02NOV2005	DJL MAH
		D	Update notes / logo	04AUG2009	APV APV



- NOTES: UNLESS OTHERWISE SPECIFIED.
- FABRICATE TO MEET IPC - 6012, CLASS 2. INSPECT TO MEET IPC - A - 600, CLASS 2.
 - PRIMARY AND SECONDARY SIDES SHOWN.
 - MATERIAL: GETEK 8 PLY (7628) 1.49 THK. GRADE RG200D 1/2 OZ. COPPER BOTH SIDES. DIELECTRIC CONSTANT @ 1MHZ 4.2±0.1.
 - FINISH:
 A: SOLDERMASK OVER BARE COPPER (SMOBC).
 B: MASK BOTH SIDES OF PCB WITH LPI SOLDERMASK. SOLDERMASK COLOR: NATURAL GREEN.
 C. TOP AND BOTTOM OF TABS E.N.I.G PLATING
 - TWO PLACE TOLERANCES: ±0.23
 - PACKAGING: SINGULATED PARTS TO BE VACUUM PACKED IN BULK.
 - PARTS ARE COMPLIANT TO ROHS STANDARDS PER TYCO ELECTRONICS STANDARD TEC-138-702.
 - CONSULT TYCO ELECTRONICS DATA SHEET DS1513168
 - CONTACT TYCO ELECTRONICS ENGINEERING PRIOR TO DESIGNING INTO AN APPLICATION

<small>THIS DRAWING IS A CONTROLLED DOCUMENT FOR TYCO ELECTRONICS CORPORATION IT IS SUBJECT TO CHANGE AND THE CONTROLLING ENGINEERING ORGANIZATION SHOULD BE CONTACTED FOR THE LATEST REVISION.</small>		DWN DJL	02NOV2005	Tyco Electronics Rochester, NY 14623	
DIMENSIONS: mm		CHK -	APVD -	NAME 900 MHz CTO Antenna	
		PRODUCT SPEC -	APPLICATION SPEC -	SIZE A3	CAGE CODE 00779
TOLERANCES UNLESS OTHERWISE SPECIFIED: 0 PLC ± 1 PLC ± 2 PLC ± 3 PLC ± 4 PLC ± ANGLES ±		WEIGHT -	DRAWING NO 1513168		RESTRICTED TO -
MATERIAL -		CUSTOMER DRAWING		SCALE 3:2	SHEET 1 OF 1 REV D