



Chipsmall Limited consists of a professional team with an average of over 10 year of expertise in the distribution of electronic components. Based in Hongkong, we have already established firm and mutual-benefit business relationships with customers from,Europe,America and south Asia,supplying obsolete and hard-to-find components to meet their specific needs.

With the principle of “Quality Parts,Customers Priority,Honest Operation,and Considerate Service”,our business mainly focus on the distribution of electronic components. Line cards we deal with include Microchip,ALPS,ROHM,Xilinx,Pulse,ON,Everlight and Freescale. Main products comprise IC,Modules,Potentiometer,IC Socket,Relay,Connector.Our parts cover such applications as commercial,industrial, and automotives areas.

We are looking forward to setting up business relationship with you and hope to provide you with the best service and solution. Let us make a better world for our industry!



Contact us

Tel: +86-755-8981 8866 Fax: +86-755-8427 6832

Email & Skype: info@chipsmall.com Web: www.chipsmall.com

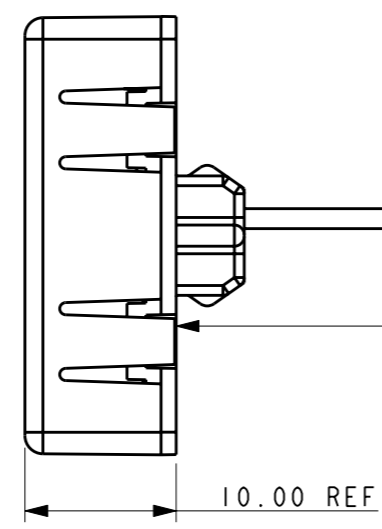
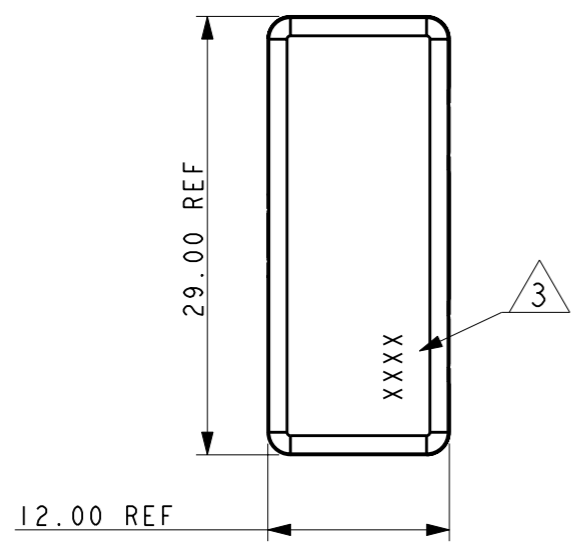
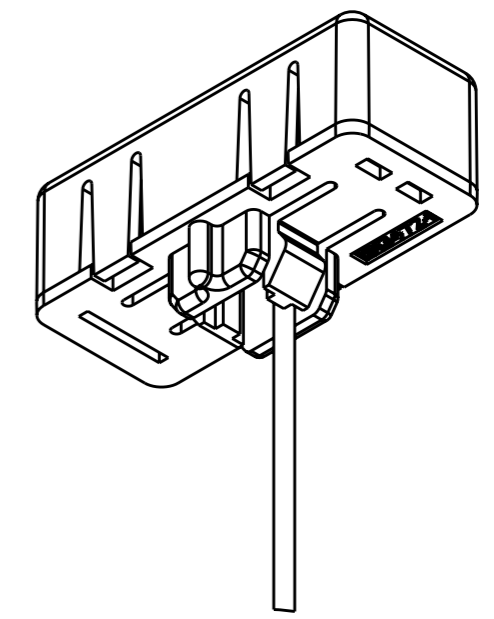
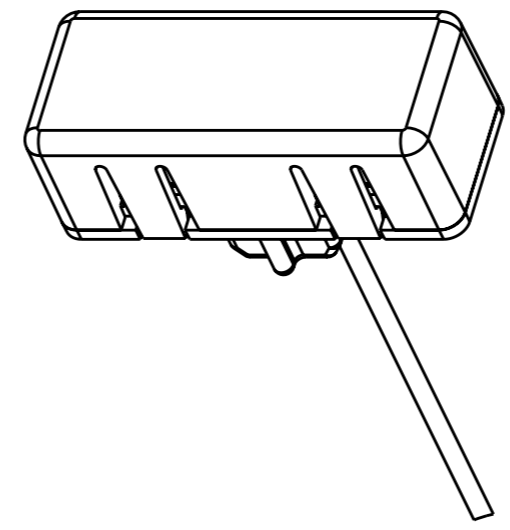
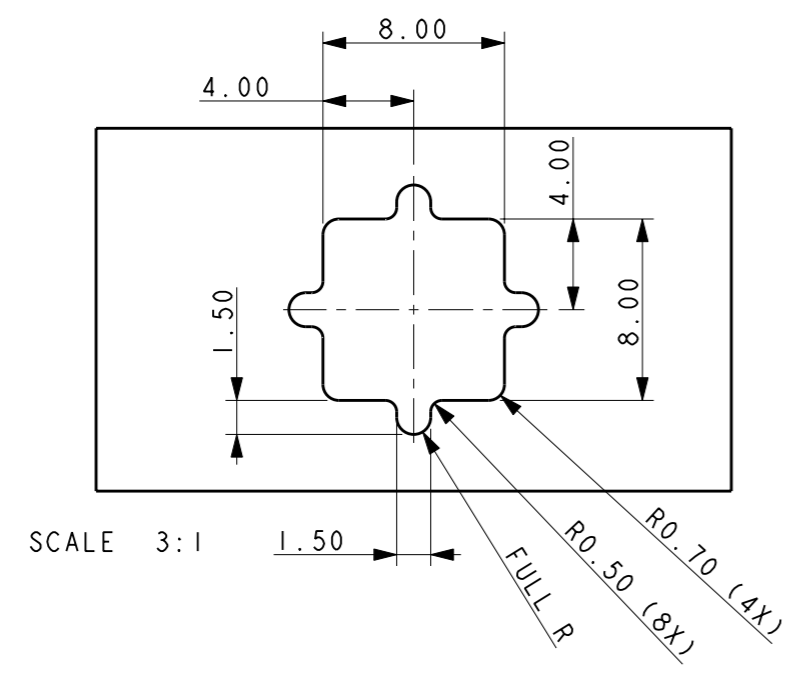
Address: A1208, Overseas Decoration Building, #122 Zhenhua RD., Futian, Shenzhen, China



THIS DRAWING IS UNPUBLISHED. RELEASED FOR PUBLICATION
 © COPYRIGHT - BY TYCO ELECTRONICS CORPORATION. ALL RIGHTS RESERVED.

LOC	DIST	REVISIONS			
P	LTR	DESCRIPTION	DATE	DWN	APVD
AJ	00	A	RELEASE	31AUG2010	DW GG

PANEL CUTOUT DIMENSIONS
 (Tolerances .XX ±0.1)



365±25

CENTER LINE OF CENTER CONTACT

ORDER P/N 1513381-1

NOTES: UNLESS OTHERWISE SPECIFIED.

- 1 MINI COAX CABLE DIAMETER 1.13 mm TERMINATED WITH U.FL CONNECTOR.
- 2. COMPONENTS AND ASSEMBLY ARE COMPLIANT TO RoHS STANDARDS.
- 3 4 DIGIT DATE CODE IN THIS AREA. FIRST 2 DIGITS DESIGNATE THE YEAR CODE AND THE THIRD AND FORTH DIGITS DESIGNATE THE WEEK.

<small>THIS DRAWING IS A CONTROLLED DOCUMENT FOR TYCO ELECTRONICS CORPORATION IT IS SUBJECT TO CHANGE AND THE CONTROLLING ENGINEERING ORGANIZATION SHOULD BE CONTACTED FOR THE LATEST REVISION.</small>		DWN	29MAR2010		Tyco Electronics Rochester, NY 14623						
DIMENSIONS:		CHK	-								
mm		APVD	-		NAME UNIVERSAL ANTENNA MODULE (UAM) WLAN						
		PRODUCT SPEC	-								
TOLERANCES UNLESS OTHERWISE SPECIFIED:		APPLICATION SPEC	-		SIZE	CAGE CODE	DRAWING NO	RESTRICTED TO			
0 PLC ±-		WEIGHT	-		A3	-	C-1513381	-			
1 PLC ±-		CUSTOMER DRAWING		SCALE	2:1	SHEET	1	OF	1	REV	A
2 PLC ±-											
3 PLC ±-											
4 PLC ±-											
ANGLES ±-											
MATERIAL -											
FINISH -											