



Chipsmall Limited consists of a professional team with an average of over 10 year of expertise in the distribution of electronic components. Based in Hongkong, we have already established firm and mutual-benefit business relationships with customers from,Europe,America and south Asia,supplying obsolete and hard-to-find components to meet their specific needs.

With the principle of "Quality Parts,Customers Priority,Honest Operation,and Considerate Service",our business mainly focus on the distribution of electronic components. Line cards we deal with include Microchip,ALPS,ROHM,Xilinx,Pulse,ON,Everlight and Freescale. Main products comprise IC,Modules,Potentiometer,IC Socket,Relay,Connector.Our parts cover such applications as commercial,industrial, and automotives areas.

We are looking forward to setting up business relationship with you and hope to provide you with the best service and solution. Let us make a better world for our industry!



Contact us

Tel: +86-755-8981 8866 Fax: +86-755-8427 6832

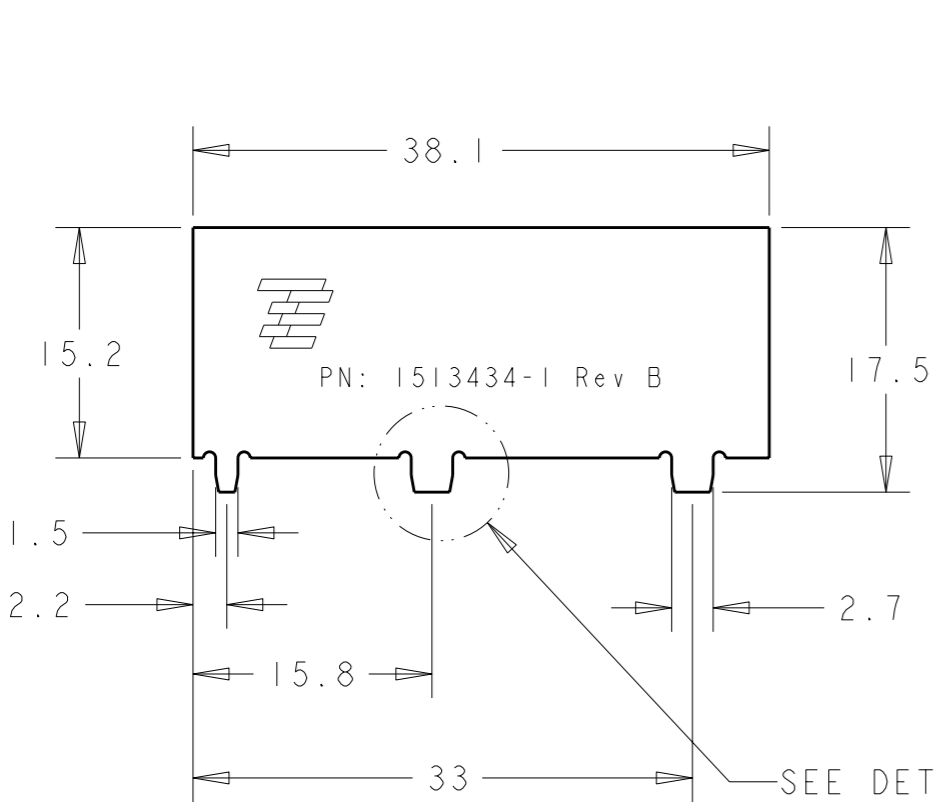
Email & Skype: info@chipsmall.com Web: www.chipsmall.com

Address: A1208, Overseas Decoration Building, #122 Zhenhua RD., Futian, Shenzhen, China

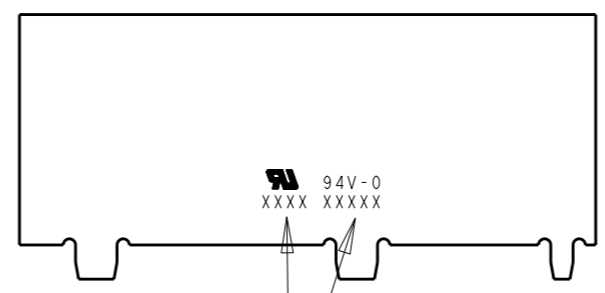


THIS DRAWING IS UNPUBLISHED. RELEASED FOR PUBLICATION 20
 © COPYRIGHT 20 BY TYCO ELECTRONICS CORPORATION. ALL RIGHTS RESERVED.

LOC	DIST	REVISIONS			
P	LTR	DESCRIPTION	DATE	DWN	APVD
HQ	00				
	I	Part number creation	07FEB2005	DJL	MAH
	A	Release	03MAR2005	DJL	MAH
	AI	Updated to RoHS compliant	11JAN2006	DJL	MAH
	B	Rev per ECO 09-028530	05JAN2010	DW	GG

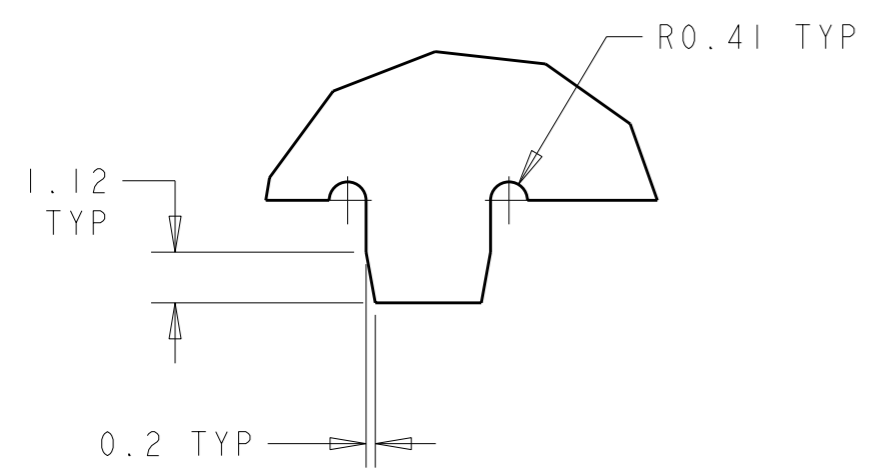


1.57
OVERALL THICKNESS



4 DIGIT DATE CODE
AND
TE VENDOR SOURCE CODE

- NOTES: UNLESS OTHERWISE SPECIFIED.
- FABRICATED TO MEET IPC - 6012, CLASS 2. INSPECT TO MEET IPC - A - 600, CLASS 2.
 - MATERIAL: GETEK 8 PLY (7628) 1.49 THK. P/N RG200D 1/2 OZ. COPPER BOTH SIDES. DIELECTRIC CONSTANT @ 1MHz 4.2 ± 0.1.
 - PRIMARY AND SECONDARY SIDE SHOWN.
 - FINISH:
A: SOLDERMASK OVER BARE COPPER (SMOBC).
B: MASK BOTH SIDES OF PCB WITH LPI SOLDERMASK. SOLDERMASK COLOR: NATURAL GREEN.
C: TOP AND BOTTOM OF TABS E.N.I.G PLATING
 - TWO PLACE TOLERANCES: ±0.23
 - PACKAGING: SINGULATED PARTS TO BE VACUUM PACKED IN BULK.
 - PARTS ARE COMPLIANT TO ROHS STANDARDS PER TYCO ELECTRONICS STANDARD TEC-138-702.
 - CONSULT TYCO ELECTRONICS DATA SHEET DSI513434
 - CONTACT TYCO ELECTRONICS ENGINEERING PRIOR TO DESIGNING INTO AN APPLICATION



DETAIL A
SCALE 6:1

THIS DRAWING IS A CONTROLLED DOCUMENT FOR TYCO ELECTRONICS CORPORATION IT IS SUBJECT TO CHANGE AND THE CONTROLLING ENGINEERING ORGANIZATION SHOULD BE CONTACTED FOR THE LATEST REVISION.		DWN DJL	11JAN2006	Tyco Electronics Rochester, New York 14623	
DIMENSIONS: mm		CHK -	APVD -		
TOLERANCES UNLESS OTHERWISE SPECIFIED:		PRODUCT SPEC -	APPLICATION SPEC -	European Dual Band 880-960MHz 1710-1880MHz Antenna	
0 PLC ±-		WEIGHT -	SIZE A3	CAGE CODE 00779	DRAWING NO C-1513434
1 PLC ±-		CUSTOMER DRAWING	SCALE -	SHEET 1	OF 1
2 PLC ±-			RESTRICTED TO -	REV B	
3 PLC ±-					
4 PLC ±-					
ANGLES ±-					
FINISH -					