



Chipsmall Limited consists of a professional team with an average of over 10 year of expertise in the distribution of electronic components. Based in Hongkong, we have already established firm and mutual-benefit business relationships with customers from,Europe,America and south Asia,supplying obsolete and hard-to-find components to meet their specific needs.

With the principle of “Quality Parts,Customers Priority,Honest Operation,and Considerate Service”,our business mainly focus on the distribution of electronic components. Line cards we deal with include Microchip,ALPS,ROHM,Xilinx,Pulse,ON,Everlight and Freescale. Main products comprise IC,Modules,Potentiometer,IC Socket,Relay,Connector.Our parts cover such applications as commercial,industrial, and automotives areas.

We are looking forward to setting up business relationship with you and hope to provide you with the best service and solution. Let us make a better world for our industry!



Contact us

Tel: +86-755-8981 8866 Fax: +86-755-8427 6832

Email & Skype: info@chipsmall.com Web: www.chipsmall.com

Address: A1208, Overseas Decoration Building, #122 Zhenhua RD., Futian, Shenzhen, China



4

3

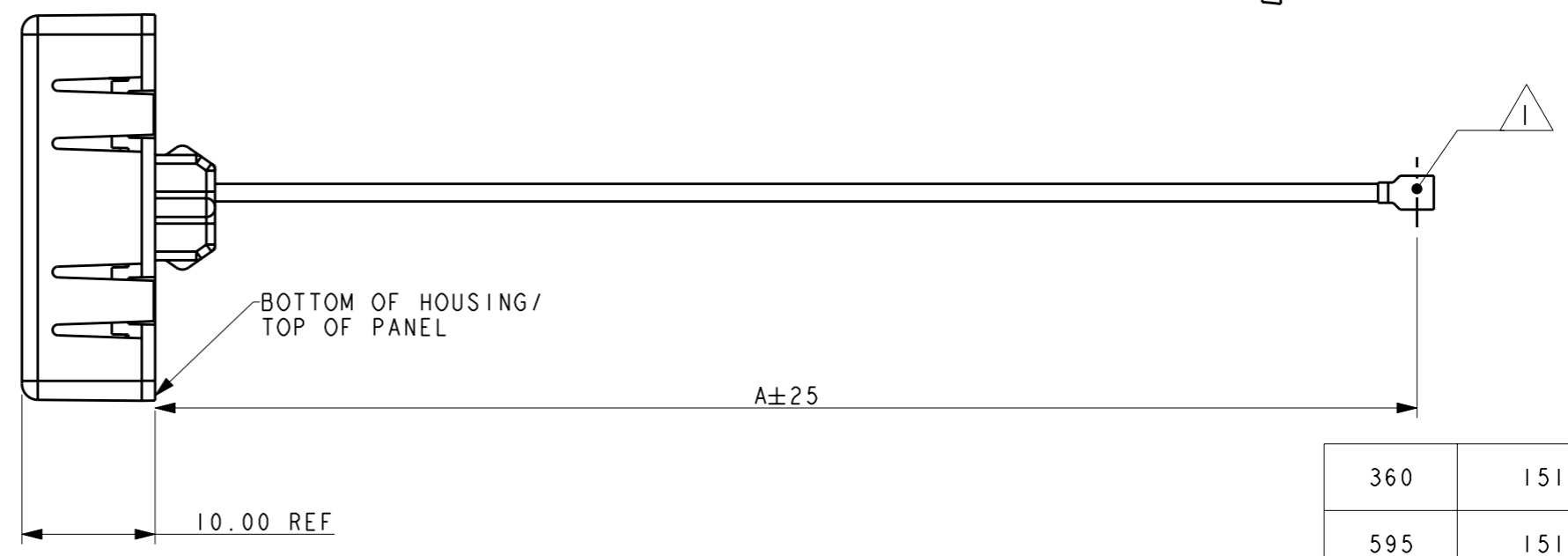
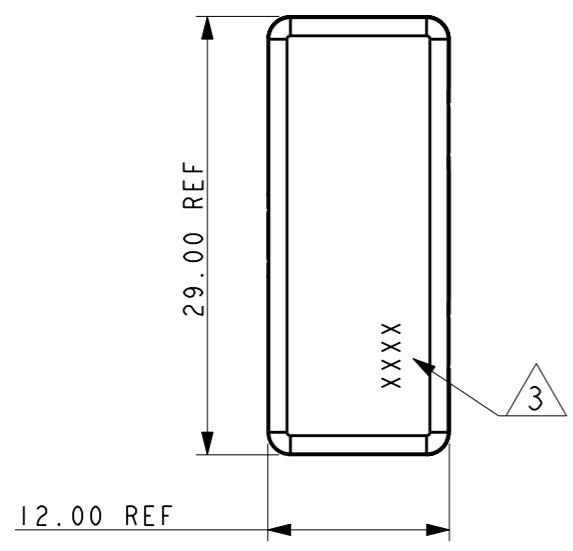
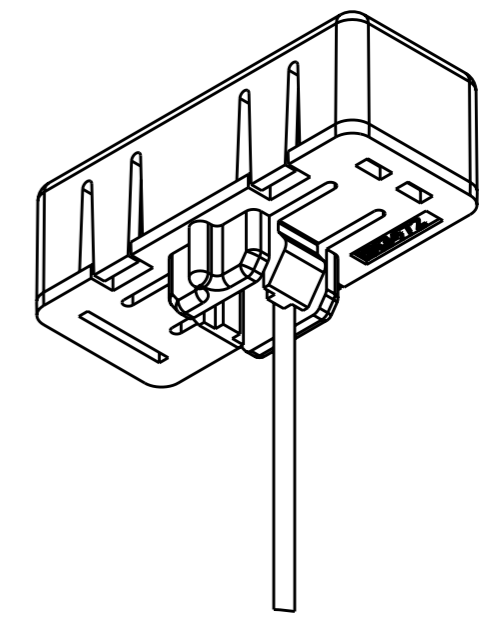
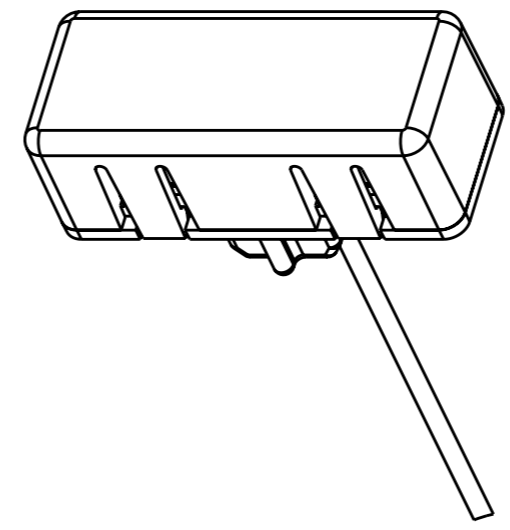
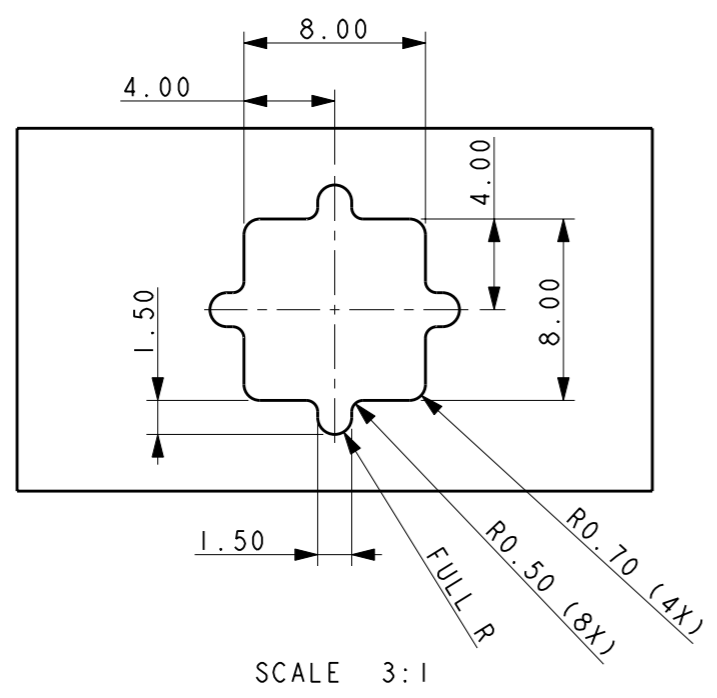
2

1

THIS DRAWING IS UNPUBLISHED. RELEASED FOR PUBLICATION 20
 © COPYRIGHT 20 BY TYCO ELECTRONICS CORPORATION. ALL RIGHTS RESERVED.

LOC	DIST	REVISIONS				
P	LTR	DESCRIPTION	DATE	DWN	APVD	
HQ	00	B	REV PER ECO 10-022420	02NOV2010	DW	GG

PANEL CUTOUT DIMENSIONS
 (Tolerances .XX ±0.10)



360	1513472-5
595	1513472-1
A	PART NUMBER

- NOTES: UNLESS OTHERWISE SPECIFIED.
- 1 MINI COAX CABLE DIAMETER 1.13 mm TERMINATED WITH U.FL CONNECTOR.
 - 2. COMPONENTS AND ASSEMBLY ARE COMPLIANT TO RoHS STANDARDS.
 - 3 4 DIGIT DATE CODE
 - 4. FOR DESIGNS UTILIZING 1513472-1 OR 1513472-5 PLEASE SEE TYCO ELECTRONICS DS1513472-1 OR DS1513472-5 RESPECTIVELY

<small>THIS DRAWING IS A CONTROLLED DOCUMENT FOR TYCO ELECTRONICS CORPORATION IT IS SUBJECT TO CHANGE AND THE CONTROLLING ENGINEERING ORGANIZATION SHOULD BE CONTACTED FOR THE LATEST REVISION.</small>		DWN	APV	25FEB2009	Tyco Electronics Rochester, NY 14623	
DIMENSIONS: mm		CHK	-	-	NAME	
		APVD	-	-	UNIVERSAL ANTENNA MODULE (UAM) WLAN	
TOLERANCES UNLESS OTHERWISE SPECIFIED: 0 PLC ±. 1 PLC ±. 2 PLC ±. 3 PLC ±. 4 PLC ±. ANGLES ±.		PRODUCT SPEC	-	-	SIZE	A3
MATERIAL	-	APPLICATION SPEC	-	-	CAGE CODE	00779
FINISH	-	WEIGHT	-	-	DRAWING NO	C-1513472
CUSTOMER DRAWING			SCALE		2:1	SHEET 1 OF 1
			REV		B	RESTRICTED TO