



Chipsmall Limited consists of a professional team with an average of over 10 year of expertise in the distribution of electronic components. Based in Hongkong, we have already established firm and mutual-benefit business relationships with customers from,Europe,America and south Asia,supplying obsolete and hard-to-find components to meet their specific needs.

With the principle of "Quality Parts,Customers Priority,Honest Operation,and Considerate Service",our business mainly focus on the distribution of electronic components. Line cards we deal with include Microchip,ALPS,ROHM,Xilinx,Pulse,ON,Everlight and Freescale. Main products comprise IC,Modules,Potentiometer,IC Socket,Relay,Connector.Our parts cover such applications as commercial,industrial, and automotives areas.

We are looking forward to setting up business relationship with you and hope to provide you with the best service and solution. Let us make a better world for our industry!



## Contact us

Tel: +86-755-8981 8866 Fax: +86-755-8427 6832

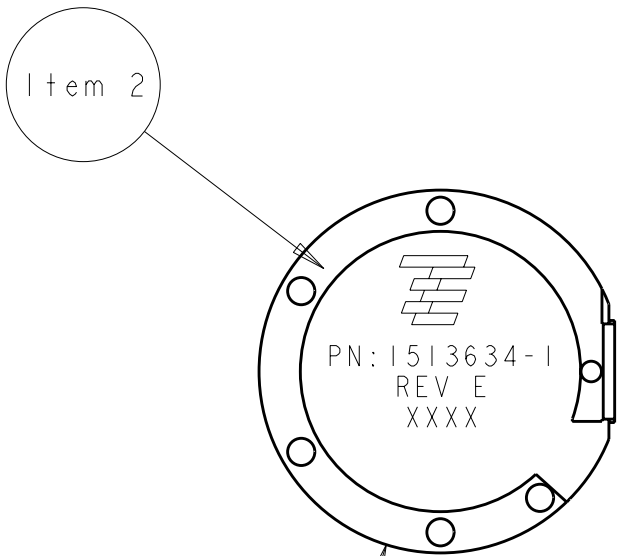
Email & Skype: info@chipsmall.com Web: www.chipsmall.com

Address: A1208, Overseas Decoration Building, #122 Zhenhua RD., Futian, Shenzhen, China

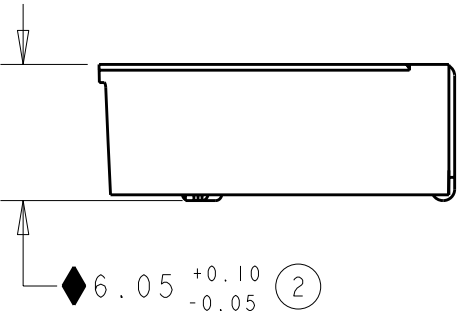


THIS DRAWING IS UNPUBLISHED. RELEASED FOR PUBLICATION 20  
 © COPYRIGHT 20 BY TYCO ELECTRONICS CORPORATION. ALL RIGHTS RESERVED.

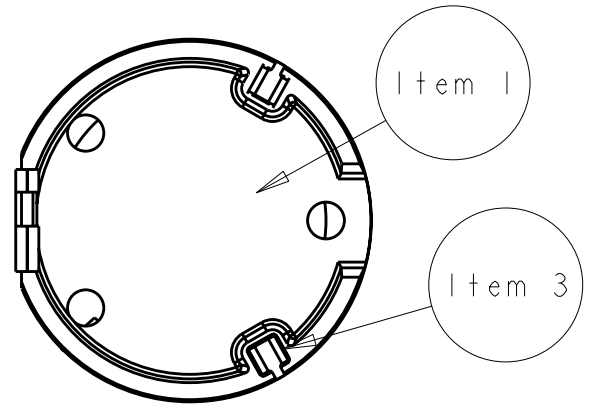
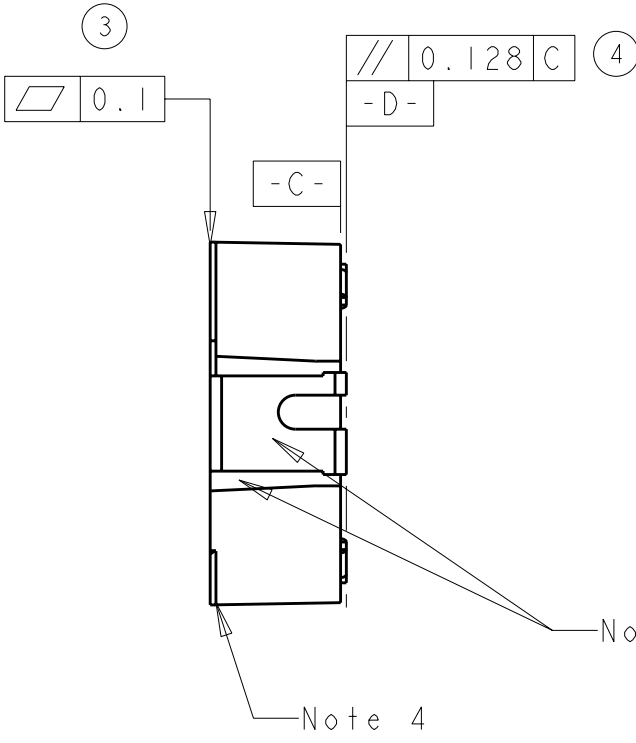
| LOC | DIST | REVISIONS   |               |          |       |
|-----|------|-------------|---------------|----------|-------|
| P   | LTR  | DESCRIPTION | DATE          | DWN      | APVD  |
| HQ  | 00   | E           | REVISED NOTES | 3MAY2010 | DW GG |
|     |      |             |               |          |       |
|     |      |             |               |          |       |



①  
 ♦  $\varnothing 16.00 \pm 0.1$



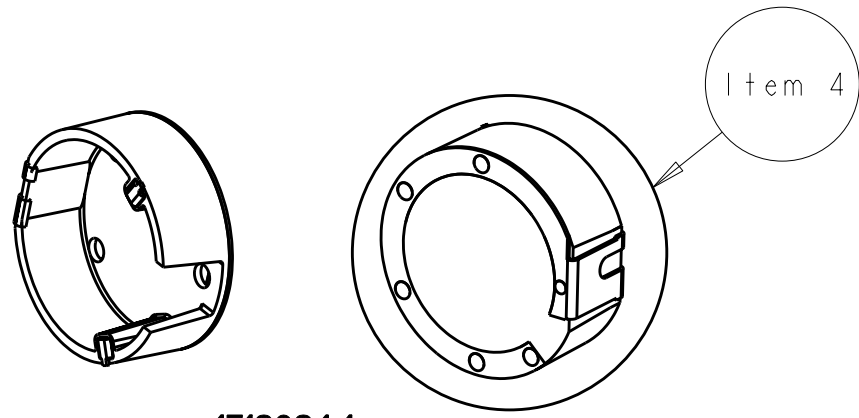
②  
 ♦  $6.05^{+0.10}_{-0.05}$



NOTES:

1. Material-LCP DuPont Zenite 6130L, 30% glass filled, black color.
2. General tolerance block applies unless otherwise specified.
3. All components are compliant to RoHS standards per Tyco Electronics standards TEC-138-702
4. Part will be identified with part number, rev letter, TE logo and 4 digit date code. 1st two digits for the year and the 2nd two digits for the week.
5. Consult Tyco Electronics data sheet 1513634

♦ ONGOING STATISTICAL PROCESS CONTROL REQUIRED (TOTAL 2 PCS.)



1513634-1  
 SCALE 2:1

|  |             |                    |   |                 |
|--|-------------|--------------------|---|-----------------|
| THIS DRAWING IS A CONTROLLED DOCUMENT FOR TYCO ELECTRONICS CORPORATION IT IS SUBJECT TO CHANGE AND THE CONTROLLING ENGINEERING ORGANIZATION SHOULD BE CONTACTED FOR THE LATEST REVISION. |             | DWN MAH 30JUN2006  | Tyco Electronics<br>Rochester, New York 14623 |                 |
| DIMENSIONS: mm   |             | CHK -              | NAME  |                 |
| TOLERANCES UNLESS OTHERWISE SPECIFIED:   |             | APVD -             | Antenna<br>GPS<br>Assembly 1513634-1          |                 |
| 0 PLC ±0.10  | 1 PLC ±0.10 | PRODUCT SPEC -     | SIZE A3                                       | CAGE CODE 00779 |
| 2 PLC ±0.05  | 3 PLC ±0.05 | APPLICATION SPEC - | DRAWING NO C-1513634                          | RESTRICTED TO - |
| 4 PLC ±0.01  | ANGLES ±1°  | WEIGHT -           | SCALE 3:1 SHEET 1 OF 1 REV E                  |                 |
| MATERIAL -   | FINISH -    | CUSTOMER DRAWING   |   |                 |