



Chipsmall Limited consists of a professional team with an average of over 10 year of expertise in the distribution of electronic components. Based in Hongkong, we have already established firm and mutual-benefit business relationships with customers from,Europe,America and south Asia,supplying obsolete and hard-to-find components to meet their specific needs.

With the principle of "Quality Parts,Customers Priority,Honest Operation,and Considerate Service",our business mainly focus on the distribution of electronic components. Line cards we deal with include Microchip,ALPS,ROHM,Xilinx,Pulse,ON,Everlight and Freescale. Main products comprise IC,Modules,Potentiometer,IC Socket,Relay,Connector.Our parts cover such applications as commercial,industrial, and automotives areas.

We are looking forward to setting up business relationship with you and hope to provide you with the best service and solution. Let us make a better world for our industry!



Contact us

Tel: +86-755-8981 8866 Fax: +86-755-8427 6832

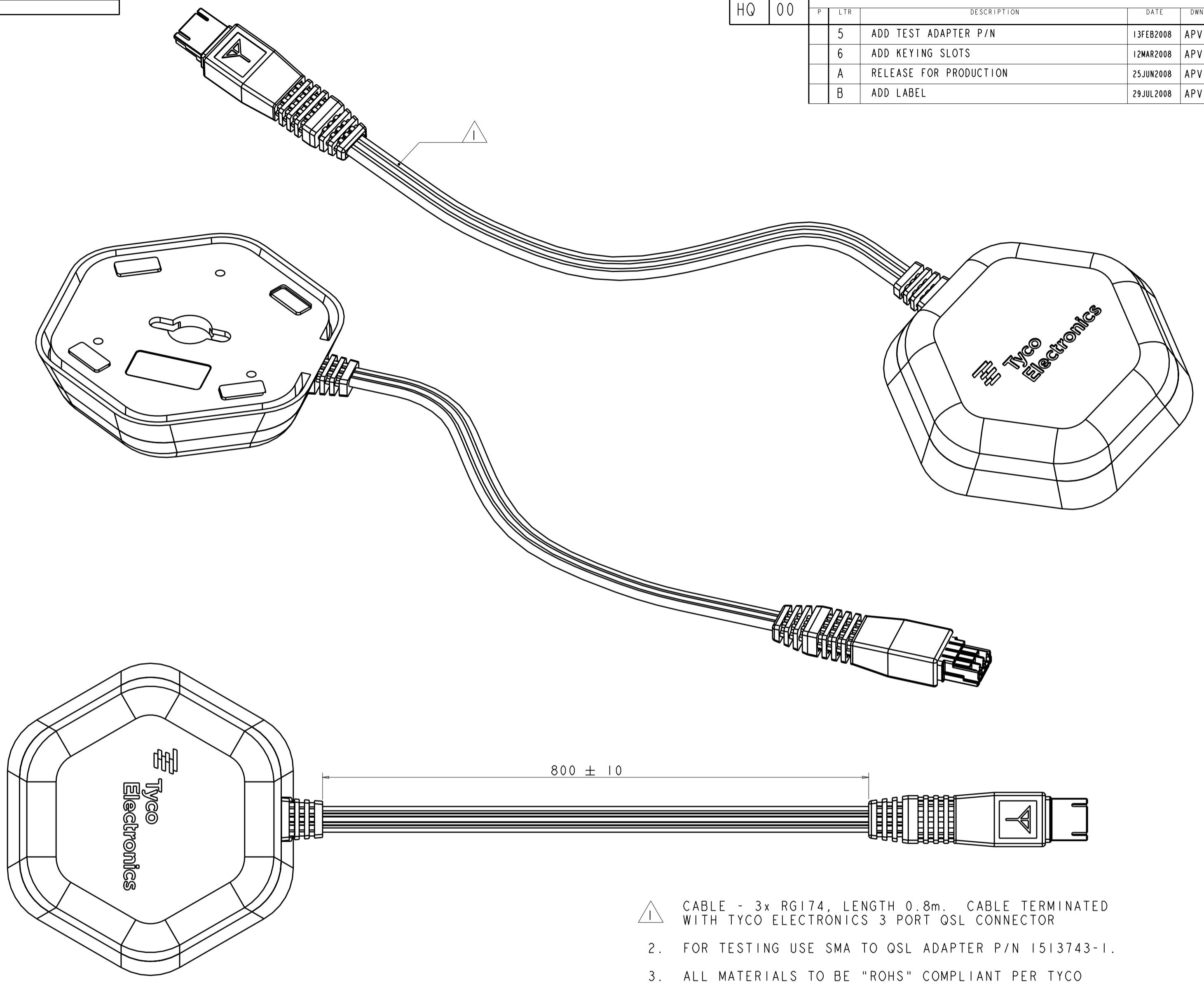
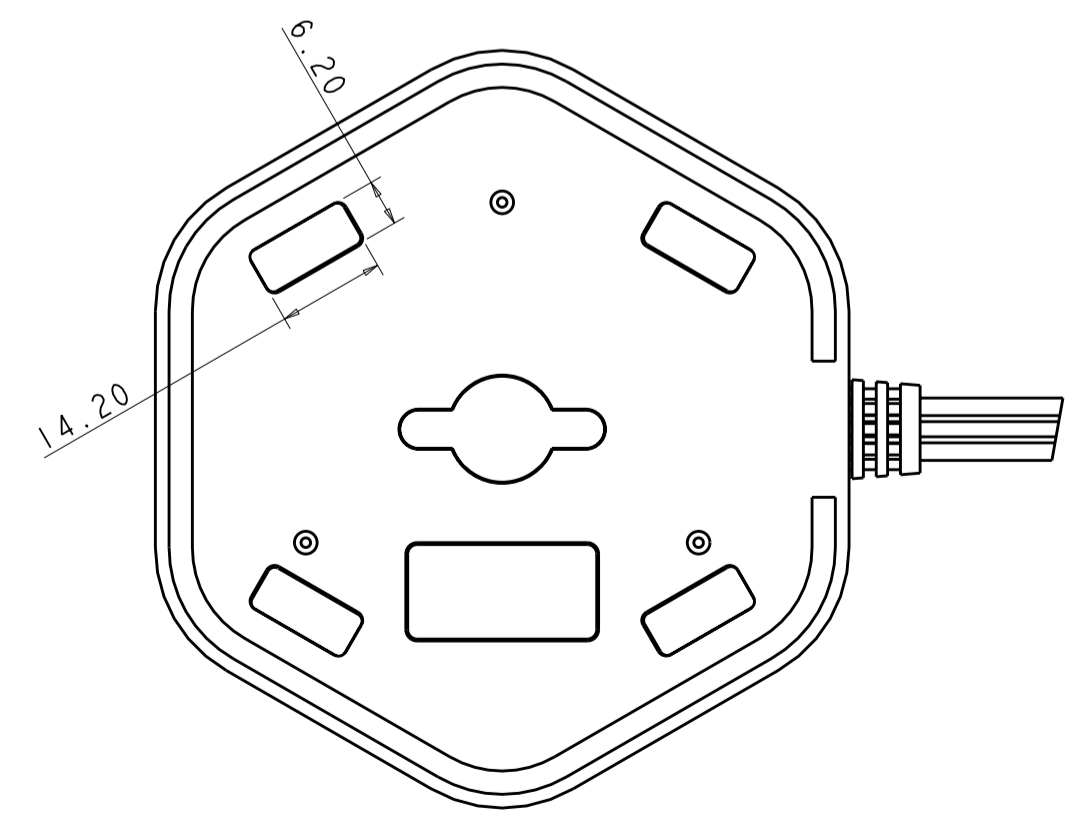
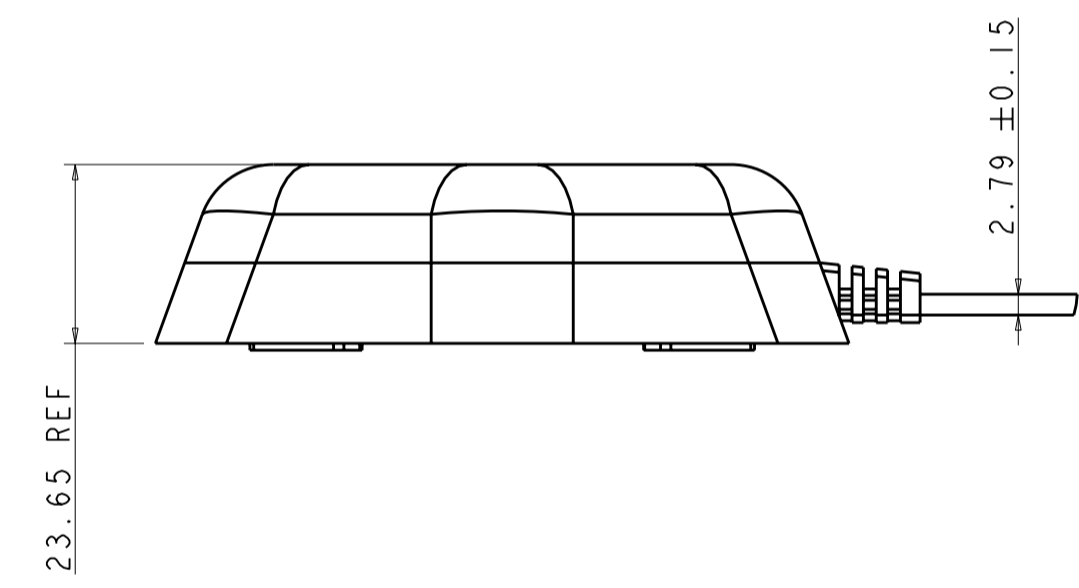
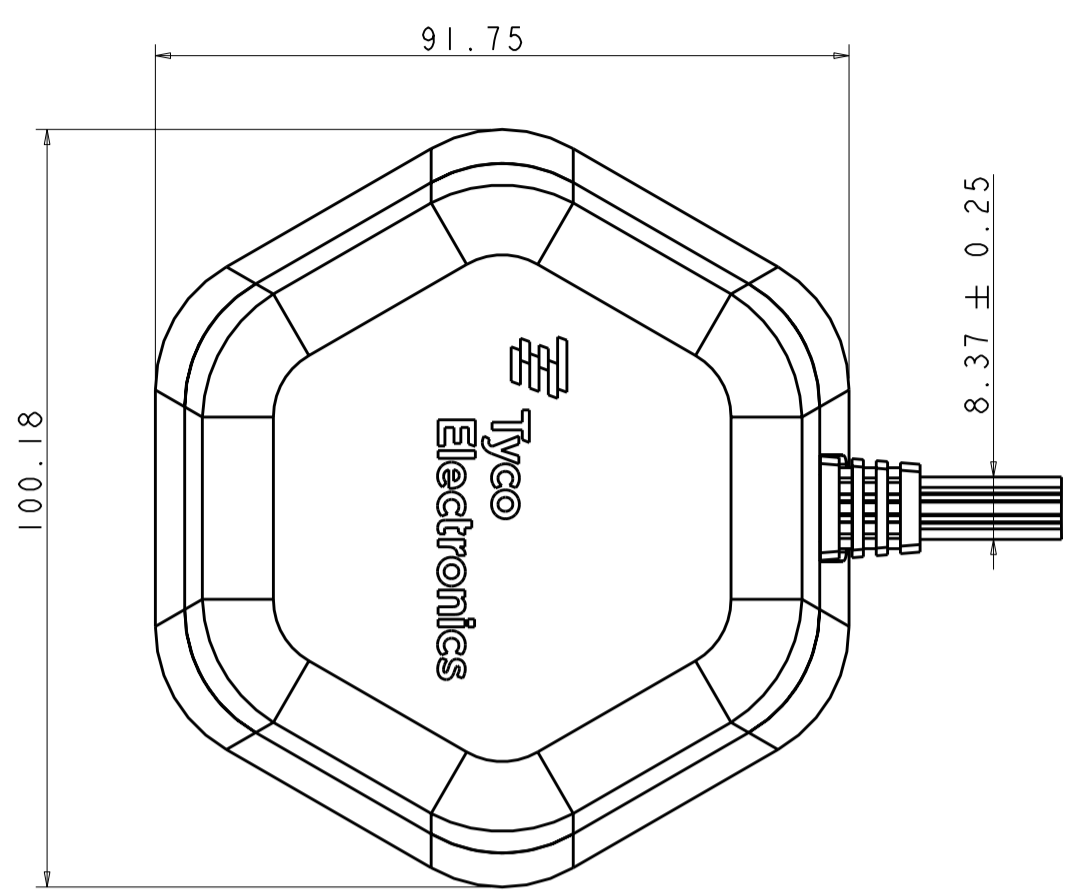
Email & Skype: info@chipsmall.com Web: www.chipsmall.com

Address: A1208, Overseas Decoration Building, #122 Zhenhua RD., Futian, Shenzhen, China



THIS DRAWING IS UNPUBLISHED. RELEASED FOR PUBLICATION 20
 © COPYRIGHT 20 BY TYCO ELECTRONICS CORPORATION. ALL RIGHTS RESERVED.

LOC		DIST		REVISIONS			
P	LTR	DESCRIPTION	DATE	DWN	APVD		
5		ADD TEST ADAPTER P/N	13FEB2008	APV	APV		
6		ADD KEYING SLOTS	12MAR2008	APV	APV		
A		RELEASE FOR PRODUCTION	25JUN2008	APV	APV		
B		ADD LABEL	29JUL2008	APV	APV		



- ⚠ CABLE - 3x RG174, LENGTH 0.8m. CABLE TERMINATED WITH TYCO ELECTRONICS 3 PORT QSL CONNECTOR
- 2. FOR TESTING USE SMA TO QSL ADAPTER P/N 1513743-1.
- 3. ALL MATERIALS TO BE "ROHS" COMPLIANT PER TYCO ELECTRONICS STANDARD 230-720.

ORDER P/N 1513711-1

THIS DRAWING IS A CONTROLLED DOCUMENT FOR TYCO ELECTRONICS CORPORATION. IT IS SUBJECT TO CHANGE AND THE CONTROLLING ENGINEERING ORGANIZATION SHOULD BE CONTACTED FOR THE LATEST REVISION.		DWN	APV	27 JUL 2007	Tyco Electronics Rochester, NY 14623
DIMENSIONS:		CHK	-	27 JUL 2007	
mm		APVD	-	27 JUL 2007	
TOLERANCES UNLESS OTHERWISE SPECIFIED:		PRODUCT SPEC		NAME	
0 PLC	±	-		WIMAX/MIMO ANTENNA MODULE WITH 3-PORT QSL CONNECTOR	
1 PLC	±	-		SIZE CAGE CODE DRAWING NO	
2 PLC	±	-		A200779 C-1513711	
3 PLC	±	-		RESTRICTED TO	
4 PLC	±	-		-	
ANGLES	±	-		SCALE SHEET OF REV	
FINISH	±	-		B	
MATERIAL	-	WEIGHT		CUSTOMER DRAWING	