



Chipsmall Limited consists of a professional team with an average of over 10 year of expertise in the distribution of electronic components. Based in Hongkong, we have already established firm and mutual-benefit business relationships with customers from,Europe,America and south Asia,supplying obsolete and hard-to-find components to meet their specific needs.

With the principle of “Quality Parts,Customers Priority,Honest Operation,and Considerate Service”,our business mainly focus on the distribution of electronic components. Line cards we deal with include Microchip,ALPS,ROHM,Xilinx,Pulse,ON,Everlight and Freescale. Main products comprise IC,Modules,Potentiometer,IC Socket,Relay,Connector.Our parts cover such applications as commercial,industrial, and automotives areas.

We are looking forward to setting up business relationship with you and hope to provide you with the best service and solution. Let us make a better world for our industry!



Contact us

Tel: +86-755-8981 8866 Fax: +86-755-8427 6832

Email & Skype: info@chipsmall.com Web: www.chipsmall.com

Address: A1208, Overseas Decoration Building, #122 Zhenhua RD., Futian, Shenzhen, China



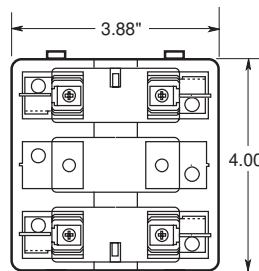
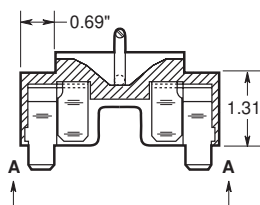
Fused, Dead Front, Pull-Apart Switches

600 VAC; 30 Amps

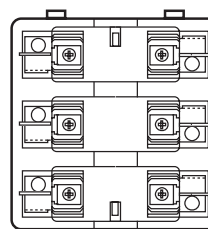
15149 Series



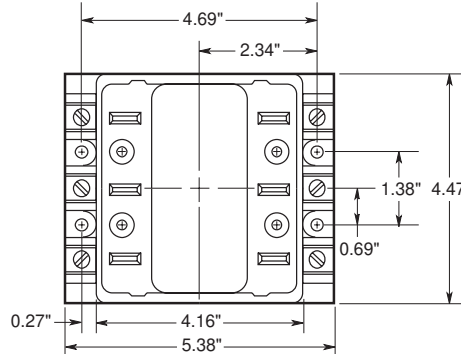
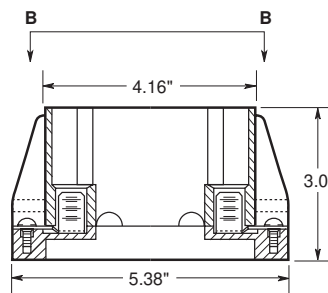
Dimensional Data



VIEW A-A (15149-2)
2-POLE



VIEW A-A (15149-3)
3-POLE



VIEW B-B
MOUNTING HOLES

CATALOG SYMBOL: 15149
 0 TO 30 AMPS
 600 VAC
 U.L. RECOGNIZED
 (GUIDE # WGEU2, FILE # E116716)
 CSA CERTIFIED
 (CLASS 6228-01, FILE # 37129)

Specifications

Voltage Rating	600 VAC (maximum)
Current Rating	0 to 30 A
Motor Rating	5 HP
Dielectric Withstand	2200 V
Current Withstand	200,000 RMS Symmetrical Amperes

- 600 VAC; 30A Ratings.
- Available with 2 or 3 poles.
- Class J fuses; LPJ and JKS.
- Fuse holders in the pull-out head eliminate possibility of electric shock while changing fuse.
- U.L. Recognized file E87131 for General Industrial installations.
- CSA Certified file LR37129-6.

The only controlled copy of this BIF document is the electronic read-only version located on the Bussmann Network Drive. All other copies of this BIF document are by definition uncontrolled. This bulletin is intended to clearly present comprehensive product data and provide technical information that will help the end user with design applications. Bussmann reserves the right, without notice, to change design or construction of any products and to discontinue or limit distribution of any products. Bussmann also reserves the right to change or update, without notice, any technical information contained in this bulletin. Once a product has been selected, it should be tested by the user in all possible applications.