



Chipsmall Limited consists of a professional team with an average of over 10 year of expertise in the distribution of electronic components. Based in Hongkong, we have already established firm and mutual-benefit business relationships with customers from,Europe,America and south Asia,supplying obsolete and hard-to-find components to meet their specific needs.

With the principle of “Quality Parts,Customers Priority,Honest Operation,and Considerate Service”,our business mainly focus on the distribution of electronic components. Line cards we deal with include Microchip,ALPS,ROHM,Xilinx,Pulse,ON,Everlight and Freescale. Main products comprise IC,Modules,Potentiometer,IC Socket,Relay,Connector.Our parts cover such applications as commercial,industrial, and automotives areas.

We are looking forward to setting up business relationship with you and hope to provide you with the best service and solution. Let us make a better world for our industry!



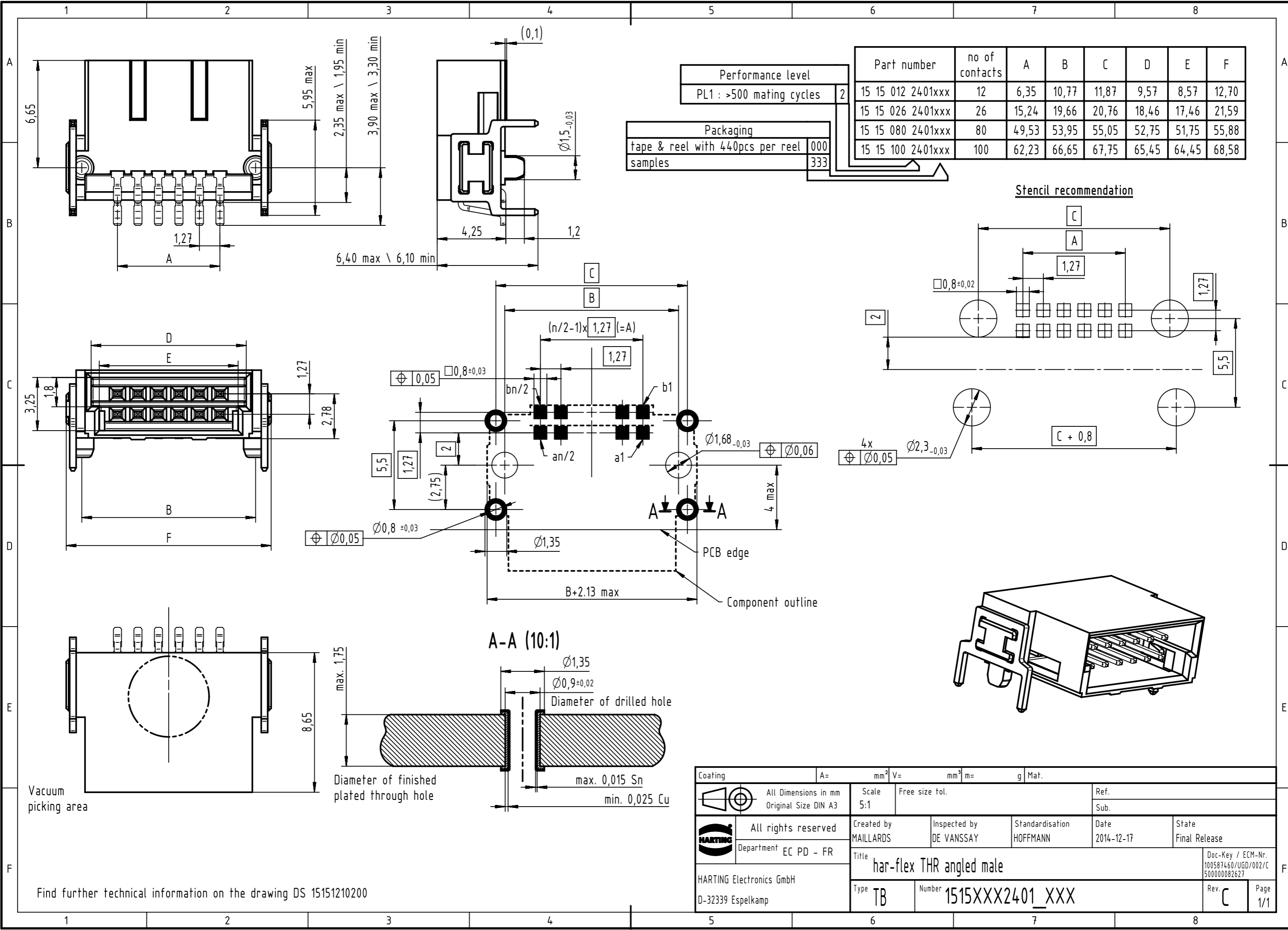
Contact us

Tel: +86-755-8981 8866 Fax: +86-755-8427 6832

Email & Skype: info@chipsmall.com Web: www.chipsmall.com

Address: A1208, Overseas Decoration Building, #122 Zhenhua RD., Futian, Shenzhen, China



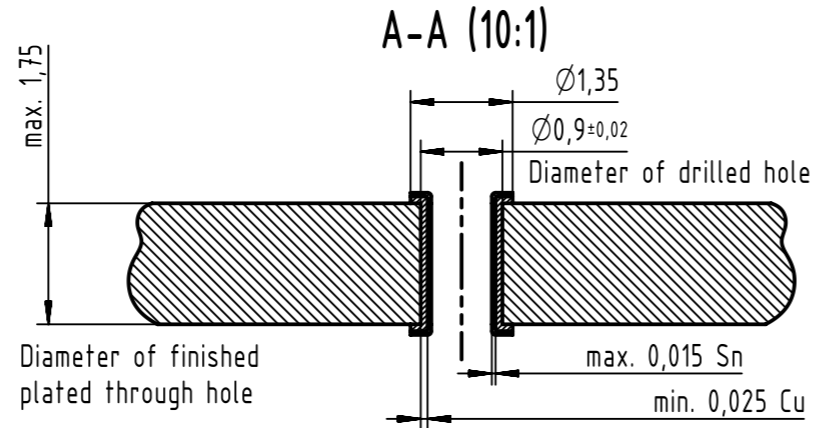
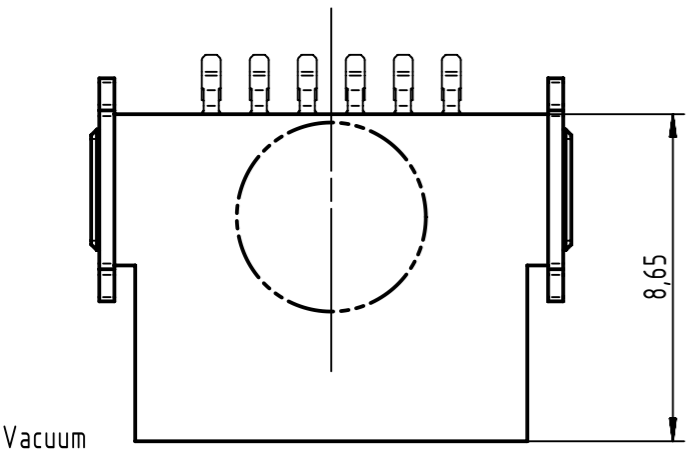
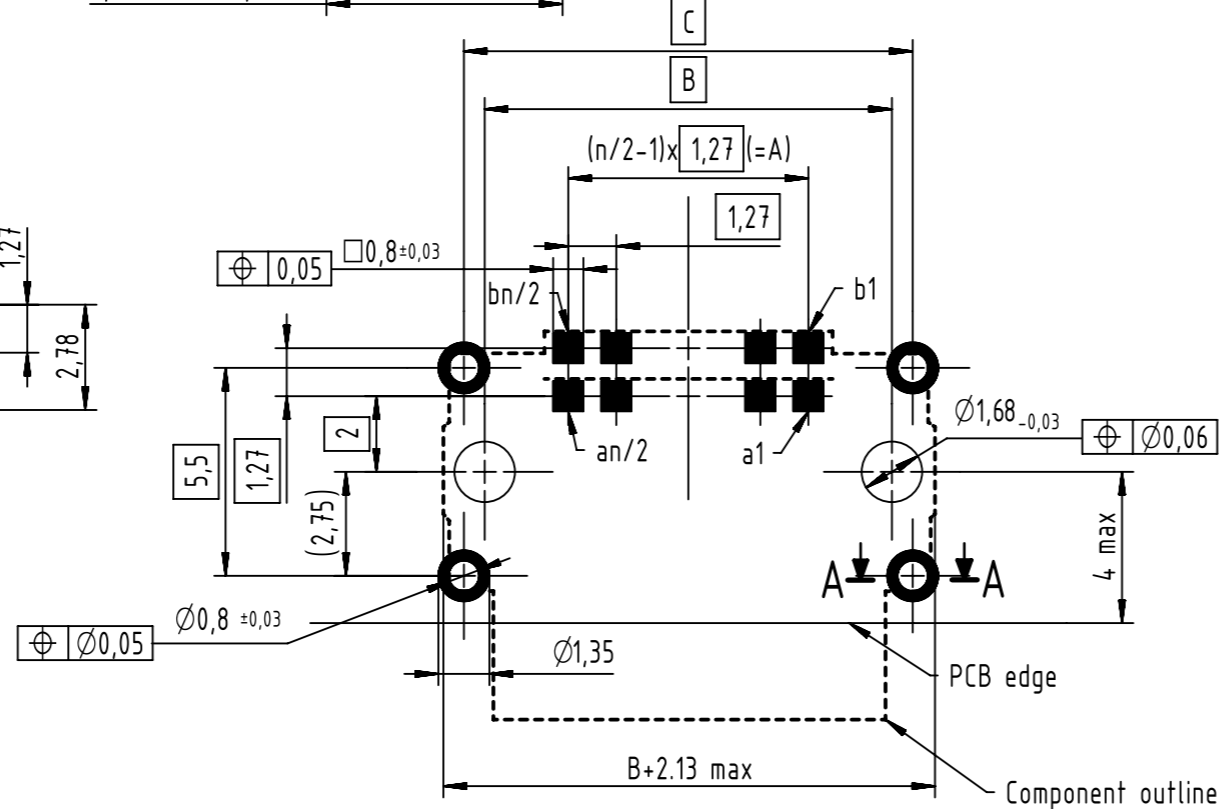
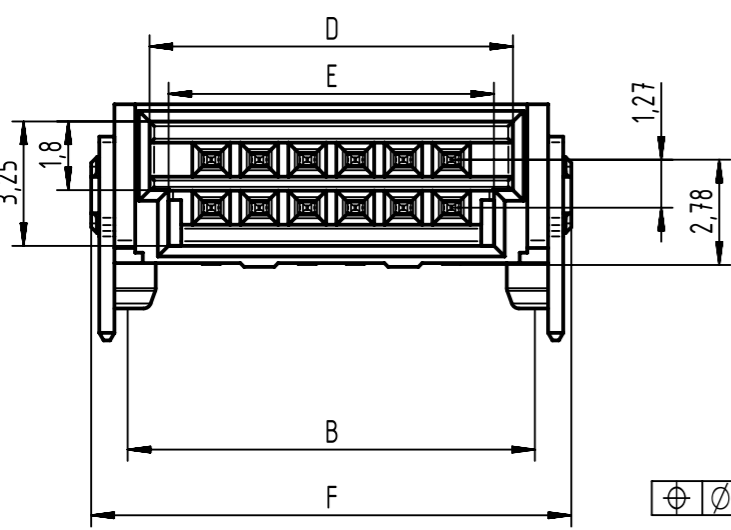
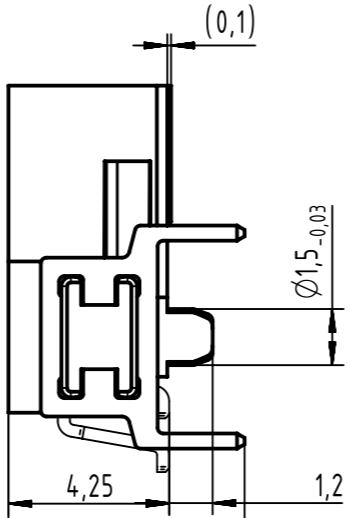
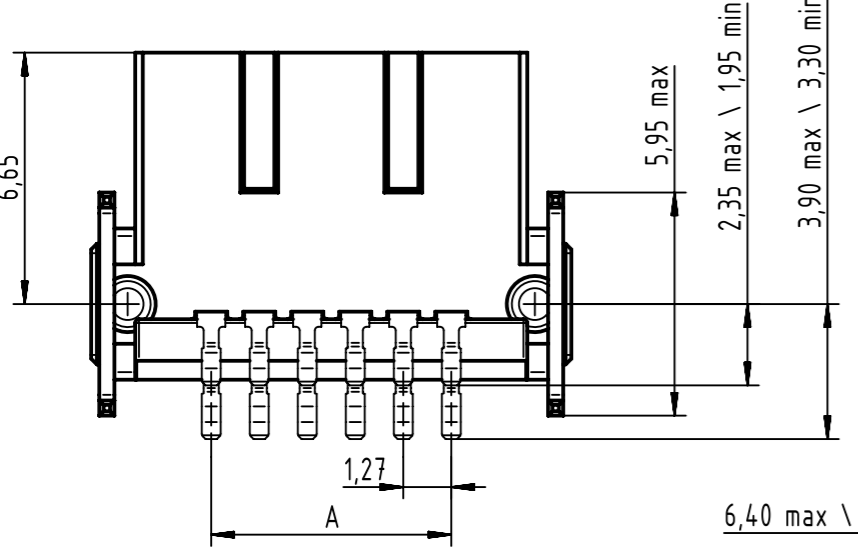
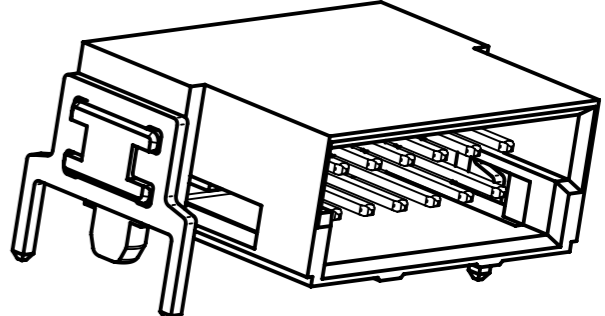
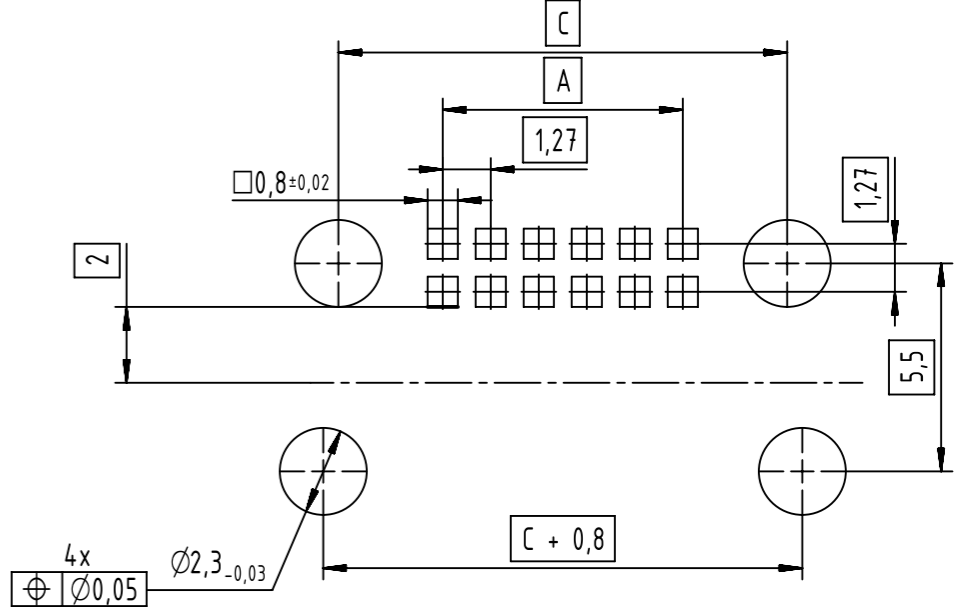


Performance level	
PL1 : >500 mating cycles	2

Packaging	
tape & reel with 440pcs per reel	000
samples	333

Part number	no of contacts	A	B	C	D	E	F
15 15 012 2401xxx	12	6,35	10,77	11,87	9,57	8,57	12,70
15 15 026 2401xxx	26	15,24	19,66	20,76	18,46	17,46	21,59
15 15 080 2401xxx	80	49,53	53,95	55,05	52,75	51,75	55,88
15 15 100 2401xxx	100	62,23	66,65	67,75	65,45	64,45	68,58

Stencil recommendation



Vacuum picking area

Find further technical information on the drawing DS 15151210200

Coating	A=	mm ²	V=	mm ³	m=	g	Mat.
	All Dimensions in mm Original Size DIN A3		Scale	Free size tol.		Ref.	
	All rights reserved Department EC PD - FR		Created by MAILLARDS	Inspected by DE VANSAY	Standardisation HOFFMANN	Date 2014-12-17	State Final Release
HARTING Electronics GmbH D-32339 Espelkamp			Title har-flex THR angled male		Doc-Key / ECM-Nr. 100587460/UGD/002/C 50000082627		Page 1/1
			Type TB	Number 1515XXX2401_XXX		Rev. C	