



Chipsmall Limited consists of a professional team with an average of over 10 year of expertise in the distribution of electronic components. Based in Hongkong, we have already established firm and mutual-benefit business relationships with customers from,Europe,America and south Asia,supplying obsolete and hard-to-find components to meet their specific needs.

With the principle of "Quality Parts,Customers Priority,Honest Operation,and Considerate Service",our business mainly focus on the distribution of electronic components. Line cards we deal with include Microchip,ALPS,ROHM,Xilinx,Pulse,ON,Everlight and Freescale. Main products comprise IC,Modules,Potentiometer,IC Socket,Relay,Connector.Our parts cover such applications as commercial,industrial, and automotives areas.

We are looking forward to setting up business relationship with you and hope to provide you with the best service and solution. Let us make a better world for our industry!



## Contact us

Tel: +86-755-8981 8866 Fax: +86-755-8427 6832

Email & Skype: info@chipsmall.com Web: www.chipsmall.com

Address: A1208, Overseas Decoration Building, #122 Zhenhua RD., Futian, Shenzhen, China



THIS DRAWING IS UNPUBLISHED.

RELEASED FOR PUBLICATION

20

© COPYRIGHT 20

BY -

ALL RIGHTS RESERVED.

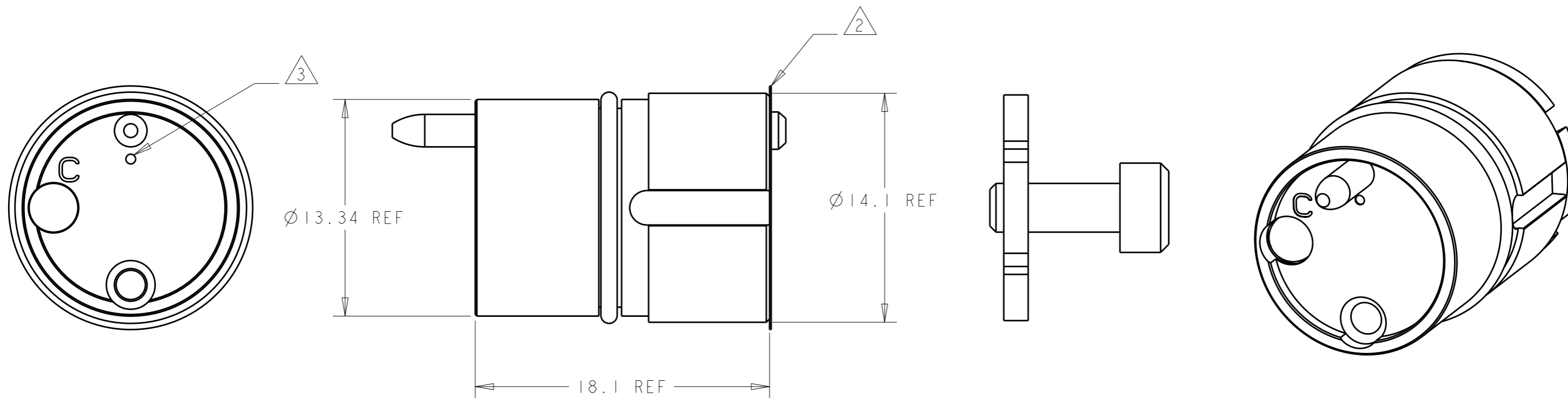
LOC	DIST	REVISIONS			
P	LTR	DESCRIPTION	DATE	DWN	APVD
CE	16	F	ECR-09-007414	01JUN2009	KG DW

1. USE WITH FERRULE ASSEMBLY KIT P/N 1588908-2 (125um), OR 1588908-1 (126um). QUANTITY OF 1 REQUIRED. FERRULE MUST BE PC-POLISHED DURING FIBER TERMINATION FOR BEST PERFORMANCE.


2. PROTECTIVE LABEL APPLIED AFTER FINAL CLEAN ROOM TEST TO PREVENT OPTICAL CAVITY CONTAMINATION. REMOVE ONLY WHEN READY TO ASSEMBLE.

3. SINGLEMODE IDENTIFIER

4. THIS PRODUCT HAS NOT COMPLETED VALIDATION TESTING.



<b>OBSOLETE</b>	1 CHANNEL, 1310nm SM, FLUOROSILICONE	1515738-2
	1 CHANNEL, 1310nm SM, NBR	1515738-1
	DESCRIPTION	PART NUMBER

THIS DRAWING IS A CONTROLLED DOCUMENT.		DWN K. GLATFELTER 16APR2004	 TE Connectivity	
DIMENSIONS: mm		CHK D. WERTMAN 07JUN2004		
TOLERANCES UNLESS OTHERWISE SPECIFIED:		APVD D. WERTMAN 07JUN2004	NAME INSERT ASSEMBLY, PRO BEAM JR., 1 CHANNEL, 1310nm SM	
0 PLC ±- 1 PLC ±- 2 PLC ±- 3 PLC ±- 4 PLC ±- ANGLES ±-		PRODUCT SPEC -	SIZE A3	
MATERIAL STAINLESS ALLOYS, NBR/FLUOROSILICONE		APPLICATION SPEC -	CAGE CODE 300779	DRAWING NO C-1515738
FINISH N/A		WEIGHT -	RESTRICTED TO -	
CUSTOMER DRAWING			SCALE 4:1	SHEET 1 OF 1
			REV F	