



Chipsmall Limited consists of a professional team with an average of over 10 year of expertise in the distribution of electronic components. Based in Hongkong, we have already established firm and mutual-benefit business relationships with customers from,Europe,America and south Asia,supplying obsolete and hard-to-find components to meet their specific needs.

With the principle of “Quality Parts,Customers Priority,Honest Operation,and Considerate Service”,our business mainly focus on the distribution of electronic components. Line cards we deal with include Microchip,ALPS,ROHM,Xilinx,Pulse,ON,Everlight and Freescale. Main products comprise IC,Modules,Potentiometer,IC Socket,Relay,Connector.Our parts cover such applications as commercial,industrial, and automotives areas.

We are looking forward to setting up business relationship with you and hope to provide you with the best service and solution. Let us make a better world for our industry!



## Contact us

Tel: +86-755-8981 8866 Fax: +86-755-8427 6832

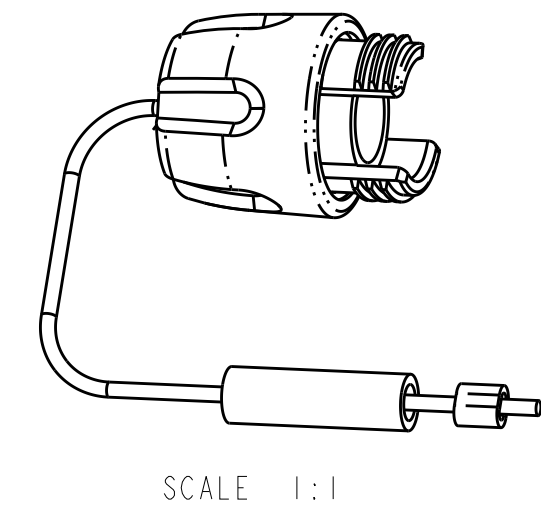
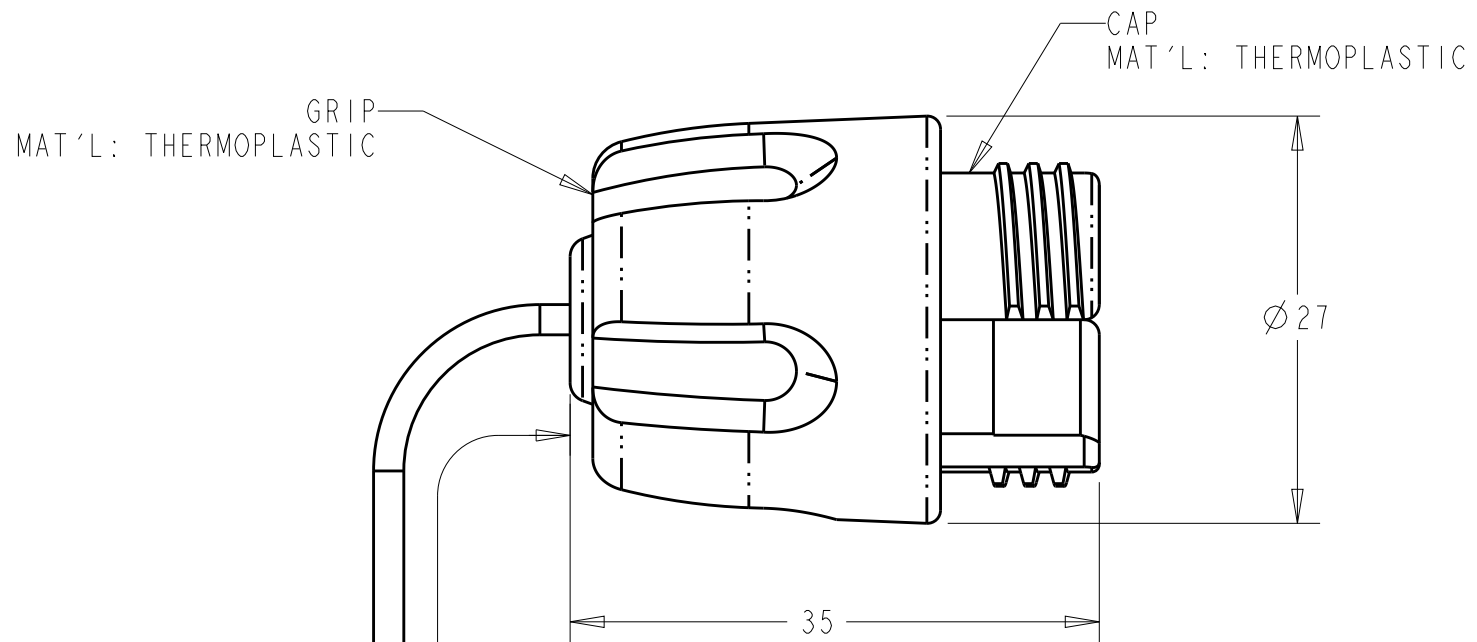
Email & Skype: info@chipsmall.com Web: www.chipsmall.com

Address: A1208, Overseas Decoration Building, #122 Zhenhua RD., Futian, Shenzhen, China



THIS DRAWING IS UNPUBLISHED. RELEASED FOR PUBLICATION 20  
© COPYRIGHT 20 BY - ALL RIGHTS RESERVED.

LOC	DIST	REVISIONS					
		P	LTR	DESCRIPTION	DATE	DWN	APVD
CE	-		E1	ECR-13-001022	18JAN2013	KG	DW



TETHER MAT'L: PLASTICOATED STEEL WIRE

SHRINK TUBE MAT'L: POLYOLEFIN


CRIMP SLEEVE MAT'L: ALUMINUM ALLOY

1. ALL DIMENSIONS ARE FOR REFERENCE ONLY.

2 TO BE COMPLETED BY END USER DURING CONNECTOR ASSEMBLY.

GREEN	AS SHOWN	1515867-4
BROWN	AS SHOWN	1515867-3
BLACK	WITHOUT SHRINK TUBE AND CRIMP SLEEVE	1515867-2
BLACK	AS SHOWN	1515867-1
COLOR	DESCRIPTION	PART NUMBER

THIS DRAWING IS A CONTROLLED DOCUMENT. DIMENSIONING AND TOLERANCING PER ASME Y14.5M-2009

DWN K. GLATFELTER 12DEC2002	 TE Connectivity	NAME PROTECTIVE CAP, PLUG, PRO BEAM JR BULKHEAD PRO BEAM JR.
CHK D. WERTMAN 16DEC2002		
APVD D. WERTMAN 17DEC2002		
PRODUCT SPEC -		
APPLICATION SPEC -		RESTRICTED TO -
WEIGHT -		SIZE A3
MATERIAL -		CAGE CODE 00779
FINISH -		DRAWING NO 1515867
Customer Drawing		SCALE 2:1
		SHEET 1
		OF 1
		REV E1

DIMENSIONS:	TOLERANCES UNLESS OTHERWISE SPECIFIED:
mm	
0 PLC	±-
1 PLC	±-
2 PLC	±-
3 PLC	±-
4 PLC	±-
ANGLES	±-
MATERIAL	FINISH
-	-