



Chipsmall Limited consists of a professional team with an average of over 10 year of expertise in the distribution of electronic components. Based in Hongkong, we have already established firm and mutual-benefit business relationships with customers from,Europe,America and south Asia,supplying obsolete and hard-to-find components to meet their specific needs.

With the principle of “Quality Parts,Customers Priority,Honest Operation,and Considerate Service”,our business mainly focus on the distribution of electronic components. Line cards we deal with include Microchip,ALPS,ROHM,Xilinx,Pulse,ON,Everlight and Freescale. Main products comprise IC,Modules,Potentiometer,IC Socket,Relay,Connector.Our parts cover such applications as commercial,industrial, and automotives areas.

We are looking forward to setting up business relationship with you and hope to provide you with the best service and solution. Let us make a better world for our industry!



## Contact us

Tel: +86-755-8981 8866 Fax: +86-755-8427 6832

Email & Skype: info@chipsmall.com Web: www.chipsmall.com

Address: A1208, Overseas Decoration Building, #122 Zhenhua RD., Futian, Shenzhen, China



LOC  
CE

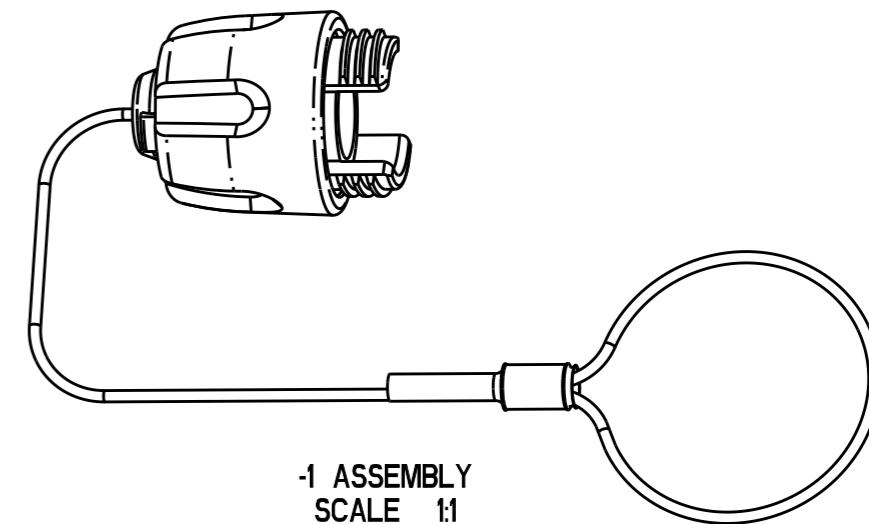
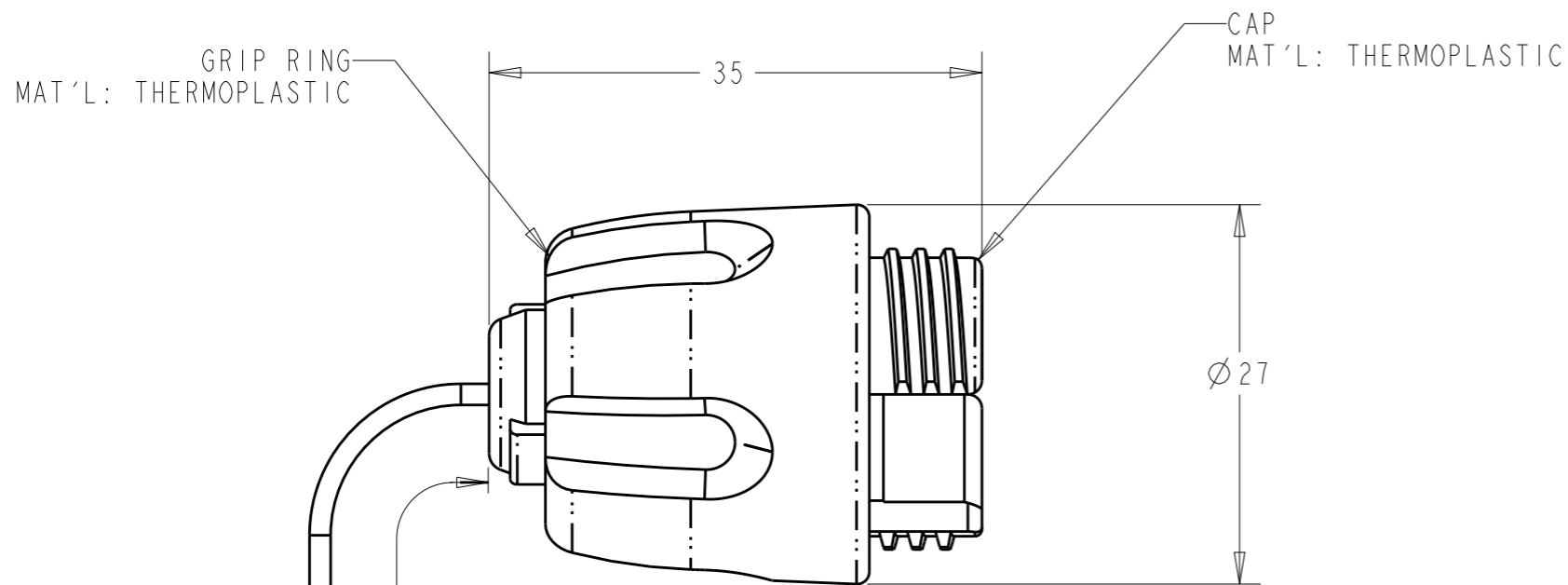
DIST  
-

REVISIONS

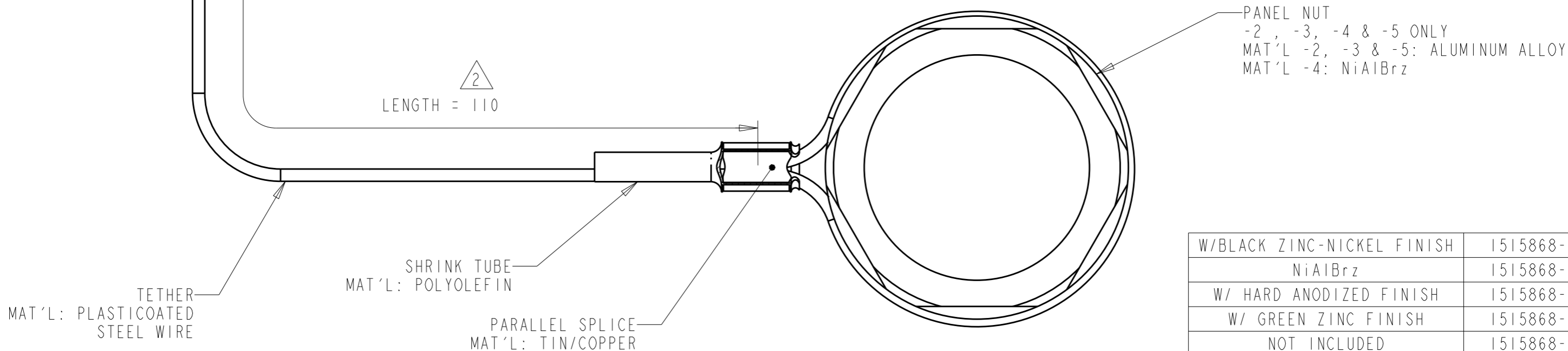
P	LTR	DESCRIPTION	DATE	DWN	APVD
	G2	ECR-12-017611	11OCT2012	KG	DW

1. DIMENSIONS ARE FOR REFERENCE ONLY.

△ 2 DIMENSIONED TO CENTER OF PARALLEL SPLICE.



-1 ASSEMBLY  
SCALE 1:1



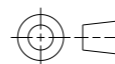
-2, -3, -4 & -5 ASSEMBLY

W/BLACK ZINC-NICKEL FINISH	1515868-5
NiAlBrz	1515868-4
W/ HARD ANODIZED FINISH	1515868-3
W/ GREEN ZINC FINISH	1515868-2
NOT INCLUDED	1515868-1
PANEL NUT OPTION	PART NUMBER

THIS DRAWING IS A CONTROLLED DOCUMENT.  
DIMENSIONING AND TOLERANCING  
PER ASME Y14.5M-2009

DIMENSIONS:

mm



TOLERANCES UNLESS OTHERWISE SPECIFIED:

0 PLC	±-
1 PLC	±-
2 PLC	±-
3 PLC	±-
4 PLC	±-
ANGLES	±-
FINISH	-

MATERIAL AS LISTED

DWN K. GLATFELTER 14OCT2002

CHK D. WERTMAN 15OCT2002

APVD D. WERTMAN 15OCT2002

PRODUCT SPEC

APPLICATION SPEC

WEIGHT -

Customer Drawing



TE Connectivity

NAME  
PROTECTIVE CAP FOR  
BULKHEAD  
PRO BEAM JR.

SIZE A3 CAGE CODE 00779 DRAWING NO. C-1515868 RESTRICTED TO -

SCALE 1:1 SHEET 1 OF 1 REV G2