



Chipsmall Limited consists of a professional team with an average of over 10 year of expertise in the distribution of electronic components. Based in Hongkong, we have already established firm and mutual-benefit business relationships with customers from,Europe,America and south Asia,supplying obsolete and hard-to-find components to meet their specific needs.

With the principle of "Quality Parts,Customers Priority,Honest Operation,and Considerate Service",our business mainly focus on the distribution of electronic components. Line cards we deal with include Microchip,ALPS,ROHM,Xilinx,Pulse,ON,Everlight and Freescale. Main products comprise IC,Modules,Potentiometer,IC Socket,Relay,Connector.Our parts cover such applications as commercial,industrial, and automotives areas.

We are looking forward to setting up business relationship with you and hope to provide you with the best service and solution. Let us make a better world for our industry!



Contact us

Tel: +86-755-8981 8866 Fax: +86-755-8427 6832

Email & Skype: info@chipsmall.com Web: www.chipsmall.com

Address: A1208, Overseas Decoration Building, #122 Zhenhua RD., Futian, Shenzhen, China




SACB- 4/3-L-10,0PUR-M8

Order No.: 1516027

<http://eshop.phoenixcontact.de/phoenix/treeViewClick.do?UID=1516027>

Sensor/actuator box, M8 socket, Number of slots: 4, Number of positions: 3, Slot assignment: Single, Status indication: Yes, pnp 180°, PUR/PVC, Cable length: 10 m, Shielding: No

| Commercial data | |
|--------------------------|--|
| GTIN (EAN) |  4 017918 967000 |
| sales group | D102 |
| Pack | 1 pcs. |
| Customs tariff | 85366990 |
| Catalog page information | Page 112 (PC-2009) |

Product notes

WEEE/RoHS-compliant since:
11/10/2006



<http://www.download.phoenixcontact.com>
Please note that the data given here has been taken from the online catalog. For comprehensive information and data, please refer to the user documentation. The General Terms and Conditions of Use apply to Internet downloads.

| Technical data | |
|--|---------|
| General data | |
| Rated voltage | 24 V DC |
| Max. operating voltage U_{max} | 30 V DC |
| Current carrying capacity per I/O signal | 2 A |
| Current carrying capacity per slot | 2 A |

| | |
|------------------------------------|------------------|
| Total rated current | 6 A |
| Number of positions | 3 |
| Number of slots | 4 |
| Degree of protection | IP65/IP67 |
| Inflammability class acc. to UL 94 | V0 |
| Ambient temperature (operation) | -30 °C ... 80 °C |
| Sensor/actuator connection system | M8 socket |

Local diagnostics function

| | |
|-------------------|-------------------------------|
| Local diagnostics | Supply voltage Green LED |
| | Status display I/O Yellow LED |

Master cable data

| | |
|--|--|
| Type of connection | Fixed connection |
| Length of cable | 10 m |
| Cable type | Master cable suitable for flexible cable conduit |
| Signal line cross section | 4x 0.34 mm ² |
| AWG signal line | 22 |
| Conductor structure signal line | 42x 0.10 mm |
| Power supply cross section | 2x 0.75 mm ² |
| AWG power supply | 18 |
| Conductor structure, voltage supply | 96x 0.10 mm |
| External diameter | 7.1 mm |
| Max. bending cycles | 1500000 |
| Bending radius | 75 mm |
| Traversing path | 2 m |
| Traversing rate | 2 m/s |
| Ambient temperature (operation) | -40 °C ... 90 °C (for fixed installation) |
| | -5 °C ... 80 °C (for flexible installation) |
| Tightening torque slot sensor/actuator cable | 0.2 Nm |
| Tightening torque screw plug | 0.2 Nm |

Insulation material

| | |
|-------------------------------|-------|
| Housing material | PBT |
| Material of the moulding mass | PUR |
| Contact material | CuSn |
| Contact surface material | Ni/Au |

| | |
|-------------------------------------|---------------|
| Contact carrier material | PA |
| Material of threaded sleeve | Cu alloy |
| Material of threaded sleeve surface | Nickel-plated |
| Material, O-ring | NBR |

Pin assignment

| | |
|--|-----------------------|
| Slot/position = Wire color or connection | 1 / 4 (A) = WH |
| | 2 / 4 (A) = GN |
| | 3 / 4 (A) = YE |
| | 4 / 4 (A) = GY |
| | 1-4 / 1 (+ 24 V) = BN |
| | 1-4 / 3 (0 V) = BU |

Certificates / Approvals



Certification CUL, UL

Accessories

| Item | Designation | Description |
|----------------|------------------|--|
| Marking | | |
| 0809984 | ZBF10:SO/CMS | Zack marker strip, flat, in 10 mm pitch, labeled according to customer specifications, 10-section, divisible, color: White |
| 0809997 | ZBF10:UNBEDRUCKT | Zack marker strip, flat, in 10 mm pitch, unprinted, 10-section, for individual labeling with M-PEN 0,8, X-PEN, or CMS-P1-PLOTTER |

Protection and sealing elements

| | | |
|---------|---------|---|
| 1682540 | PROT-M8 | An M8 screw plug for the unoccupied M8 sockets of the sensor/ actuator cable, boxes and flush-type connectors |
|---------|---------|---|

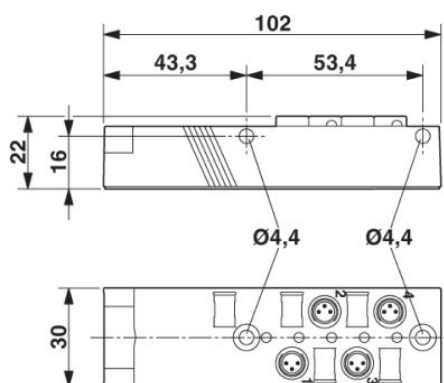
Tools

| | | |
|---------|----------------|---|
| 1208461 | SAC BIT M8-D10 | Nut for assembling sensor/actuator cables with M8 connector and for M8 connectors with QUICKON fast connection technology, for 4 mm hexagonal drive |
|---------|----------------|---|

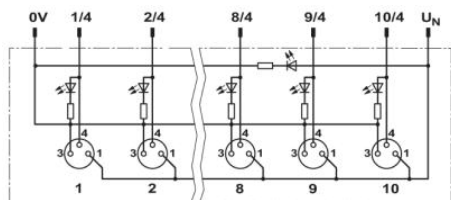
| | | |
|---------|-----------------|--|
| 1208474 | SACC BIT M8-D12 | Nut for assembling SACC M8 connectors for free assembly with longitudinal knurl, excluding M8 connectors with QUICKON fast connection technology, for 4 mm hexagonal drive |
| 1208487 | TSD 02 SAC | Torque screwdriver, with preset torque of 0.2 Nm and 4 mm hexagonal drive for M8 connectors |

Diagrams/Drawings

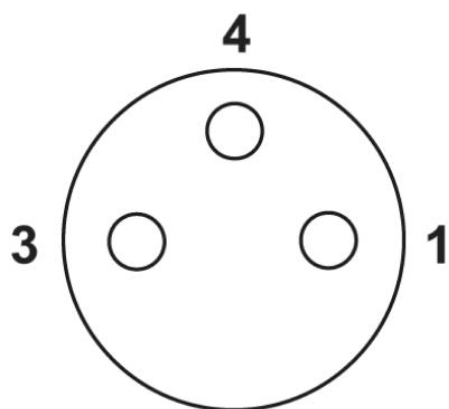
Dimensioned drawing



Circuit diagram



Schematic diagram



M8 slot, socket, 3-pos.

Address

PHOENIX CONTACT Deutschland GmbH
Flachmarktstr. 8
32825 Blomberg, Germany
Phone +49 5235 3 12000
Fax +49 5235 3 41200
<http://www.phoenixcontact.de>



© 2010 Phoenix Contact
Technical modifications reserved;