



Chipsmall Limited consists of a professional team with an average of over 10 year of expertise in the distribution of electronic components. Based in Hongkong, we have already established firm and mutual-benefit business relationships with customers from,Europe,America and south Asia,supplying obsolete and hard-to-find components to meet their specific needs.

With the principle of “Quality Parts,Customers Priority,Honest Operation,and Considerate Service”,our business mainly focus on the distribution of electronic components. Line cards we deal with include Microchip,ALPS,ROHM,Xilinx,Pulse,ON,Everlight and Freescale. Main products comprise IC,Modules,Potentiometer,IC Socket,Relay,Connector.Our parts cover such applications as commercial,industrial, and automotives areas.

We are looking forward to setting up business relationship with you and hope to provide you with the best service and solution. Let us make a better world for our industry!



## Contact us

Tel: +86-755-8981 8866 Fax: +86-755-8427 6832

Email & Skype: info@chipsmall.com Web: www.chipsmall.com

Address: A1208, Overseas Decoration Building, #122 Zhenhua RD., Futian, Shenzhen, China



4

3

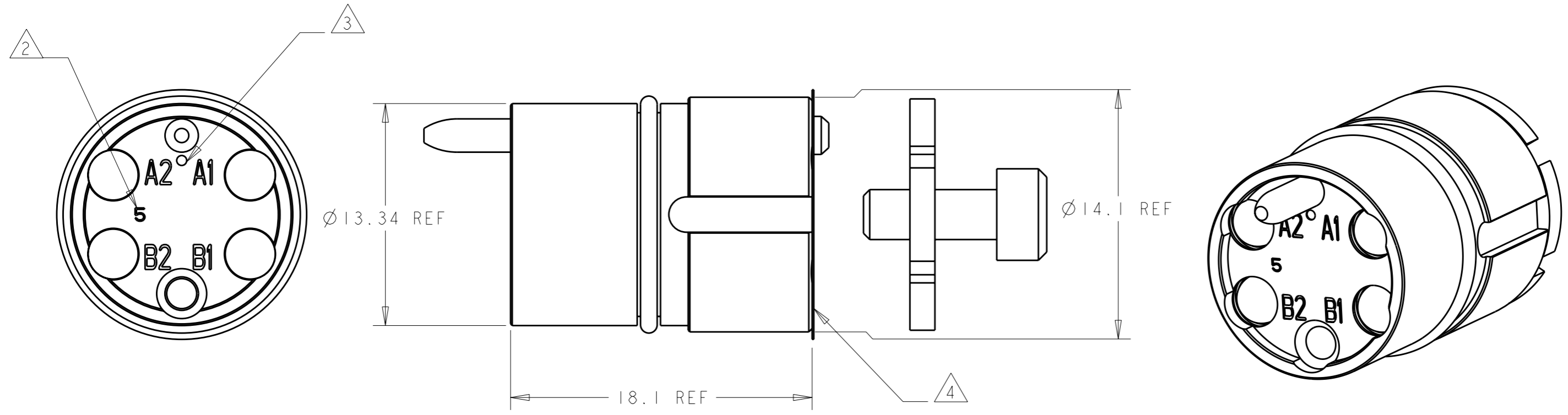
2

1

THIS DRAWING IS UNPUBLISHED. RELEASED FOR PUBLICATION 20  
 © COPYRIGHT 20 BY TYCO ELECTRONICS CORPORATION. ALL RIGHTS RESERVED.

LOC	DIST	REVISIONS					
		P	LTR	DESCRIPTION	DATE	DWN	APVD
CE	16		C	RELESE PER 0A00-0031-03	03FEB03	KG	DW
			D	REVISE PER 0A00-0359-03	28OCT03	KG	DW
			DI	ECR-09-003452	16FEB2009	KG	DW
			E	ECR-09-007414	02JUN2009	KG	DW

- ALL DIMENSIONS ARE FOR REFERENCE ONLY.
- OPTIMIZED FOR 1550nm OPERATION IDENTIFIER.
- SINGLEMODE IDENTIFIER.
- PROTECTIVE LABEL APPLIED AFTER FINAL CLEAN ROOM TEST TO PREVENT OPTICAL CAVITY CONTAMINATION. REMOVE ONLY WHEN READY TO ASSEMBLE.
- USE WITH FERRULE ASSEMBLY KIT P/N 1515778-7 (125um), OR 1515895-1 (126um), OR 1588908-1 (SEALED 126um). FERRULE MUST BE PC-POLISHED DURING FIBER TERMINATION FOR BEST PERFORMANCE.
- THIS PRODUCT HAS NOT COMPLETED VALIDATION TESTING.



1516041-1  
 PART NUMBER

<small>THIS DRAWING IS A CONTROLLED DOCUMENT FOR TYCO ELECTRONICS CORPORATION          IT IS SUBJECT TO CHANGE AND THE CONTROLLING ENGINEERING ORGANIZATION          SHOULD BE CONTACTED FOR THE LATEST REVISION.</small>		DWN 22 JAN 2003 K. GLATFELTER CHK 23 JAN 2003 D. WERTMAN APVD 31 JAN 2003 D. WERTMAN		Tyco Electronics Harrisburg, PA 17105-3608	
DIMENSIONS: mm 		TOLERANCES UNLESS OTHERWISE SPECIFIED: 0 PLC ±- 1 PLC ±- 2 PLC ±- 3 PLC ±- 4 PLC ±- ANGLES ±-		NAME INSERT ASSEMBLY, PRO BEAM JR. 4 CHANNEL, 1550nm SM	
MATERIAL STAINLESS ALLOYS & NBR		FINISH N/A		PRODUCT SPEC - APPLICATION SPEC - WEIGHT -	
		CUSTOMER DRAWING		SIZE A3 CAGE CODE 00779 DRAWING NO C-1516041 RESTRICTED TO -	
				SCALE 4:1 SHEET 1 OF 1 REV E	