



Chipsmall Limited consists of a professional team with an average of over 10 year of expertise in the distribution of electronic components. Based in Hongkong, we have already established firm and mutual-benefit business relationships with customers from,Europe,America and south Asia,supplying obsolete and hard-to-find components to meet their specific needs.

With the principle of “Quality Parts,Customers Priority,Honest Operation,and Considerate Service”,our business mainly focus on the distribution of electronic components. Line cards we deal with include Microchip,ALPS,ROHM,Xilinx,Pulse,ON,Everlight and Freescale. Main products comprise IC,Modules,Potentiometer,IC Socket,Relay,Connector.Our parts cover such applications as commercial,industrial, and automotives areas.

We are looking forward to setting up business relationship with you and hope to provide you with the best service and solution. Let us make a better world for our industry!



Contact us

Tel: +86-755-8981 8866 Fax: +86-755-8427 6832

Email & Skype: info@chipsmall.com Web: www.chipsmall.com

Address: A1208, Overseas Decoration Building, #122 Zhenhua RD., Futian, Shenzhen, China



SACB-4/ 4-10,0PUR SCO


Order No.: 1516975



<http://eshop.phoenixcontact.de/phoenix/treeViewClick.do?UID=1516975>

Sensor/actuator box, M12-SPEEDCON-socket, Number of slots: 4, Number of positions: 4, Slot assignment: Single, Status indication: No, Universal 180°, PUR/PVC, Cable length: 10 m, Shielding: No



Commercial data	
GTIN (EAN)	 4 017918 967642
Note	Made-to-order
sales group	D101
Pack	1 pcs.
Customs tariff	85366990
Catalog page information	Page 116 (PC-2009)

Product notes

WEEE/RoHS-compliant since:
09/02/2007



<http://www.download.phoenixcontact.com>
Please note that the data given here has been taken from the online catalog. For comprehensive information and data, please refer to the user documentation. The General Terms and Conditions of Use apply to Internet downloads.

Technical data

General data

Rated voltage	120 V
Max. operating voltage U_{max}	135 V
Current carrying capacity per I/O signal	2 A
Current carrying capacity per slot	4 A

Total rated current	12 A
Number of positions	4
Number of slots	4
Degree of protection	IP65/IP67/IP69K
Inflammability class acc. to UL 94	V0
Ambient temperature (operation)	-30 °C ... 90 °C
Sensor/actuator connection system	M12-SPEEDCON-socket

Master cable connection data

Type of connection	Fixed connection
Length of cable	10 m
Ambient temperature (operation)	-40 °C ... 90 °C (for fixed installation) -5 °C ... 80 °C (for flexible installation)
Tightening torque slot sensor/actuator cable	0.4 Nm
Tightening torque screw plug	0.4 Nm

Insulation material

Housing material	PBT
Material of the moulding mass	PUR
Contact material	Cu alloy
Contact surface material	Gold-plated
Contact carrier material	PA
Material of threaded sleeve	Zinc die-cast
Material of threaded sleeve surface	Nickel-plated
Material, O-ring	NBR

Pin assignment

Slot/position = Wire color or connection	1 / 4 (A) = WH
	2 / 4 (A) = GN
	3 / 4 (A) = YE
	4 / 4 (A) = GY
	1-4 / 1 (+ 120 V) = BN
	1-4 / 3 (0 V) = BU
	1-4 / 5 (PE) = GN/YE

Conductor data

Cable type	PUR/PVC black
------------	---------------

Cable abbreviation	LiYY11Y-HF
Conductor cross section	4x 0.34 mm ² (signal line) 3x 0.75 mm ² (Power supply)
AWG signal line	22
Conductor structure signal line	42x 0.10 mm
AWG power supply	19
Conductor structure, voltage supply	96x 0.10 mm
External cable diameter	8.70 mm
External sheath, color	Deep black RAL 9005
Nominal voltage, conductor	300 V
Test voltage, conductor	2000 V
Outer sheath, material	PUR
Material, inner sheath	PVC
Material conductor insulation	PVC
Conductor material	Bare Cu litz wires
Smallest bending radius, fixed installation	90 mm
Smallest bending radius, movable installation	90 mm
Number of bending cycles	1500000
Bending radius	90 mm
Traversing path	2 m
Traversing rate	2 m/s
Special properties	Silicone-free Free of substances which would hinder coating with paint or varnish
Flame resistance	DIN EN 50265-2-1
Resistance to oil	As per VDE 0472 Part 803
Other resistance	Highly resistant to acids, alkaline solutions and solvents

Certificates / Approvals



Certification CUL, UL

Accessories

Item	Designation	Description
------	-------------	-------------

Marking

0804963	SS-ZB 17,5 WH	Contact marker Zack strip, unprinted: 5-section, for snapping into equipment and components with special marker carrier, can be labeled with M-PEN, CMS system or label BMKT 17.5 x 8, lettering field: 17.5 x 8 mm, color: white
---------	---------------	---

Protection and sealing elements

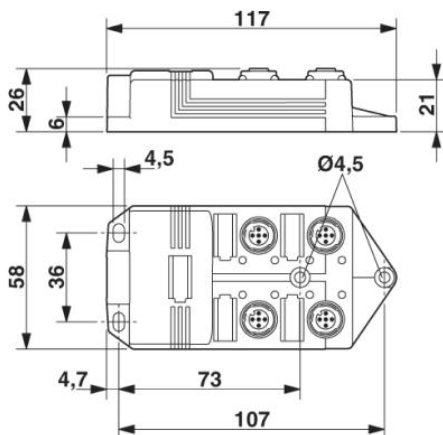
1553129	PROT-MS SCO	M12 screw plug with SPEEDCON quick locking for unoccupied M12 sockets of the sensor/actuator cables, boxes and flush-type connectors
---------	-------------	--

Tools

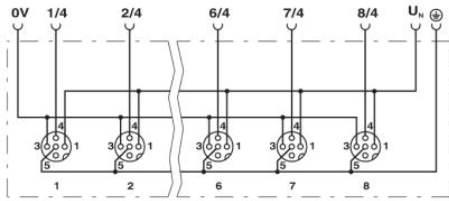
1208432	SAC BIT M12-D15	Nut for assembling sensor/actuator cables with M12 connector and for M12 connectors with QUICKON fast connection technology, for 4 mm hexagonal drive
1208445	SACC BIT M12-D20	Nut for assembling SACC M12 connectors for free assembly, excluding M12 connectors with QUICKON fast connection technology, for 4 mm hexagonal drive
1208429	TSD 04 SAC	Torque screwdriver, with preset torque of 0.4 Nm and 4 mm hexagonal drive for M12 connectors

Diagrams/Drawings

Dimensioned drawing

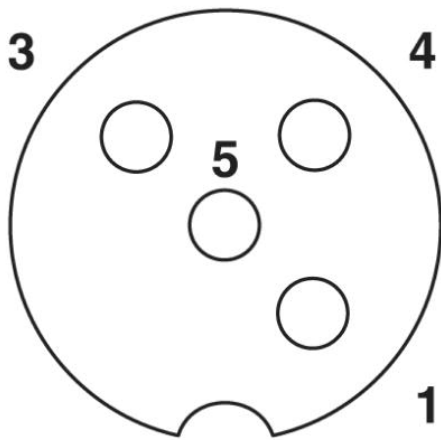


Circuit diagram



Schematic diagram

M12 slot, socket, 4-pos.



Address

PHOENIX CONTACT Inc., USA
586 Fulling Mill Road
Middletown, PA 17057, USA
Phone (800) 888-7388
Fax (717) 944-1625
<http://www.phoenixcon.com>



© 2010 Phoenix Contact
Technical modifications reserved;