



Chipsmall Limited consists of a professional team with an average of over 10 year of expertise in the distribution of electronic components. Based in Hongkong, we have already established firm and mutual-benefit business relationships with customers from,Europe,America and south Asia,supplying obsolete and hard-to-find components to meet their specific needs.

With the principle of “Quality Parts,Customers Priority,Honest Operation,and Considerate Service”,our business mainly focus on the distribution of electronic components. Line cards we deal with include Microchip,ALPS,ROHM,Xilinx,Pulse,ON,Everlight and Freescale. Main products comprise IC,Modules,Potentiometer,IC Socket,Relay,Connector.Our parts cover such applications as commercial,industrial, and automotives areas.

We are looking forward to setting up business relationship with you and hope to provide you with the best service and solution. Let us make a better world for our industry!



Contact us

Tel: +86-755-8981 8866 Fax: +86-755-8427 6832

Email & Skype: info@chipsmall.com Web: www.chipsmall.com

Address: A1208, Overseas Decoration Building, #122 Zhenhua RD., Futian, Shenzhen, China



SACB-8/16-10,0PUR SCO

Order No.: 1517071




<http://eshop.phoenixcontact.de/phoenix/treeViewClick.do?UID=1517071>

Sensor/actuator box, M12-SPEEDCON-socket, Number of slots: 8, Number of positions: 5, Slot assignment: Double, Status indication: No, Universal 180°, PUR/PVC, Cable length: 10 m, Shielding: No



Commercial data

| | |
|--------------------------|--|
| GTIN (EAN) |  4 017918 967741 |
| sales group | D101 |
| Pack | 1 pcs. |
| Customs tariff | 85366990 |
| Catalog page information | Page 116 (PC-2009) |

Product notes

WEEE/RoHS-compliant since: 12/14/2005



<http://www.download.phoenixcontact.com>
Please note that the data given here has been taken from the online catalog. For comprehensive information and data, please refer to the user documentation. The General Terms and Conditions of Use apply to Internet downloads.

Technical data

General data

| | |
|--|-------|
| Rated voltage | 120 V |
| Max. operating voltage U_{max} | 135 V |
| Current carrying capacity per I/O signal | 2 A |
| Current carrying capacity per slot | 4 A |

| | |
|------------------------------------|---------------------|
| Total rated current | 12 A |
| Number of positions | 5 |
| Number of slots | 8 |
| Degree of protection | IP65/IP67/IP69K |
| Inflammability class acc. to UL 94 | V0 |
| Ambient temperature (operation) | -30 °C ... 90 °C |
| Sensor/actuator connection system | M12-SPEEDCON-socket |

Master cable connection data

| | |
|--|--|
| Type of connection | Fixed connection |
| Length of cable | 10 m |
| Ambient temperature (operation) | -40 °C ... 90 °C (for fixed installation) -5 °C ... 80 °C (for flexible installation) |
| Tightening torque slot sensor/actuator cable | 0.4 Nm |
| Tightening torque screw plug | 0.4 Nm |

Insulation material

| | |
|-------------------------------------|---------------|
| Housing material | PBT |
| Material of the moulding mass | PUR |
| Contact material | Cu alloy |
| Contact surface material | Gold-plated |
| Contact carrier material | PA |
| Material of threaded sleeve | Zinc die-cast |
| Material of threaded sleeve surface | Nickel-plated |
| Material, O-ring | NBR |

Pin assignment

| | |
|--|----------------|
| Slot/position = Wire color or connection | 1 / 4 (A) = WH |
|--|----------------|

| | |
|--|------------------------|
| | 1 / 2 (B) = GY/PK |
| | 2 / 4 (A) = GN |
| | 2 / 2 (B) = RD/BU |
| | 3 / 4 (A) = YE |
| | 3 / 2 (B) = WH/GN |
| | 4 / 4 (A) = GY |
| | 4 / 2 (B) = BN/GN |
| | 5 / 4 (A) = PK |
| | 5 / 2 (B) = WH/YE |
| | 6 / 4 (A) = RD |
| | 6 / 2 (B) = YE/BN |
| | 7 / 4 (A) = BK |
| | 7 / 2 (B) = WH/GY |
| | 8 / 4 (A) = VT |
| | 8 / 2 (B) = GY/BN |
| | 1-8 / 1 (+ 120 V) = BN |
| | 1-8 / 3 (0 V) = BU |
| | 1-8 / 5 (PE) = GN/YE |

Conductor data

| | |
|-------------------------------------|--|
| Cable type | Master cable suitable for flexible cable conduit |
| Cable abbreviation | LiYY11Y-HF |
| UL AWM Style | 20549 |
| Conductor cross section | 16x 0.5 mm ² (signal line) 3x 1 mm ² (power line) |
| AWG signal line | 20 |
| Conductor structure signal line | 28x 0.15 mm |
| AWG power supply | 17 |
| Conductor structure, voltage supply | 56x 0.15 mm |
| Core diameter including insulation | 1.5 mm ±0.1 mm (signal line) 2.1 mm ±0.1 mm (power line) |
| External cable diameter | 10.50 mm |
| External sheath, color | Deep black RAL 9005 |
| Nominal voltage, conductor | 300 V |
| Test voltage, conductor | 2000 V |
| Overall twist | Wires twisted in layers |

| | |
|---|--|
| Outer sheath, material | PUR |
| Material, inner sheath | PVC |
| Material conductor insulation | PVC |
| Conductor material | Bare Cu litz wires |
| Smallest bending radius, fixed installation | 105 mm |
| Smallest bending radius, movable installation | 105 mm |
| Number of bending cycles | 1500000 |
| Bending radius | 105 mm |
| Traversing path | 2 m |
| Traversing rate | 2 m/s |
| Ambient temperature (operation) | -40 °C ... 90 °C (cable, fixed installation) -5 °C ... 80 °C (cable, flexible installation) |
| Special properties | Silicone-free |
| Flame resistance | DIN EN 50265 |
| Resistance to oil | As per VDE 0472 Part 803 |
| Other resistance | Highly resistant to acids, alkaline solutions and solvents |

Certificates / Approvals



Certification CUL, UL

Accessories

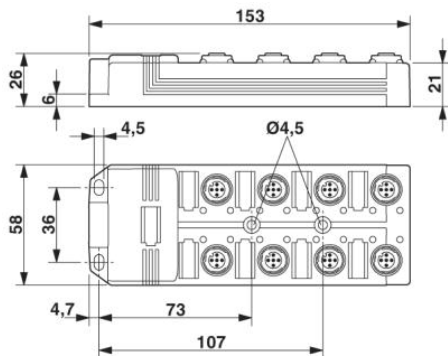
| Item | Designation | Description |
|--|---------------|---|
| Marking | | |
| 0804963 | SS-ZB 17,5 WH | Contact marker Zack strip, unprinted: 5-section, for snapping into equipment and components with special marker carrier, can be labeled with M-PEN, CMS system or label BMKT 17.5 x 8, lettering field: 17.5 x 8 mm, color: white |
| Protection and sealing elements | | |
| 1553129 | PROT-MS SCO | M12 screw plug with SPEEDCON quick locking for unoccupied M12 sockets of the sensor/actuator cables, boxes and flush-type connectors |

Tools

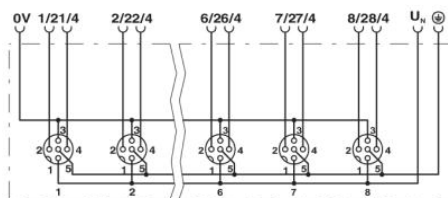
| | | |
|---------|------------------|---|
| 1208432 | SAC BIT M12-D15 | Nut for assembling sensor/actuator cables with M12 connector and for M12 connectors with QUICKON fast connection technology, for 4 mm hexagonal drive |
| 1208445 | SACC BIT M12-D20 | Nut for assembling SACC M12 connectors for free assembly, excluding M12 connectors with QUICKON fast connection technology, for 4 mm hexagonal drive |
| 1208429 | TSD 04 SAC | Torque screwdriver, with preset torque of 0.4 Nm and 4 mm hexagonal drive for M12 connectors |

Diagrams/Drawings

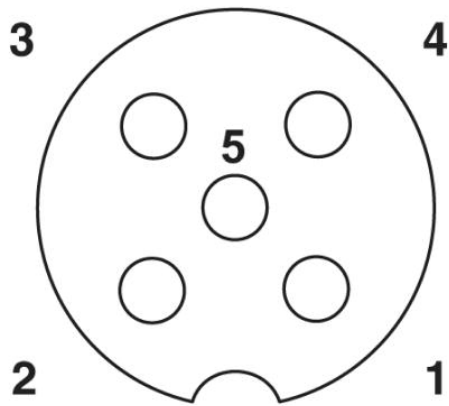
Dimensioned drawing



Circuit diagram



Schematic diagram



M12 slot, socket, 5-pos.

Address

PHOENIX CONTACT Inc., USA
586 Fulling Mill Road
Middletown, PA 17057, USA
Phone (800) 888-7388
Fax (717) 944-1625
<http://www.phoenixcon.com>



© 2010 Phoenix Contact
Technical modifications reserved;