



Chipsmall Limited consists of a professional team with an average of over 10 year of expertise in the distribution of electronic components. Based in Hongkong, we have already established firm and mutual-benefit business relationships with customers from,Europe,America and south Asia,supplying obsolete and hard-to-find components to meet their specific needs.

With the principle of “Quality Parts,Customers Priority,Honest Operation,and Considerate Service”,our business mainly focus on the distribution of electronic components. Line cards we deal with include Microchip,ALPS,ROHM,Xilinx,Pulse,ON,Everlight and Freescale. Main products comprise IC,Modules,Potentiometer,IC Socket,Relay,Connector.Our parts cover such applications as commercial,industrial, and automotives areas.

We are looking forward to setting up business relationship with you and hope to provide you with the best service and solution. Let us make a better world for our industry!



## Contact us

Tel: +86-755-8981 8866 Fax: +86-755-8427 6832

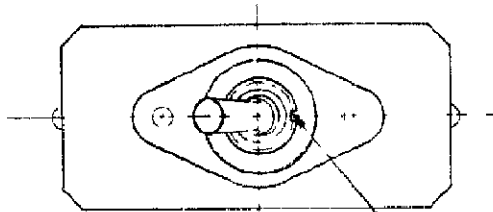
Email & Skype: info@chipsmall.com Web: www.chipsmall.com

Address: A1208, Overseas Decoration Building, #122 Zhenhua RD., Futian, Shenzhen, China

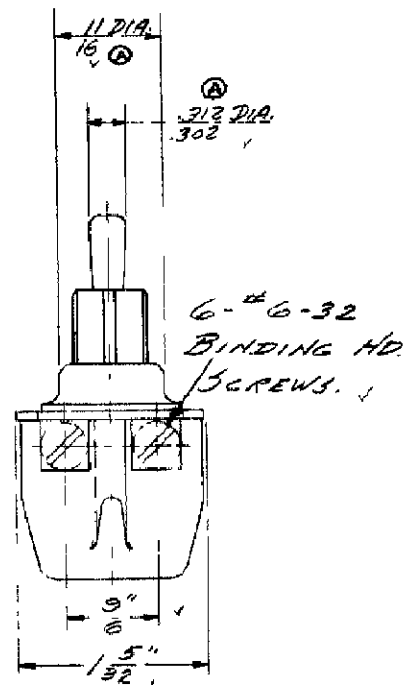
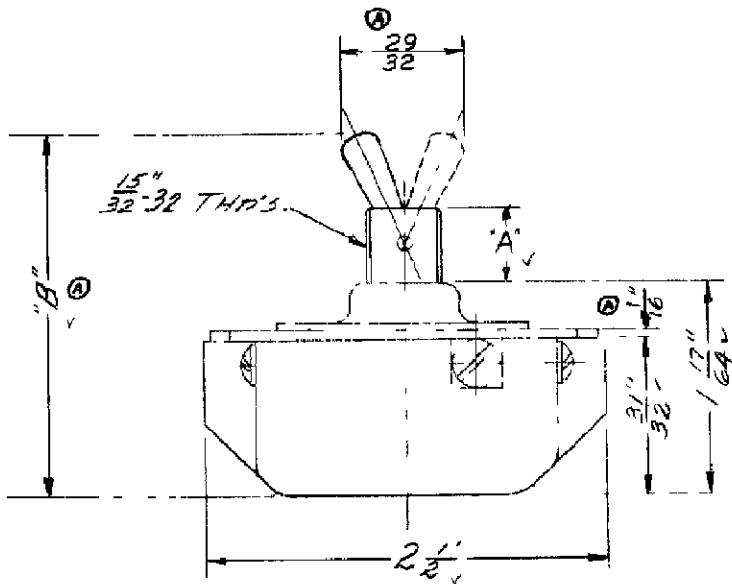


**A 90-287**  
DWO. SIZE

RAW MATERIAL SPECIFICATION WITH PART NO.



068" KEYWAY  
075" KEYWAY



FOR 90-283-2	A = $\frac{13}{32}$ "	B = $2 \frac{35}{64}$ "	ⓐ
FOR 90-283	A = $\frac{11}{32}$ "	B = $2 \frac{27}{64}$ "	ⓑ

NAME *DIM. FOR D.P.D.T., 10 AMP. ONE HOLE MFG. TOOL HANDLE SW.*

ORDER NUMBER <i>DA 3829-N</i>	SUPERSEDES	SUPERSEDED	FINISH —	FIRST ASSEMBLY WHERE USED <i>SEE ABOVE</i>
----------------------------------	------------	------------	-------------	-----------------------------------------------

A	REINSTATED	ECNA09260001	9/27/00	9/27/00
---	------------	--------------	---------	---------

DRAWN BY <i>H. Schupp</i>	TRACED BY	CHECKED BY <i>J. Pauch</i>	APPROVED BY <i>PAUCH</i>
------------------------------	-----------	-------------------------------	-----------------------------

STANDARD TOLERANCES GO-STDs APPLY TO DIMENSIONS FOR WHICH TOLERANCES ARE NOT SHOWN

CUTLER-HAMMER, INC. MILWAUKEE NEW YORK **A 90-287** DWO. SIZE

CHARLES BRUNING CO., INC