



Chipsmall Limited consists of a professional team with an average of over 10 year of expertise in the distribution of electronic components. Based in Hongkong, we have already established firm and mutual-benefit business relationships with customers from,Europe,America and south Asia,supplying obsolete and hard-to-find components to meet their specific needs.

With the principle of “Quality Parts,Customers Priority,Honest Operation,and Considerate Service”,our business mainly focus on the distribution of electronic components. Line cards we deal with include Microchip,ALPS,ROHM,Xilinx,Pulse,ON,Everlight and Freescale. Main products comprise IC,Modules,Potentiometer,IC Socket,Relay,Connector.Our parts cover such applications as commercial,industrial, and automotives areas.

We are looking forward to setting up business relationship with you and hope to provide you with the best service and solution. Let us make a better world for our industry!



## Contact us

Tel: +86-755-8981 8866 Fax: +86-755-8427 6832

Email & Skype: info@chipsmall.com Web: www.chipsmall.com

Address: A1208, Overseas Decoration Building, #122 Zhenhua RD., Futian, Shenzhen, China

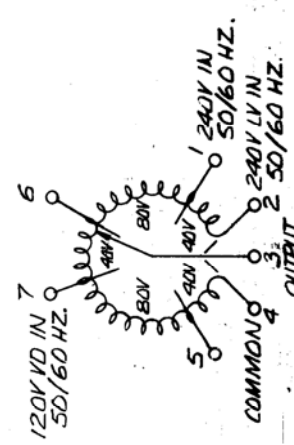
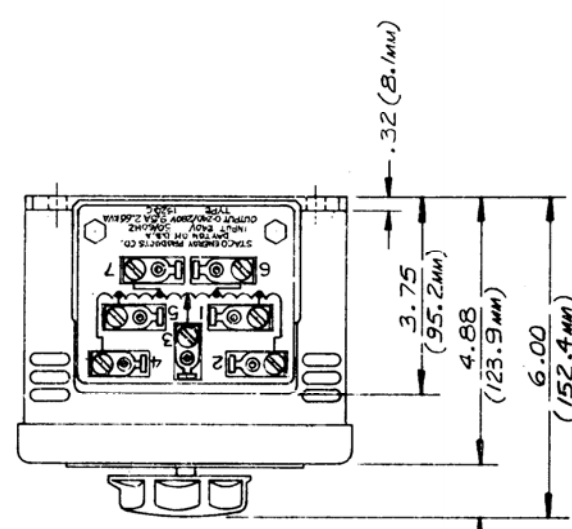
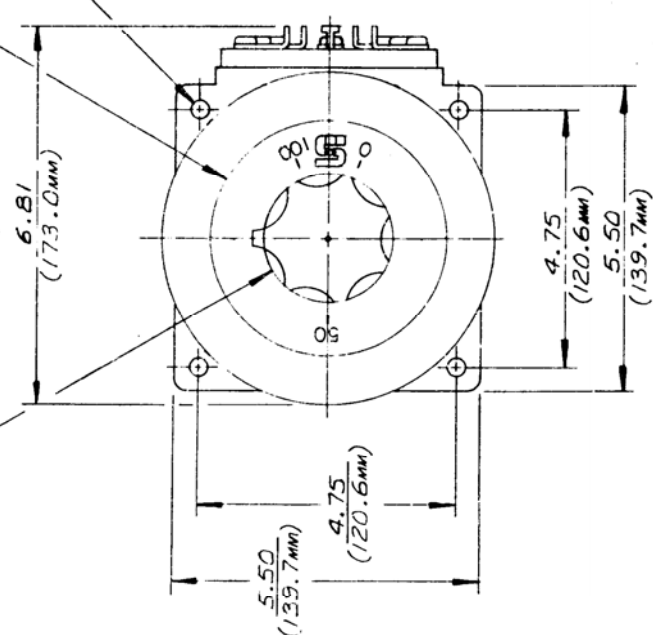


DATE	REVISED
031-3950	
BY	DATE
BY	DATE
BY	DATE

3.75 (95.2mm) DIA. DIAL  
GRADUATED 0-100

(4) HOLES FOR  
.31 (7.8mm)  
MTG. BOLTS

2.50 (63.5mm)  
DIA. KNOB



SCHEMATIC  
VIEWED FROM BASE END  
FUSE RECOMMENDED BUT  
NOT SUPPLIED

SPECIFICATIONS

WIRING	INPUT		OUTPUT				SHAFT ROTATION FOR VOLTAGE INCREASE	TERMINAL CONNECTIONS FOR INCREASING VOLTAGE AS VIEWED FROM BASE END
	VOLTS	HERTZ	CONSTANT CURRENT LOAD	CONSTANT IMPEDANCE LOAD	MAX. AMPS	MAX. KVA		
SINGLE PHASE	240	50 60	9.5	2.28	12	2.86	CW	2-4
	120	50 60	9.5	2.66	—	—	CCW	4-3
			9.5	1.14	—	—	CCW	2-3
			9.5	1.14	—	—	CCW	2-3
			9.5	1.14	—	—	CCW	2-3
			9.5	1.14	—	—	CCW	2-3

STACO SPECIFICATION  
CONTROL DRAWING  
VARIABLE TRANSFORMER  
TYPE: 1520C



DAYTON, OHIO U.S.A.

DATE	REVISED
031-3950	
BY	DATE
BY	DATE
BY	DATE