



Chipsmall Limited consists of a professional team with an average of over 10 year of expertise in the distribution of electronic components. Based in Hongkong, we have already established firm and mutual-benefit business relationships with customers from,Europe,America and south Asia,supplying obsolete and hard-to-find components to meet their specific needs.

With the principle of "Quality Parts,Customers Priority,Honest Operation,and Considerate Service",our business mainly focus on the distribution of electronic components. Line cards we deal with include Microchip,ALPS,ROHM,Xilinx,Pulse,ON,Everlight and Freescale. Main products comprise IC,Modules,Potentiometer,IC Socket,Relay,Connector.Our parts cover such applications as commercial,industrial, and automotives areas.

We are looking forward to setting up business relationship with you and hope to provide you with the best service and solution. Let us make a better world for our industry!



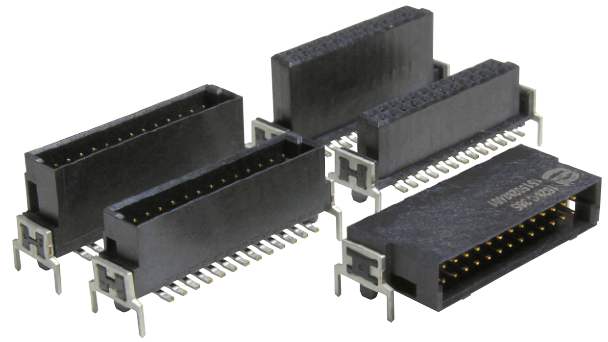
Contact us

Tel: +86-755-8981 8866 Fax: +86-755-8427 6832

Email & Skype: info@chipsmall.com Web: www.chipsmall.com

Address: A1208, Overseas Decoration Building, #122 Zhenhua RD., Futian, Shenzhen, China





har-flex® THR

Description

- THR stands for Through Hole Reflow and describes the termination technique of the hold downs, positioned on both sides of the connector
- The har-flex® THR combines the advantages of robust through hole solder connections with the automated processing features of SMD components
- These connectors are tailored for miniaturised and mechanically stressed applications

Technical characteristics

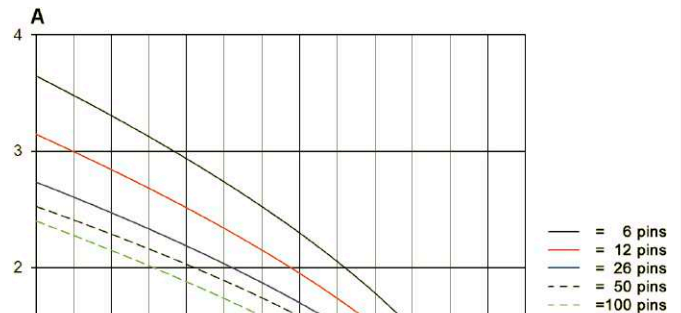
Number of contacts	6 ... 100
Connector pitch	1.27 mm x 1.27 mm [0.050" x 0.050"]
Mating cycles	≥ 500, acc. to performance level 1
Working temperature range	for connectors: - 55 °C ... + 125 °C The higher temperature limit includes the local ambient and heating effects of the contacts under load Temperature during reflow soldering (acc. to ECA/IPC/JEDEC J-STD-075 Level PSL R0) min. 150 s > 217 °C min. 30 s > 240 °C
Electrical termination	Contacts SMT (Surface Mount Technology) Hold downs THR (Through Hole Reflow)
Materials	Moulding material LCP UL approval UL 94-V0 Contacts base material Copper alloy Contact surface Mating side Board connectors Au over PdNi Termination side Board connectors (SMT) Sn

Technical characteristics

Current carrying capacity acc. to IEC 60512-5-2

The current carrying capacity is limited by maximum temperature of materials for inserts and contacts including terminals. The current capacity-curve is valid for continuous, not interrupted current-loaded contacts of connectors when simultaneous power on all contacts is given, without exceeding the maximum temperature.

Control and test procedures according to DIN IEC 60512-5-2.



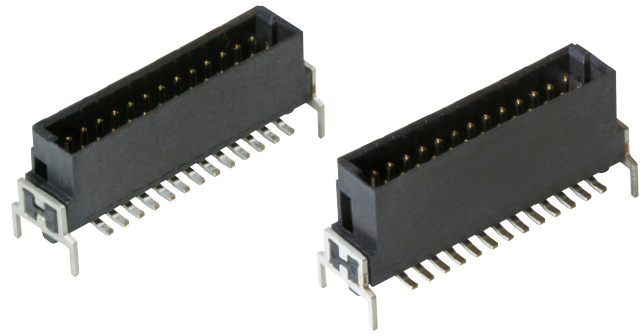
Derating curve at I_{max} * 0.8 (IEC 60512-5-2)

Working voltage acc. to IEC 60664-1

The working voltage depends on user specific operational conditions. Depending on the installation category, the degree of pollution and the entire electrical environment, the working voltage is different. The standard IEC 60664-1 specifies, in general, the minimum insulation distances for equipment. But it can also be used to determine the maximum working voltage with given requirements.

The following table shows the most common conditions applicable for the har-flex® connectors and exemplary calculations for the working voltage. For installation category, degree of pollution and other requirements which are not shown in the table we refer to the IEC 60664-1.

Clearance / Creepage distance	0.4 mm			
CTI-Value	< 400			
Isolation group	III a/b			
Electrical field type	Case A (Inhomogeneous field)		Case B (Homogeneous field)	
Installation category	I	II	I	II
Degree of pollution	1	1	1	1
Working voltage max.	150 V	100 V	150 V	150 V

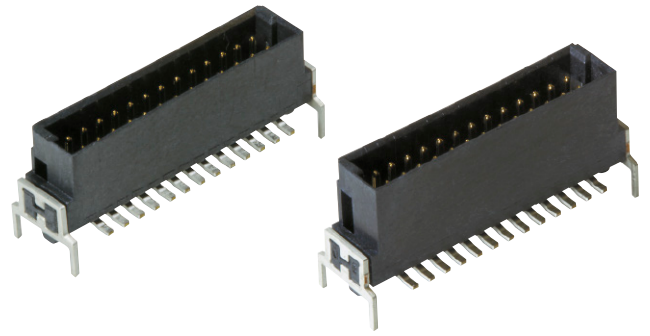


Male connectors, straight,
with robust THR hold downs

Identification	No. of contacts	Part number	Dimensions in mm						
			B	C	D	E	F	G	H
Male connector, straight, with robust THR hold downs, stacking heights 1.75 / 3.25 mm	6	15 1 . 006 2401 ...	6.96	8.89	5.76	4.76	6.56	1.05	8.06
	12	15 1 . 012 2401 ...	10.77	12.70	9.57	8.57	10.37	2.96	11.87
	16	15 1 . 016 2401 ...	13.31	15.24	12.11	11.11	12.91	4.23	14.41
	20	15 1 . 020 2401 ...	15.85	17.78	14.65	13.65	15.45	5.50	16.95
	26	15 1 . 026 2401 ...	19.66	21.59	18.46	17.46	19.26	7.40	20.76
	32	15 1 . 032 2401 ...	23.47	25.40	22.27	21.27	23.07	9.31	24.57
	40	15 1 . 040 2401 ...	28.55	30.48	27.35	26.35	28.15	11.85	29.65
	50	15 1 . 050 2401 ...	34.90	36.83	33.70	32.70	34.50	15.02	36.00
	68	15 1 . 068 2401 ...	46.33	48.26	45.13	44.13	45.93	20.74	47.43
	80	15 1 . 080 2401 ...	53.95	55.88	52.75	51.75	53.55	24.55	55.14
	100	15 1 . 100 2401 ...	66.65	68.58	65.45	64.45	66.25	30.90	67.75

Please insert digit
for stacking height

1.75 mm ▶ 1
3.25 mm ▶ 2



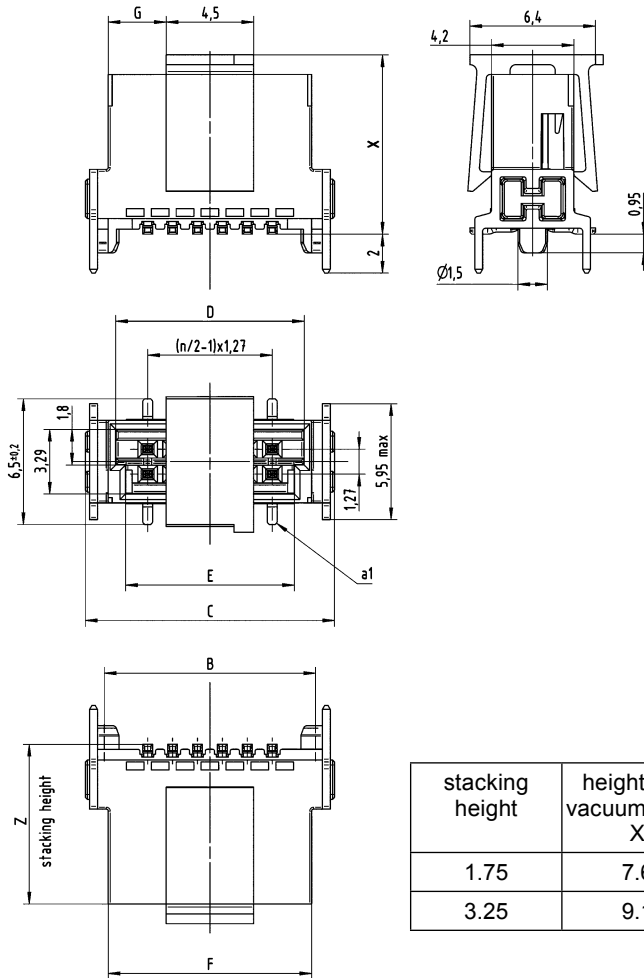
Male connectors, straight,
with robust THR hold downs

Identification

Drawing

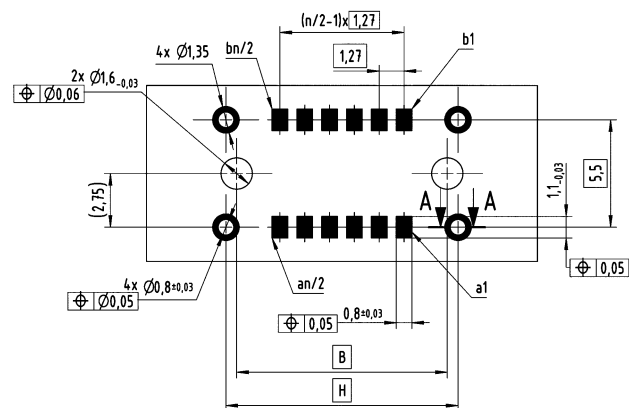
Dimensions in mm

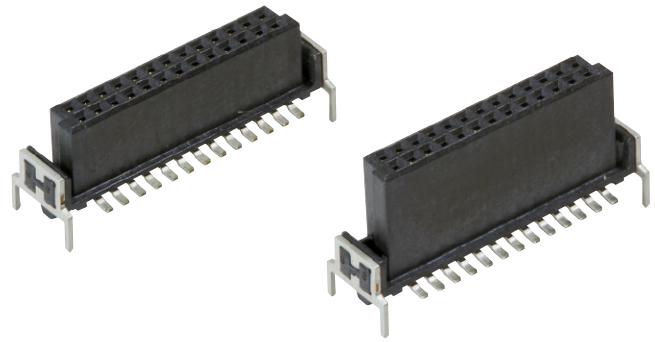
Dimensions



stacking height	height with vacuum cover X	unmated height Z
1.75	7.6	6.6
3.25	9.1	8.1

PCB layout



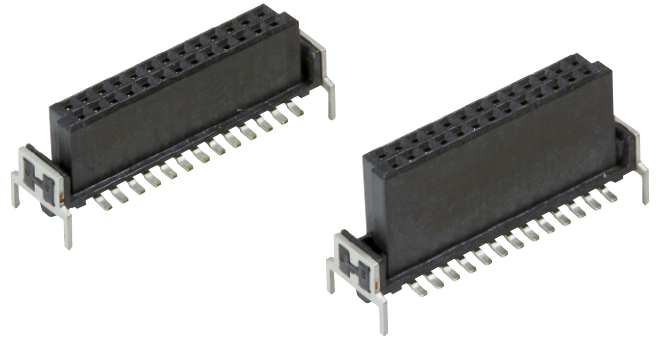


Female connectors, straight,
with robust THR hold downs

Identification	No. of contacts	Part number	Dimensions in mm						
			A	B	C	D	E	G	H
Female connector, straight, with robust THR hold downs, stacking heights 6.25 / 9.05 mm	6	15 2 . 006 2401 ...	2.54	6.96	8.89	5.56	4.56	1.19	8.06
	12	15 2 . 012 2401 ...	6.35	10.77	12.70	9.37	8.37	2.46	11.87
	16	15 2 . 016 2401 ...	8.89	13.31	15.24	11.91	10.91	3.73	14.41
	20	15 2 . 020 2401 ...	11.43	15.85	17.78	14.45	13.45	5.00	16.95
	26	15 2 . 026 2401 ...	15.24	19.66	21.59	18.26	17.26	7.54	20.76
	32	15 2 . 032 2401 ...	19.05	23.47	25.40	22.07	21.07	8.81	24.57
	40	15 2 . 040 2401 ...	24.13	28.55	30.48	27.15	26.15	11.35	29.65
	50	15 2 . 050 2401 ...	30.48	34.90	36.83	33.50	32.50	15.16	36.00
	68	15 2 . 068 2401 ...	41.91	46.33	48.26	44.93	43.93	20.24	47.43
	80	15 2 . 080 2401 ...	49.53	53.95	55.88	52.55	51.55	24.05	55.14
	100	15 2 . 100 2401 ...	62.23	66.65	68.58	65.25	64.25	30.40	67.75

Please insert digit
for stacking height

6.25 mm ▶ 1
9.05 mm ▶ 2



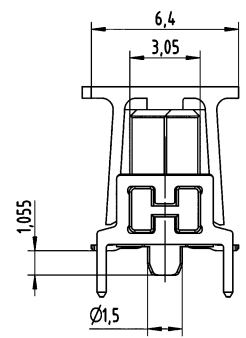
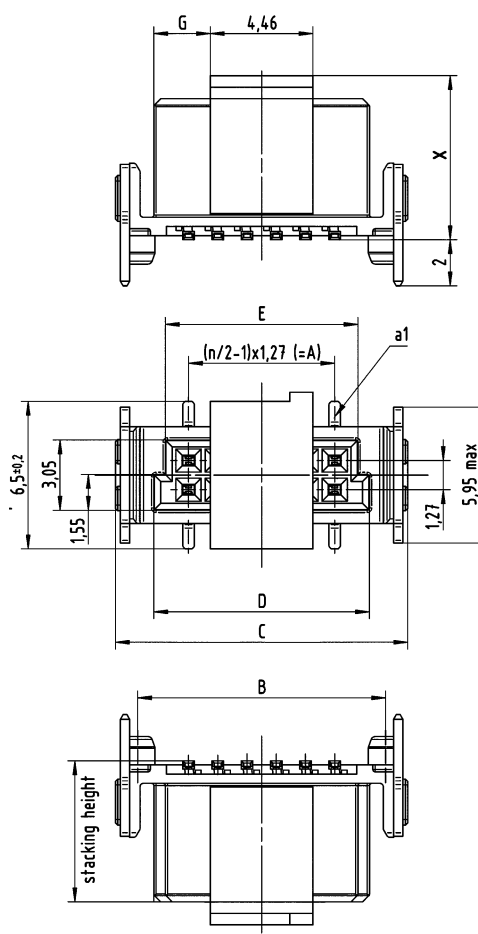
Female connectors, straight,
with robust THR hold downs

Identification

Drawing

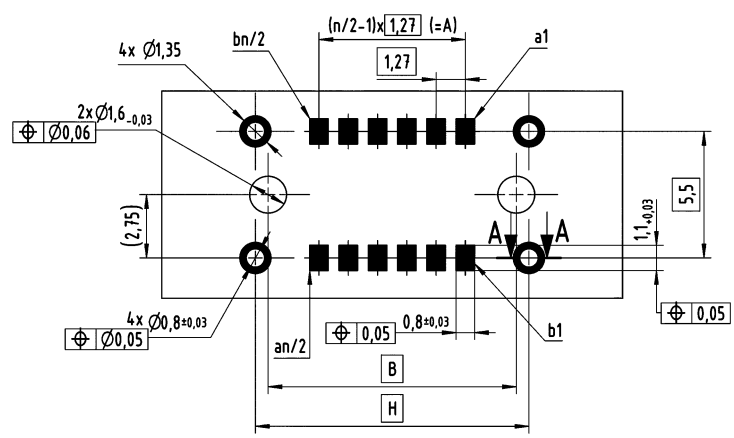
Dimensions in mm

Dimensions



stacking height	height with vacuum cover X
6.25	7.1
9.05	9.9

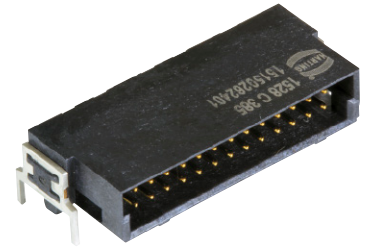
PCB layout





Male connectors, angled,
with robust THR hold downs

Identification	No. of contacts	Part number	Dimensions in mm					
			A	B	C	D	E	F
Male connector, angled, with robust THR hold downs	12	15 15 012 2401 ...	6.35	10.77	12.70	9.57	8.57	12.70
	26	15 15 026 2401 ...	15.24	19.66	21.59	18.46	17.46	21.59
	80	15 15 080 2401 ...	49.53	53.95	55.88	52.75	51.75	55.88
	100	15 15 100 2401 ...	62.23	66.65	68.58	65.45	64.45	68.58



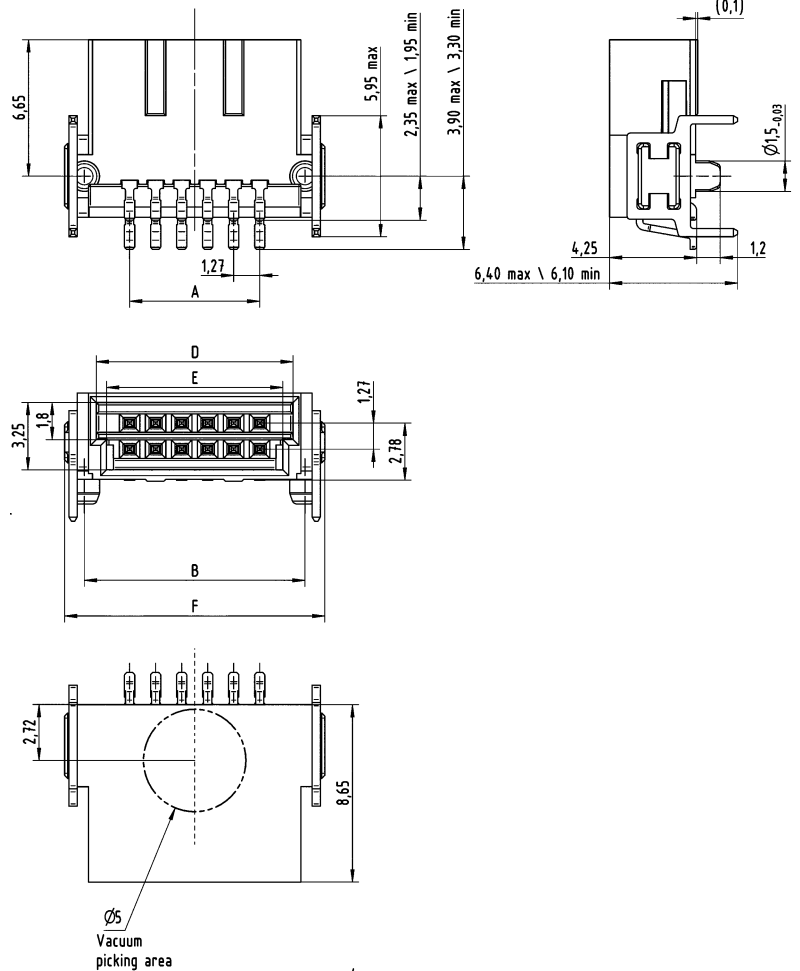
Male connectors, angled,
with robust THR hold downs

Identification

Drawing

Dimensions in mm

Dimensions



PCB layout

