



Chipsmall Limited consists of a professional team with an average of over 10 year of expertise in the distribution of electronic components. Based in Hongkong, we have already established firm and mutual-benefit business relationships with customers from,Europe,America and south Asia,supplying obsolete and hard-to-find components to meet their specific needs.

With the principle of “Quality Parts,Customers Priority,Honest Operation,and Considerate Service”,our business mainly focus on the distribution of electronic components. Line cards we deal with include Microchip,ALPS,ROHM,Xilinx,Pulse,ON,Everlight and Freescale. Main products comprise IC,Modules,Potentiometer,IC Socket,Relay,Connector.Our parts cover such applications as commercial,industrial, and automotives areas.

We are looking forward to setting up business relationship with you and hope to provide you with the best service and solution. Let us make a better world for our industry!



Contact us

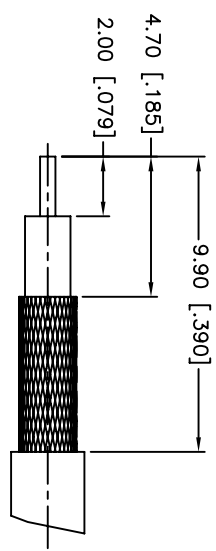
Tel: +86-755-8981 8866 Fax: +86-755-8427 6832

Email & Skype: info@chipsmall.com Web: www.chipsmall.com

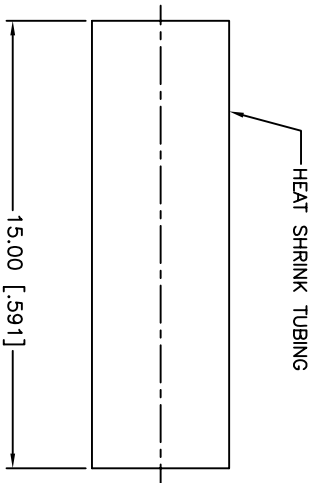
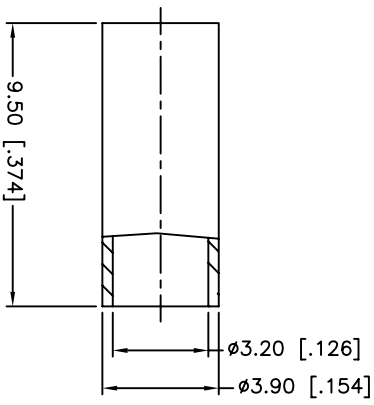
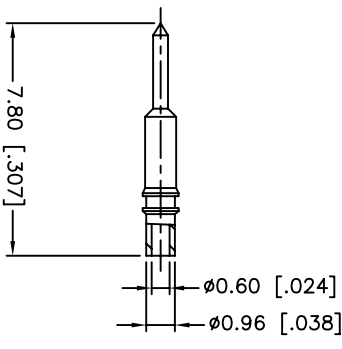
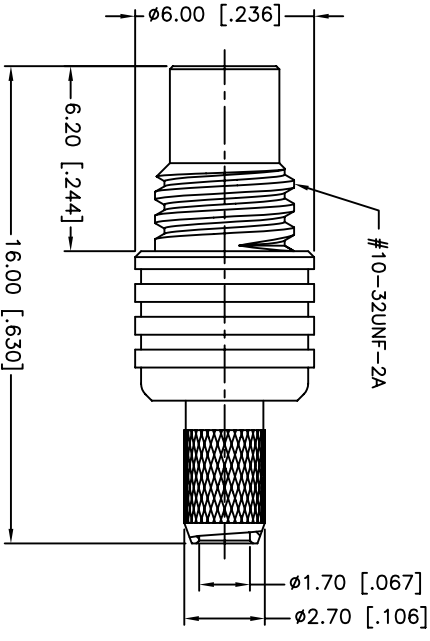
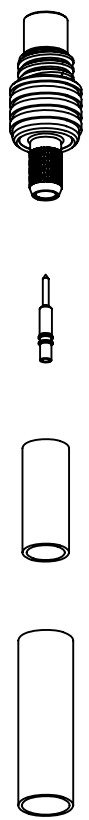
Address: A1208, Overseas Decoration Building, #122 Zhenhua RD., Futian, Shenzhen, China



REV.	DATE	ECR NO.	DESCRIPTION
NC	09/08/11	XXXXXX	INITIAL RELEASE



RECOMMENDED
CABLE STRIPPING DIM'S



1. IMPEDANCE: 50 OHM
 2. FREQUENCY RANGE: DC 0-10 GHz
 3. DIELECTRIC WITHSTANDING VOLTAGE: 1000 VRMS, MIN.
 4. CRIMPED FERRULE
 5. CRIMPED CONTACT PIN
- SO. CRIMP SIZE 0.7(mm)

QTY	FINISH	MATERIAL	DESCRIPTION
1	GOLD	BRASS	BODY
1	NATURAL	PTE	INSULATOR
1	GOLD	BRASS	BARREL
1	GOLD	BRASS	CONTACT PIN
1	GOLD	BRASS	FERRULE
1	BLACK	BLACK	HEAT SHRINK TUBING

UNLESS OTHERWISE SPECIFIED, DIMENSIONS ARE IN INCHES AND FOR CUSTOMER REFERENCE ONLY.
TOLERANCES FOR MILLIMETERS ARE:
UNLESS OTHERWISE SPECIFIED
0.5 - 8mm ± 0.20mm
8 - 30mm ± 0.40mm
30 - 120mm ± 0.50mm
TOLERANCES FOR INCHES ARE:
UNLESS OTHERWISE SPECIFIED
.020 - .315 = ± 0.007"
.315 - 1.180 = ± 0.015"
1.180 - 4.724 = ± 0.020"

APPROVALS	DATE
M.ZHANG	09/08/11
CHECKED	
ISSUED	
SHEET 1 OF 1	

Amphenol Connex

SMC CRIMP JACK
(FOR RG-174/U, 188A/U, 316/U CABLE)

PART NO. 152103

DWG. NO. 152103.DWG

REV. NC SIZE A SCALE NA

DO NOT SCALE DRAWING

C:/CONNEX/152103.DWG