



Chipsmall Limited consists of a professional team with an average of over 10 year of expertise in the distribution of electronic components. Based in Hongkong, we have already established firm and mutual-benefit business relationships with customers from,Europe,America and south Asia,supplying obsolete and hard-to-find components to meet their specific needs.

With the principle of “Quality Parts,Customers Priority,Honest Operation,and Considerate Service”,our business mainly focus on the distribution of electronic components. Line cards we deal with include Microchip,ALPS,ROHM,Xilinx,Pulse,ON,Everlight and Freescale. Main products comprise IC,Modules,Potentiometer,IC Socket,Relay,Connector.Our parts cover such applications as commercial,industrial, and automotives areas.

We are looking forward to setting up business relationship with you and hope to provide you with the best service and solution. Let us make a better world for our industry!



## Contact us

Tel: +86-755-8981 8866 Fax: +86-755-8427 6832

Email & Skype: info@chipsmall.com Web: www.chipsmall.com

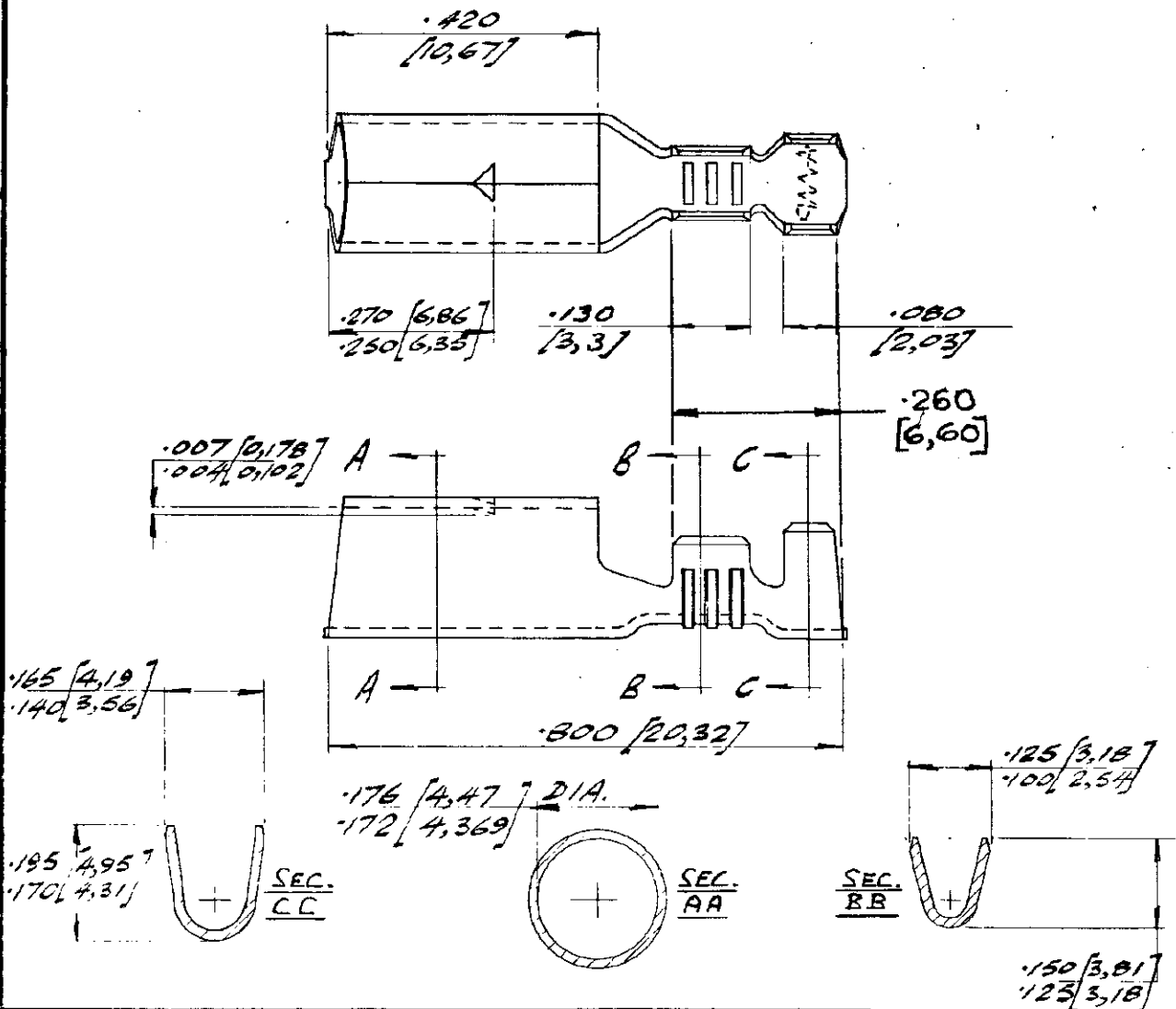
Address: A1208, Overseas Decoration Building, #122 Zhenhua RD., Futian, Shenzhen, China



NUMBER  
C152404

3rd ANGLE (AMERICAN) PROJECTION

DIMENSIONS IN INCHES. DO NOT SCALE PRINT  
DIMENSIONS THUS [ ] IN MM.



152404-5	PHOS. BRONZE	ELECTRO TIN
152404-4	SPECIAL BRASS	NONE
152404-3	PHOS. BRONZE	NONE
152404-2	BRASS	ELECTRO TIN
152404-1	BRASS	NONE
PART N°	MATERIAL	FINISH

© AIRCRAFT/MARINE PRODUCTS  
GREAT BRITAIN, LTD 1970

CUSTOMER COPY  
REFERENCE ONLY

D	- 5 ADDED	J.C.	1/1/82
C	.260 [6,60] DIM. ADDED	KS	2/1/82
B	- 4 ADDED	T.C.	17-6-74
A	.130 AND .125	W	31-1-72
REV	REVISION RECORD	DR	CHK

MATERIAL AND FINISH:  $.016$  [0,41] STOCK THICK.

**AMP Industrial**

A DIVISION OF AIRCRAFT-MARINE PRODUCTS (GREAT BRITAIN) LTD STANMORE, MDDX.

WIRE - RANGE - INSULATION TYPE: 20-16 [0,22-3,05]

SCALE: 4:1

NO: EAC-152404

F. WELLS 1/6/70  
RSMITH 1/6/70  
J. A. BRACE 1/6/70

$.180$  [4,57] DIA.  
SHUR PLUG RECEPTACLE