



Chipsmall Limited consists of a professional team with an average of over 10 year of expertise in the distribution of electronic components. Based in Hongkong, we have already established firm and mutual-benefit business relationships with customers from,Europe,America and south Asia,supplying obsolete and hard-to-find components to meet their specific needs.

With the principle of “Quality Parts,Customers Priority,Honest Operation,and Considerate Service”,our business mainly focus on the distribution of electronic components. Line cards we deal with include Microchip,ALPS,ROHM,Xilinx,Pulse,ON,Everlight and Freescale. Main products comprise IC,Modules,Potentiometer,IC Socket,Relay,Connector.Our parts cover such applications as commercial,industrial, and automotives areas.

We are looking forward to setting up business relationship with you and hope to provide you with the best service and solution. Let us make a better world for our industry!



## Contact us

Tel: +86-755-8981 8866 Fax: +86-755-8427 6832

Email & Skype: info@chipsmall.com Web: www.chipsmall.com

Address: A1208, Overseas Decoration Building, #122 Zhenhua RD., Futian, Shenzhen, China



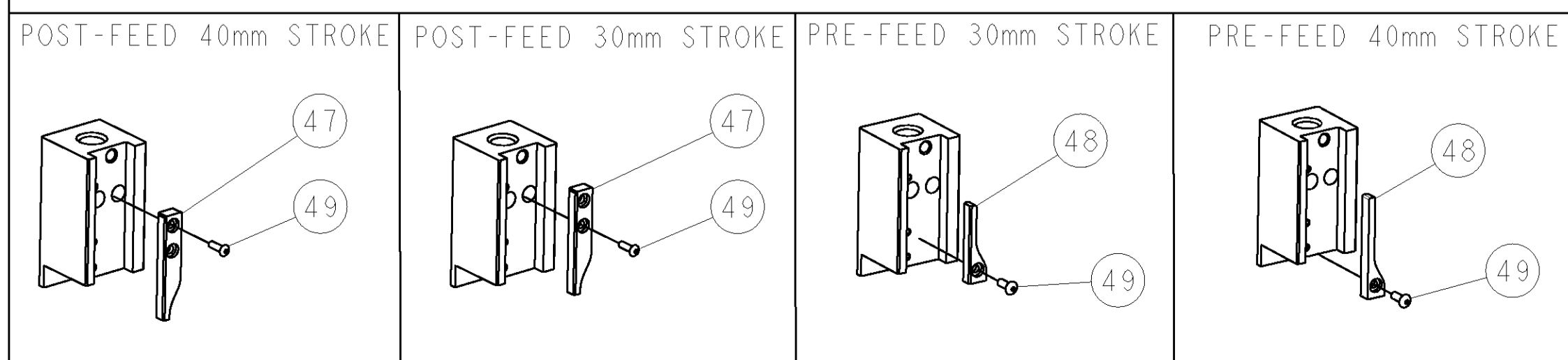
PART NUMBER	REV	TERMINATOR	FEED TYPE	DESCRIPTION
1528600-1	A	LEADMAKER	MECH POST FEED	CUTS CARRIER
1528600-2	A	BENCH	MECH PRE FEED	CUTS CARRIER
1528600-6	A	LEADMAKER	MECH POST FEED	CONTINUOUS CARRIER
7-1528600-1	A	LEADMAKER	MECH POST FEED	-1 AND SPARE PARTS
7-1528600-2	A	BENCH	MECH PRE FEED	-2 AND SPARE PARTS
7-1528600-6	A	LEADMAKER	MECH POST FEED	-6 AND SPARE PARTS
7-1528600-7	A	-	-	SPARE PARTS KIT

CRIMP DATA		DEUTSCH CRIMP SPEC	
TERMINAL NAME: DEUTSCH STAMPED CONTACT PIN/SOCKET			
CRIMP	SIZE	TYPE	RANGE
WIRE	1.93 [0.076 IN]	F	0.50-1.00mm <sup>2</sup> or 20-16 AWG
INSUL	2.03 [0.080 IN]	0	1.40-2.30 [0.055-0.090 IN]
WIRE STRIP LENGTH 3.81-5.08 [1.50-2.00 IN]		APPL INSTRUCTIONS 408-8322 & 408-8490	
TERMINAL DEUTSCH APPL SPEC 0425-203-0000		FEED [2.70 [1.500 IN]]	
TERMINALS APPLIED			
TYCO PN	MFR PN	TYCO PN	MFR PN
286503-4	1060-16-0622	286504-4	1062-16-0622
286503-5	1060-16-0644	286504-5	1062-16-0644
286503-6	1060-16-0688	286504-6	1062-16-0688
WIRE SIZE			
CRIMP HEIGHT	REF	SETTING	
16 AWG	1.27 [0.050 IN]	C 1	
1.00 mm <sup>2</sup>	1.27 [0.050 IN]	C 1	
18 AWG	1.24 [0.049 IN]	C 3	
0.75 mm <sup>2</sup>	1.22 [0.048 IN]	C 4	
20 AWG	1.22 [0.048 IN]	C 4	
0.50 mm <sup>2</sup>	1.14 [0.045 IN]	D 0	

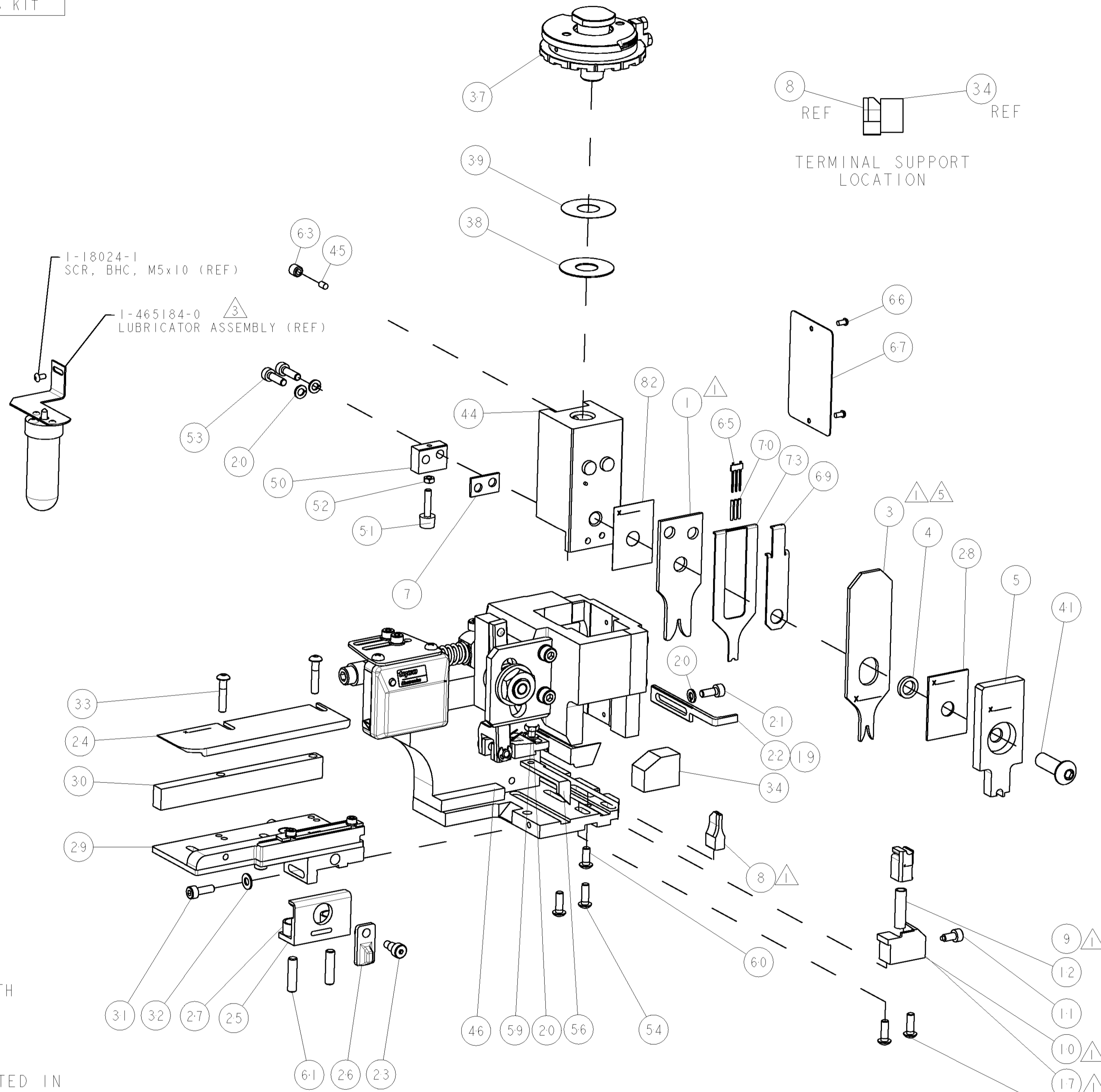
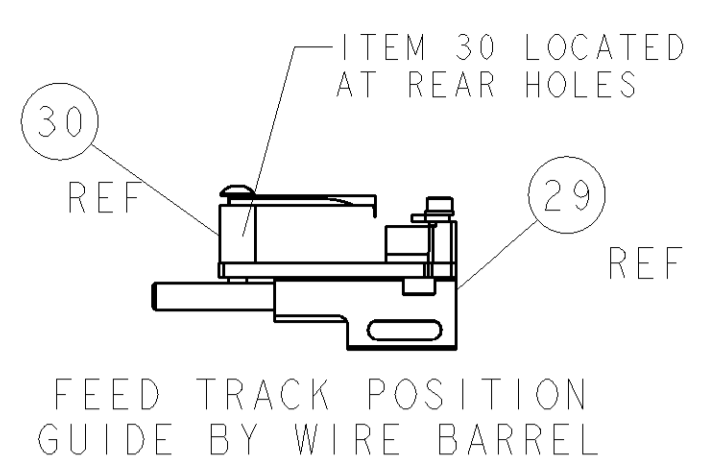
- RECOMMENDED SPARE PARTS.
- 2. GREASE RAM, CAM, CAM FOLLOWER AND FEED ROD LIGHTLY.
- CERTAIN TERMINALS REQUIRE LUBRICATION. REFER TO THE APPLICATOR INSTRUCTION SHEET FOR MORE INFORMATION.
- 4. LUBRICATE DAILY PER THE APPLICATOR INSTRUCTION SHEET SUPPLIED WITH THE APPLICATOR.
- ASSEMBLE INSULATION CRIMPER ITEM 3 CRIMP PROFILE WITH RADIUS TOWARDS THE RAM.
- REFER TO DEUTSCH DRAWING 0425-203-0000 FOR CRIMP HEIGHT TOLERANCES.
- INSULATION CRIMP MAY NOT CONFORM TO THAT STATED IN RELEVANT APPLICATION SPECIFICATION.

\* WARNING  
ON INSTALLATION, SET WIRE DISC TO LARGEST WIRE SIZE SETTING. USE OF SETTINGS BELOW MIN. REQUIRED CRIMP HEIGHT SETTING WILL CAUSE DAMAGE TO CRIMP TOOLING.

VIEW B ROTATED 180°



PART NO	DESCRIPTION	ITEM NO
-77 -76 -72 -71 -6 -2 -1	SPACER, CRIMPER	84
-	-	83
-	-	81
-	-	80
-	-	79
-	-	78
-	-	77
-	-	76
-	-	75
-	-	74
-77 -76 -72 -71 -6 -2 -1	PART NO	DESCRIPTION
-	-	ITEM NO



LOC	DIST	REV	DESCRIPTION	DATE	DWN	APPD
A	66	A	SEE ECO-06-002712	07FEB2006	LJL	MC

REV	DESCRIPTION	ITEM NO
-	1490525-1	DEPRESSOR, WIRE
-	-	72
-	1338705-3	DOCUMENTATION PACKAGE
-	2-23147-2	SPRING, COMPRESSION
-	1490524-2	DEPRESSOR, SPACER
-	-	69
-	461264-5	PLATE, IDENTIFICATION
-	21017-2	SCREW, DRIVE
-	1424350-1	HOLDER, PIN
-	-	65
-	3-18031-0	SCR, SET, CUP POINT M6 X 6.0
-	-	62
-	2-18032-5	SCR, SET, FLT POINT M5 X 20.0
-	18024-7	SCR, BTN SKT HD CAP (M4 X 10.0)
-	5-18022-2	SCR, HEX HD CAP M4 X 8.0
-	-	59
-	-	58
-	-	57
-	1338685-1	PAWL, FEED
-	-	56
-	18024-8	SCR, BTN SKT HD CAP (M4 X 12.0)
-	9-18023-6	SCR, SKT HD CAP M4 X 14.0
-	18030-1	NUT, HEX, REG M3
-	811242-5	BUMPER, HOLD DOWN
-	690753-2	SPACER, TONKER
-	18024-3	SCR, BTN SKT HD CAP (M3 X 10.0)
-	1338675-1	CAM, UNIVERSAL PRE FEED
-	1338676-1	CAM, UNIVERSAL POST-FEED
-	1320999-3	APPLICATOR SUBASSEMBLY, HDI
-	690191-1	PLUG, NYLON
-	1338660-1	RAM
-	-	44
-	-	43
-	-	42
-	2-18024-6	SCR, BTN SKT HD CAP (M8 X 25.0)
-	-	41
-	690125-1	SHIM SUB-ASSY
-	1-469367-2	SHIM
-	879103-2	DISC, ADJUSTABLE GEITNER
-	-	37
-	-	36
-	-	35
-	1320934-6	SUPPORT, TERMINAL
-	1-18024-0	SCR, BTN SKT HD CAP (M4 X 20.0)
-	18027-2	WASHER, FLAT, REG M4
-	1-18023-2	SCR, SKT HD CAP M4 X 12.0
-	1320908-1	SPACER, STRIP GUIDE
-	1633073-1	STRIP GUIDE ASSEMBLY
-	1-455888-0	SPACER, CRIMPER
-	1-22284-0	SPRING, COMPRESSION
-	356835-1	LEVER, DRAG RELEASE
-	240792-1	DRAG, TERMINAL
-	1320928-1	PLATE, STRIP GUIDE
-	980371-4	SCR, SKT HD SHLDR 5.0 DIA X 6.0
-	690472-2	STRIPPER
-	1-18023-1	SCR, SKT HD CAP M4 X 10.0
-	18025-2	WASHER, SPRG LOCK, REG M4
-	1-1338987-8	STRIPPER
-	-	21
-	1338684-1	HOLDER, SHEAR, NO-CUT
-	-	17
-	-	16
-	-	15
-	-	14
-	-	13
-	3-22280-3	SPRING, COMPRESSION
-	356885-4	STOP, SHEAR
-	1320921-1	SHEAR HOLDER, FRONT, CUT
-	462006-7	FLOATING SHEAR, FRONT
-	1633138-6	ANVIL, COMBINATION
-	5-240641-4	SPACER
-	-	7
-	-	6
-	4-455889-1	DEPRESSOR, SHEAR
-	1-238011-0	BLOCK, CRIMPER SPACER
-	1333288-1	CRIMPER, INSUL O SPECIAL
-	-	3
-	-	2
-	1333281-5	CRIMPER, WIRE PREMIUM
-	-	1

REV	DESCRIPTION	ITEM NO
-77 -76 -72 -71 -6 -2 -1	PART NO	DESCRIPTION
-	-	ITEM NO