



Chipsmall Limited consists of a professional team with an average of over 10 year of expertise in the distribution of electronic components. Based in Hongkong, we have already established firm and mutual-benefit business relationships with customers from,Europe,America and south Asia,supplying obsolete and hard-to-find components to meet their specific needs.

With the principle of “Quality Parts,Customers Priority,Honest Operation,and Considerate Service”,our business mainly focus on the distribution of electronic components. Line cards we deal with include Microchip,ALPS,ROHM,Xilinx,Pulse,ON,Everlight and Freescale. Main products comprise IC,Modules,Potentiometer,IC Socket,Relay,Connector.Our parts cover such applications as commercial,industrial, and automotives areas.

We are looking forward to setting up business relationship with you and hope to provide you with the best service and solution. Let us make a better world for our industry!



Contact us

Tel: +86-755-8981 8866 Fax: +86-755-8427 6832

Email & Skype: info@chipsmall.com Web: www.chipsmall.com

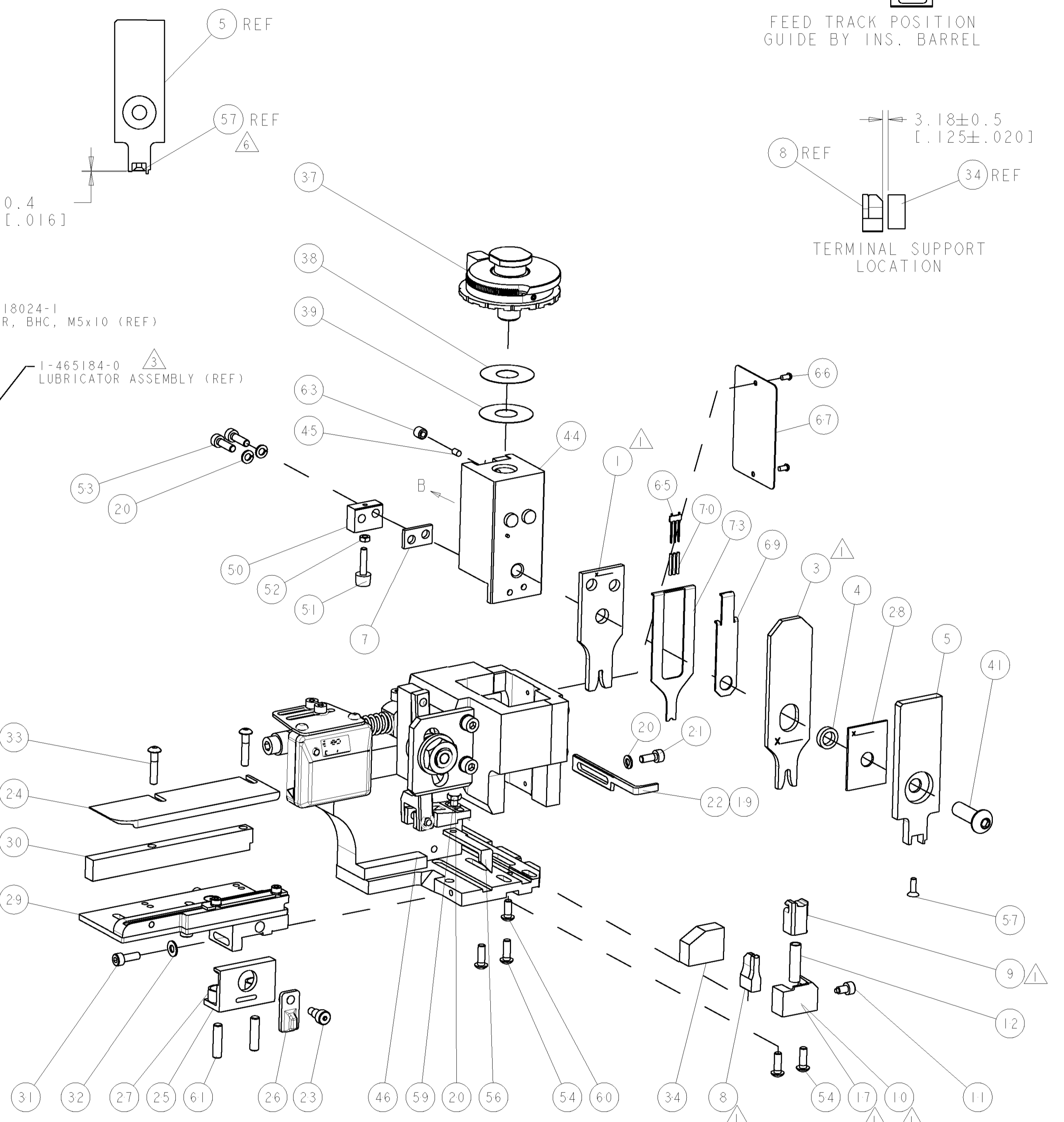
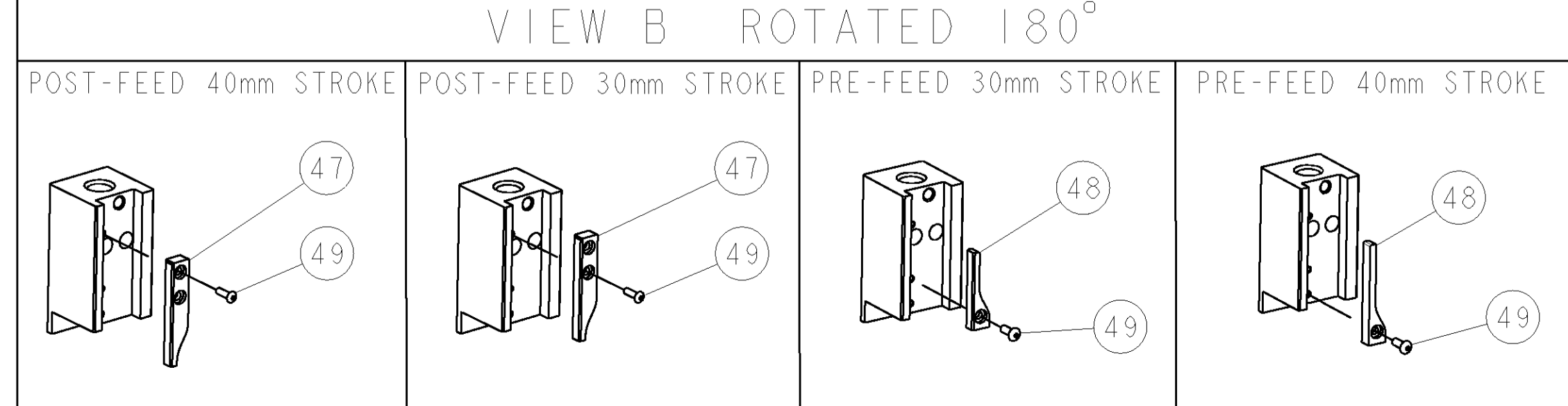
Address: A1208, Overseas Decoration Building, #122 Zhenhua RD., Futian, Shenzhen, China



| PART NUMBER | REV | TERMINATOR | FEED TYPE | DESCRIPTION |
|-------------|-----|------------|----------------|--------------------|
| 1528748-1 | A | LEADMAKER | MECH POST FEED | CUTS CARRIER |
| 1528748-2 | A | BENCH | MECH PRE FEED | CUTS CARRIER |
| 1528748-6 | A | LEADMAKER | MECH POST FEED | CONTINUOUS CARRIER |
| 7-1528748-1 | A | LEADMAKER | MECH POST FEED | -1 AND SPARE PARTS |
| 7-1528748-2 | A | BENCH | MECH PRE FEED | -2 AND SPARE PARTS |
| 7-1528748-6 | A | LEADMAKER | MECH POST FEED | -6 AND SPARE PARTS |
| 7-1528748-7 | A | - | - | SPARE PARTS KIT |

| CRIMP DATA | LEAR/GHW TERMINAL | TYCO CRIMP SPECS |
|--|-------------------------------|--|
| TERMINAL NAME: 1.6mm CONTACT, RECEPTACLE, SEALED | | |
| CRIMP | SIZE | TYPE |
| WIRE | 2.29 [1.090 IN] | F |
| INSUL | 3.56 [1.40 IN] | O |
| WIRE STRIP LENGTH 3.90-4.70 [1.54-.185 IN] | | APPL INSTRUCTIONS 408-8322 & 408-8490 |
| TERMINAL APPL SPEC | | FEED [2.70 [1.500 IN]] |
| TERMINALS APPLIED | | |
| TYCO TERM PN | MANUF TERM PN | TYCO SEAL PN |
| 1949227-1 | 26037.201.179 | 1949110-1 |
| - | - | 1949230-1 |
| - | - | 964972-1 |
| WIRE SIZE | CRIMP HEIGHT | REF SETTING |
| 1.50mm ² | 1.53 ± 0.05 [1.060 ± .002 IN] | B7 |
| 1.00mm ² | 1.35 ± 0.05 [1.053 ± .002 IN] | C9 |
| 0.75mm ² | 1.25 ± 0.05 [1.049 ± .002 IN] | D7 |

- RECOMMENDED SPARE PARTS.
- GREASE RAM, CAM, CAM FOLLOWER AND FEED ROD LIGHTLY.
- CERTAIN TERMINALS REQUIRE LUBRICATION. REFER TO THE APPLICATOR INSTRUCTION SHEET FOR MORE INFORMATION.
- LUBRICATE DAILY PER THE APPLICATOR INSTRUCTION SHEET SUPPLIED WITH THE APPLICATOR.
- THIS APPLICATOR APPLIES TERMINAL WITH A SEAL. INSULATION DIA QUOTED IS OUTSIDE DIAMETER OF SEAL - [O/D OF TYCO SEAL 964972-1 IS 2.6MM] WIRE INSULATION DIA IS DEPENDENT ON SEAL BEING APPLIED. SEAL PN 1949110-1 INS. DIA RANGE IS 1.70-2.10 [1.067-.083 IN] PN 1949230-1 INS. DIA RANGE IS 1.90-2.50 [1.075-.098 IN]. SEAL PN 964972-1 INS DIA RANGE IS 1.9 - 2.1MM.
- APPLY TORQ-SEAL IN ALLEN SOCKET TO FILL HOLE AFTER FLAT HD HAS BEEN ADJUSTED TO CORRECT HEIGHT AT QUALIFICATION. APPLY #1-23419-5 LOC-TITE TO THREADS.
- EQUIVALENT SCHLEMMER GMBH PN IS 7814046.
- CRIMP DATA CALCULATED BY TYCO ELECTRONICS U.K. LTD.



* WARNING
ON INSTALLATION, SET WIRE DISC TO LARGEST WIRE SIZE SETTING. USE OF SETTINGS BELOW MIN. REQUIRED CRIMP HEIGHT SETTING WILL CAUSE DAMAGE TO CRIMP TOOLING.

| 77 | 76 | 72 | 71 | 6 | 2 | 1 | PART NO | DESCRIPTION | ITEM NO |
|----|----|----|----|---|---|---|---------|-------------|---------|
| - | - | - | - | - | - | - | - | - | 84 |
| - | - | - | - | - | - | - | - | - | 83 |
| - | - | - | - | - | - | - | - | - | 82 |
| - | - | - | - | - | - | - | - | - | 81 |
| - | - | - | - | - | - | - | - | - | 80 |
| - | - | - | - | - | - | - | - | - | 79 |
| - | - | - | - | - | - | - | - | - | 78 |
| - | - | - | - | - | - | - | - | - | 77 |
| - | - | - | - | - | - | - | - | - | 76 |
| - | - | - | - | - | - | - | - | - | 75 |
| - | - | - | - | - | - | - | - | - | 74 |

| SET UP GAGE 458637-3 | | LOC | DIST | REVISIONS | | | |
|----------------------|----|-----|------|-----------|-------------------|-----------|-------|
| A | 66 | | | REV | DATE | BY | APPD |
| | | | | A | SEE ECO-07-001305 | 17JAN2007 | DP MC |

| QTY | REV | DESCRIPTION | DATE | BY | APPD |
|-----|-----|-------------|---------------------------------|----|------|
| - | - | 1490525-1 | DEPRESSOR, WIRE | | 73 |
| - | - | - | - | | 72 |
| - | - | 1338705-3 | DOCUMENTATION PACKAGE | | 71 |
| - | 3 | 1-23147-4 | SPRING, COMPRESSION | | 70 |
| - | - | 1490524-2 | DEPRESSOR, SPACER | | 69 |
| - | - | - | - | | 68 |
| - | - | 461264-5 | PLATE, IDENTIFICATION | | 67 |
| - | 2 | 21017-2 | SCREW, DRIVE | | 66 |
| - | - | 1424350-1 | HOLDER, PIN, WIRED | | 65 |
| - | - | - | - | | 64 |
| - | - | 3-18031-0 | SCR, SET, CUP POINT M6 X 6.0 | | 63 |
| - | - | - | - | | 62 |
| - | 2 | 2-18032-5 | SCR, SET, FLT POINT M5 X 20.0 | | 61 |
| - | - | 18024-7 | SCR, BTN SKT HD CAP (M4 X 10.0) | | 60 |
| - | - | 5-18022-2 | SCR, HEX HD CAP M4 X 8.0 | | 59 |
| - | - | - | - | | 58 |
| - | - | 985575-3 | SCR, FLT SKT HD CAP M3 X 10.0 | | 57 |
| - | - | 1338685-1 | PAWL, FEED | | 56 |
| - | - | - | - | | 55 |
| - | 4 | 18024-8 | SCR, BTN SKT HD CAP (M4 X 12.0) | | 54 |
| - | 2 | 9-18023-6 | SCR, SKT HD CAP M4 X 14.0 | | 53 |
| - | - | 18030-1 | NUT, HEX, REG M3 | | 52 |
| - | - | 811242-5 | BUMPER, HOLD DOWN | | 51 |
| - | - | 690753-2 | SPACER, TONKER | | 50 |
| - | - | 18024-3 | SCR, BTN SKT HD CAP (M3 X 10.0) | | 49 |
| - | - | 1338675-1 | CAM, UNIVERSAL PRE FEED | | 48 |
| - | - | 1338676-1 | CAM, UNIVERSAL POST-FEED | | 47 |
| - | - | 1320999-3 | APPLICATOR SUBASSEMBLY, HDI | | 46 |
| - | - | 690191-1 | PLUG, NYLON | | 45 |
| - | - | 1338660-1 | RAM | | 44 |
| - | - | - | - | | 43 |
| - | - | - | - | | 42 |
| - | - | 2-18024-6 | SCR, BTN SKT HD CAP (M8 X 25.0) | | 41 |
| - | - | - | - | | 40 |
| - | - | 690125-1 | SHIM SUB-ASSY | | 39 |
| - | - | 469367-1 | SHIM | | 38 |
| - | - | 879103-2 | FINE ADJUST HEAD ASSEMBLY | | 37 |
| - | - | - | - | | 36 |
| - | - | - | - | | 35 |
| - | - | 1320934-1 | SUPPORT, TERMINAL | | 34 |
| - | 2 | 1-18024-0 | SCR, BTN SKT HD CAP (M4 X 20.0) | | 33 |
| - | - | 18027-2 | WASHER, FLAT, REG M4 | | 32 |
| - | - | 1-18023-2 | SCR, SKT HD CAP M4 X 12.0 | | 31 |
| - | - | 1320908-1 | SPACER, STRIP GUIDE | | 30 |
| - | - | 1633073-2 | STRIP GUIDE ASSEMBLY | | 29 |
| - | - | 1-455888-0 | SPACER, CRIMPER | | 28 |
| - | 2 | 1-22284-0 | SPRING, COMPRESSION | | 27 |
| - | - | 356835-1 | LEVER, DRAG RELEASE | | 26 |
| - | - | 240792-1 | DRAG, TERMINAL | | 25 |
| - | - | 1320928-1 | PLATE, STRIP GUIDE | | 24 |
| - | - | 980371-4 | SCR, SKT HD SHLDR 5.0 DIA X 6.0 | | 23 |
| - | - | 690472-2 | STRIPPER | | 22 |
| - | - | 1-18023-1 | SCR, SKT HD CAP M4 X 10.0 | | 21 |
| - | 4 | 18025-2 | WASHER, SPRG LOCK, REG M4 | | 20 |
| - | - | 690472-1 | STRIPPER | | 19 |
| - | - | - | - | | 18 |
| - | - | 1338684-2 | SHEAR HOLDER, FRONT | | 17 |
| - | - | - | - | | 16 |
| - | - | - | - | | 15 |
| - | - | - | - | | 14 |
| - | - | - | - | | 13 |
| - | - | 3-22280-3 | SPRING, COMPRESSION | | 12 |
| - | - | 356885-5 | STOP, SHEAR | | 11 |
| - | - | 1-1320921-0 | SHEAR HOLDER, FRONT, CUT | | 10 |
| - | - | 318707-1 | FLOATING SHEAR, FRONT | | 9 |
| - | 1 | 1-1633132-5 | ANVIL, COMBINATION .090 | | 8 |
| - | - | 240641-9 | SPACER | | 7 |
| - | - | - | - | | 6 |
| - | - | 1338680-1 | DEPRESSOR, SHEAR | | 5 |
| - | - | 238011-2 | BLOCK, CRIMPER SPACER | | 4 |
| - | 1 | 456135-6 | CRIMPER, INSULATION O PREMIUM | | 3 |
| - | - | - | - | | 2 |
| - | 1 | 2-456406-2 | CRIMPER, WIRE PREMIUM | | 1 |

| 77 | 76 | 72 | 71 | 6 | 2 | 1 | PART NO | DESCRIPTION | ITEM NO |
|----|----|----|----|---|---|---|---------|-------------|---------|
| - | - | - | - | - | - | - | - | - | 84 |
| - | - | - | - | - | - | - | - | - | 83 |
| - | - | - | - | - | - | - | - | - | 82 |
| - | - | - | - | - | - | - | - | - | 81 |
| - | - | - | - | - | - | - | - | - | 80 |
| - | - | - | - | - | - | - | - | - | 79 |
| - | - | - | - | - | - | - | - | - | 78 |
| - | - | - | - | - | - | - | - | - | 77 |
| - | - | - | - | - | - | - | - | - | 76 |
| - | - | - | - | - | - | - | - | - | 75 |
| - | - | - | - | - | - | - | - | - | 74 |

| QTY | REV | DESCRIPTION | DATE | BY | APPD |
|-----|-----|-------------|--------------|----|------|
| 1 | 1 | 19DEC2006 | JL LOFTHOUSE | | |
| 1 | 1 | 19DEC2006 | M CLIFFORD | | |

| DIMENSIONS: | | TOLERANCES UNLESS OTHERWISE SPECIFIED: | |
|-------------|--|--|---|
| mm [IN] | | 0 PLC | ± |
| | | 1 PLC | ± |
| | | 2 PLC | ± |
| | | 3 PLC | ± |
| | | 4 PLC | ± |
| | | ANGLES | ± |

| MATERIAL | FINISH | WEIGHT | SCALE | SHEET | OF | REV |
|----------|--------|--------|-------|-------|----|-----|
| - | - | - | 3:5 | 1 | 1 | A |

| TYCO ELECTRONICS | Product Name | Part No | Revision |
|------------------|--------------------------------------|---------|----------|
| tyco Electronics | FINE ADJUST SIDE FEED HDI APPLICATOR | 00779 | 1528748 |