



Chipsmall Limited consists of a professional team with an average of over 10 year of expertise in the distribution of electronic components. Based in Hongkong, we have already established firm and mutual-benefit business relationships with customers from,Europe,America and south Asia,supplying obsolete and hard-to-find components to meet their specific needs.

With the principle of “Quality Parts,Customers Priority,Honest Operation,and Considerate Service”,our business mainly focus on the distribution of electronic components. Line cards we deal with include Microchip,ALPS,ROHM,Xilinx,Pulse,ON,Everlight and Freescale. Main products comprise IC,Modules,Potentiometer,IC Socket,Relay,Connector.Our parts cover such applications as commercial,industrial, and automotives areas.

We are looking forward to setting up business relationship with you and hope to provide you with the best service and solution. Let us make a better world for our industry!



## Contact us

Tel: +86-755-8981 8866 Fax: +86-755-8427 6832

Email & Skype: info@chipsmall.com Web: www.chipsmall.com

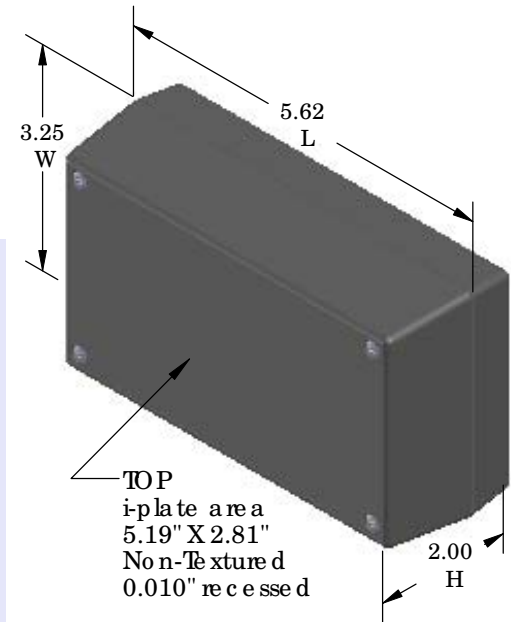
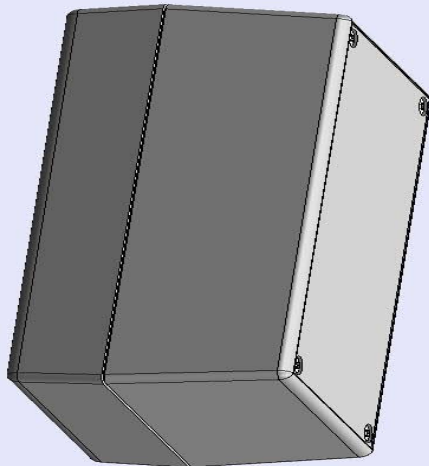
Address: A1208, Overseas Decoration Building, #122 Zhenhua RD., Futian, Shenzhen, China



# SERPAC 152Ri (3D exploded)

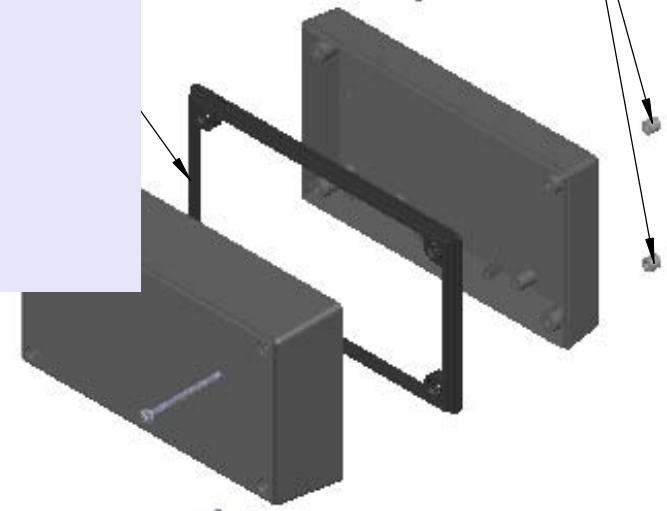
Electronic Enclosures

-Click on image to show toolbar. Use  to Play/Pause Animation.  
-Left click and drag on image to move 3D model.



Threaded inserts only have to be assembled the first time.

Perimeter proofing gasket PS15 optional see note #2



- a) Zoom in & out with center wheel.
- b) Pause at any moment to view and or print views.
- c) Change the views to ortho and section views if needed from the Views pull down menu.
- d) Explore options included in the tool bar like: Views, Transparency of model, Lighting type, etc.

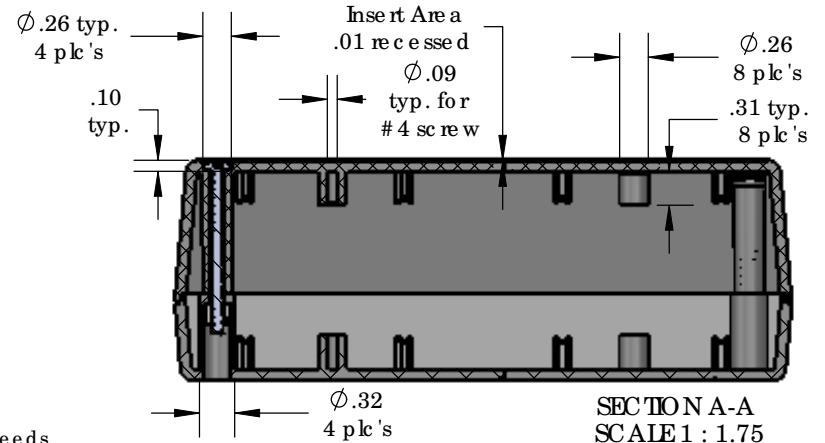
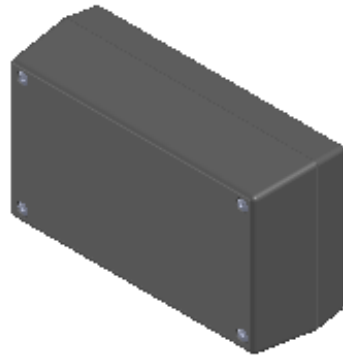
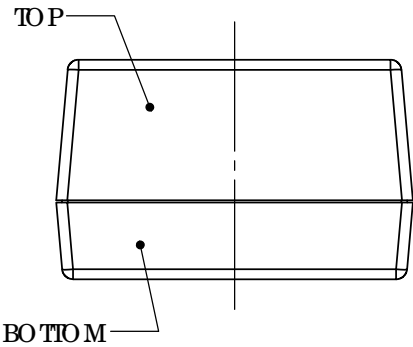
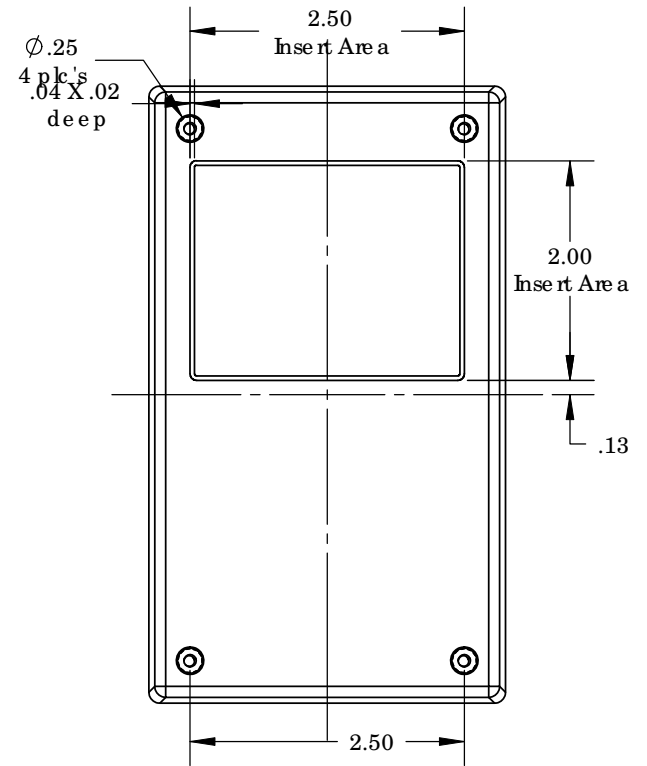
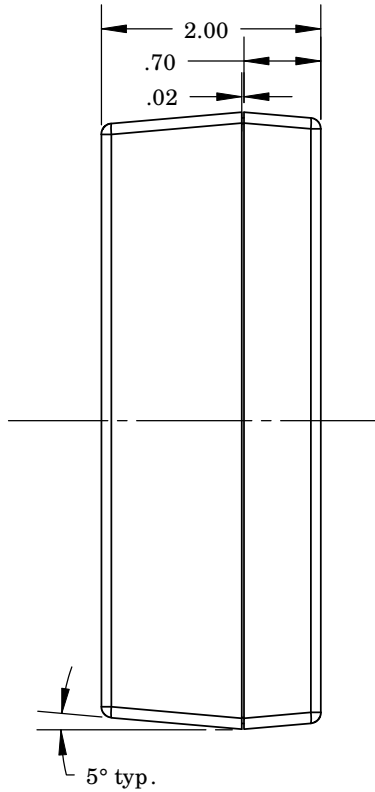
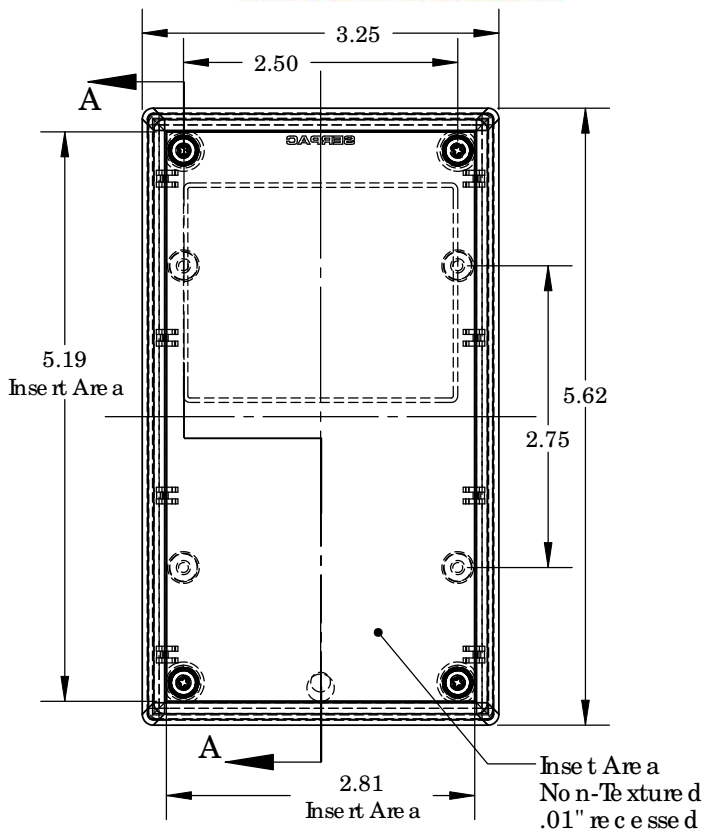
PART NO.	DESCRIPTION (Included)	ACCESSORIES (Optional)	
5-2Ri	TOP	PART NO.	DESCRIPTION
15	BOTTOM	PS 15	Perimeter Seal
6018	4-40 SCREW (4)	350	Prototype Grid Circuit Board
6102	THREADED INSERTS (4)	450	Prototype Clad Circuit Board

Notes: Enclosure weight .28 lbs/ 125 gm  
 1) Enclosure meets or exceeds IP40 and NEMA 1  
 2) When used with PS15 the enclosure meets or exceeds IP 67 and NEMA 4X, 12 and 13 MIL-SID-810G 506.5  
 3) Circuit Board drawings can be downloaded at:  
<http://www.seprac.com/Accessories/CircuitBoard/drawings/350-450-cbg.pdf>  
 4) All components are RoHS Compliant.

ALL DIMENSIONS ARE ±.010" 7/29/10 (1 of 2)  
 2009 Wright Ave. La Verne, CA 91750  
 Ph. (626) 331-0517 Ex. (626) 331-8584 serpac.com

# SERPAC 152Ri (user print)

Electronic Enclosures



PART NO.	DESCRIPTION (Included)	ACCESSORIES (Optional)	
5-2Ri	TOP	PART NO.	DESCRIPTION
15	BOTTOM	PS 15	Perimeter Seal
6018	4-40 SCREW (4)	350	Prototype Grid Circuit Board
6102	THREADED INSERTS (4)	450	Prototype Clad Circuit Board

- Notes: Enclosure weight .28 lbs/ 125 gm
- 1) Enclosure meets or exceeds IP40 and NEMA 1
  - 2) When used with PS15 the enclosure meets or exceeds IP 67 and NEMA 4X, 12 and 13 MIL-SID-810G 506.5
  - 3) Circuit Board drawings can be downloaded at: <http://www.serpac.com/Accessories/CircuitBoard/drawings/350-450-cbg.pdf>
  - 4) All components are RoHS Compliant.