



Chipsmall Limited consists of a professional team with an average of over 10 year of expertise in the distribution of electronic components. Based in Hongkong, we have already established firm and mutual-benefit business relationships with customers from,Europe,America and south Asia,supplying obsolete and hard-to-find components to meet their specific needs.

With the principle of "Quality Parts,Customers Priority,Honest Operation,and Considerate Service",our business mainly focus on the distribution of electronic components. Line cards we deal with include Microchip,ALPS,ROHM,Xilinx,Pulse,ON,Everlight and Freescale. Main products comprise IC,Modules,Potentiometer,IC Socket,Relay,Connector.Our parts cover such applications as commercial,industrial, and automotives areas.

We are looking forward to setting up business relationship with you and hope to provide you with the best service and solution. Let us make a better world for our industry!



Contact us

Tel: +86-755-8981 8866 Fax: +86-755-8427 6832

Email & Skype: info@chipsmall.com Web: www.chipsmall.com

Address: A1208, Overseas Decoration Building, #122 Zhenhua RD., Futian, Shenzhen, China





PB Series - Push Button

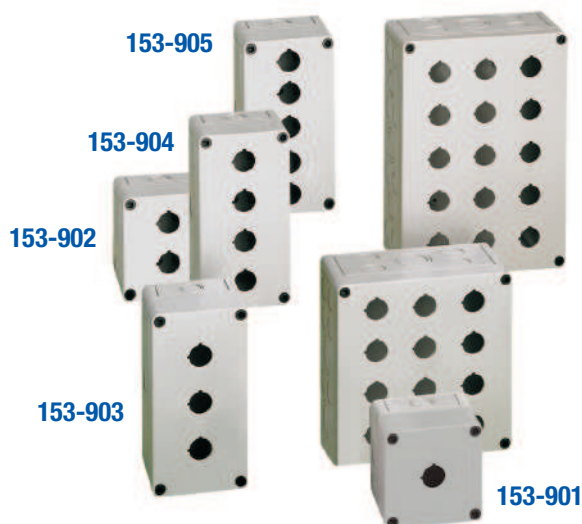
The PB Series features modern, rugged enclosures made of glass fiber reinforced Polycarbonate, designed to protect and insulate 22.5 mm push buttons in dusty, corrosive and wet environments. Five different standard enclosures have pre-drilled mounting holes for up to five switches. Custom enclosures are available in different sizes and hole patterns to suit your specific application. Call Altech for further information.

- Universal fit for nearly all 22.5mm dia. push buttons
- Compatible with the EK and TK Enclosure Series
- Customization services available - design and quantity considerations may apply
- Proven technology with modern design
- Black cover screws are standard with all models
- IP66 / Nema 4X
- UV, weather and impact resistant

Standard Features

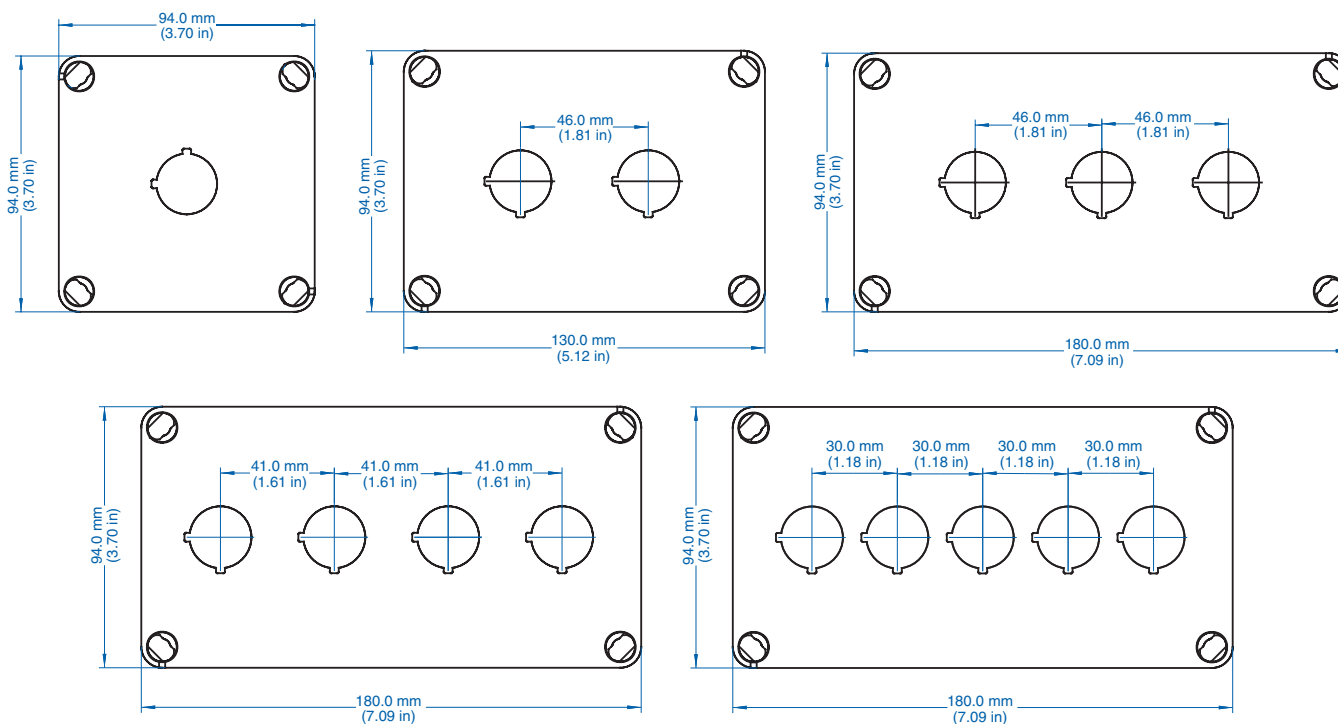
- **Protection Level:** IP66*
- **Technical:** M16/20 Knockout Sidewalls¹
22.5 mm Diameter Push Button Holes
- **UL Recognized**
- **Enclosure Material:** Polycarbonate
- **Material**
- **Temperature Range:** -40°C to 120°C (-40°F to 248°F)
- **Gasket Material:** Polyurethane
- **Color:** Light Gray
- **Accessories:** See section below

* IP66 when suitable installation devices are used.



PB

Ordering Information	Cat. No.	Type	Length	Dimensions mm (in)		Std. Pk.
				Width	Height	
One Button Enclosure	153-901	PB1-L	94 mm (3.70 in)	94 mm (3.70 in)	81 mm (3.19 in)	1
Two Button Enclosure	153-902	PB2-L	130 mm (5.12 in)	94 mm (3.70 in)	81 mm (3.19 in)	1
Three Button Enclosure	153-903	PB3-L	180 mm (7.09 in)	94 mm (3.70 in)	81 mm (3.19 in)	1
Four Button Enclosure	153-904	PB4-L	180 mm (7.09 in)	94 mm (3.70 in)	81 mm (3.19 in)	1
Five Button Enclosure	153-905	PB5-L	180 mm (7.09 in)	94 mm (3.70 in)	81 mm (3.19 in)	1



¹ Consult Altech for knockout location and quantity.