



Chipsmall Limited consists of a professional team with an average of over 10 year of expertise in the distribution of electronic components. Based in Hongkong, we have already established firm and mutual-benefit business relationships with customers from,Europe,America and south Asia,supplying obsolete and hard-to-find components to meet their specific needs.

With the principle of "Quality Parts,Customers Priority,Honest Operation,and Considerate Service",our business mainly focus on the distribution of electronic components. Line cards we deal with include Microchip,ALPS,ROHM,Xilinx,Pulse,ON,Everlight and Freescale. Main products comprise IC,Modules,Potentiometer,IC Socket,Relay,Connector.Our parts cover such applications as commercial,industrial, and automotives areas.

We are looking forward to setting up business relationship with you and hope to provide you with the best service and solution. Let us make a better world for our industry!



Contact us

Tel: +86-755-8981 8866 Fax: +86-755-8427 6832

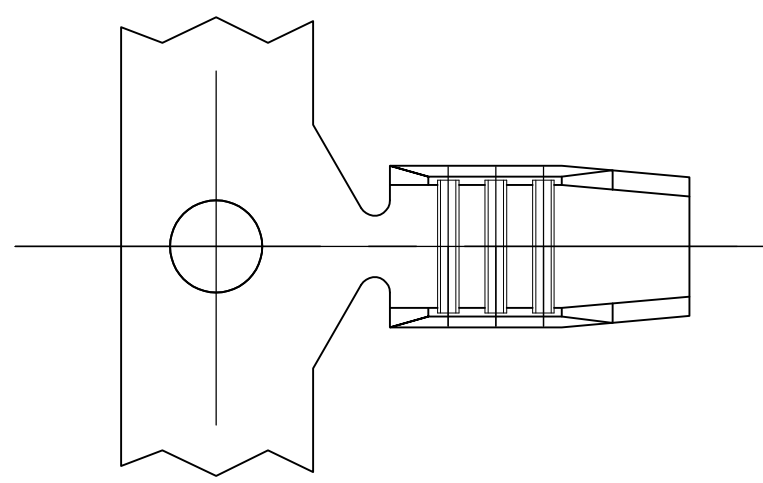
Email & Skype: info@chipsmall.com Web: www.chipsmall.com

Address: A1208, Overseas Decoration Building, #122 Zhenhua RD., Futian, Shenzhen, China

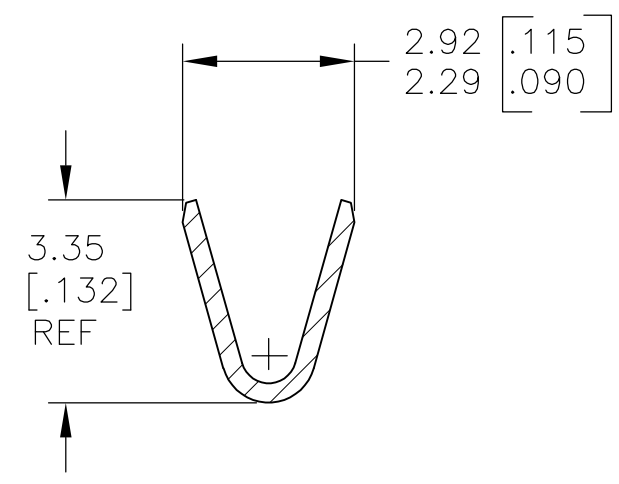
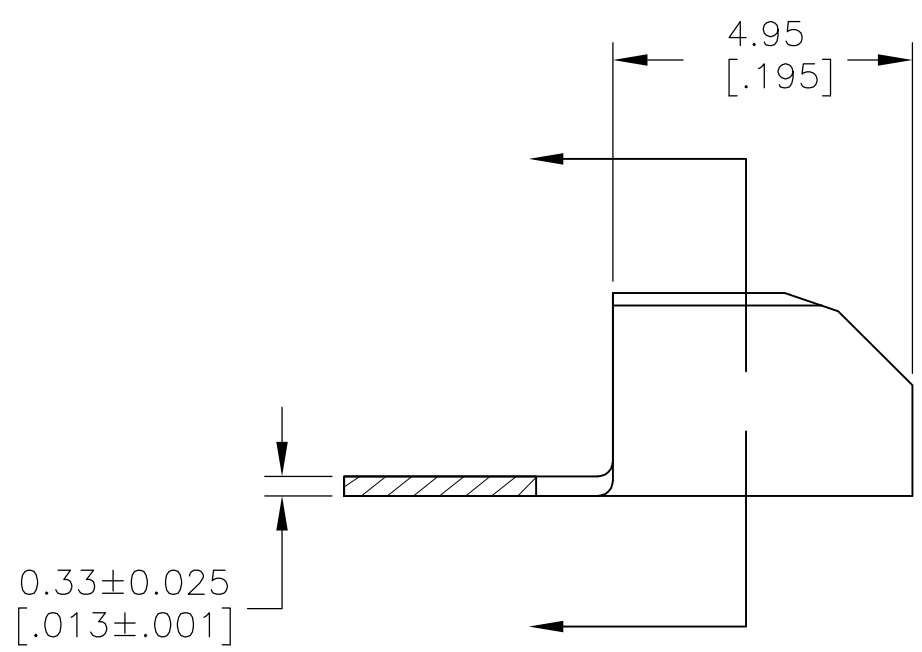


THIS DRAWING IS UNPUBLISHED. RELEASED FOR PUBLICATION
 © COPYRIGHT - By - ALL RIGHTS RESERVED.

LOC	DIST	REVISIONS					
		P	LTR	DESCRIPTION	DATE	DWN	APVD
AF	50		D3	REDRAWN IN CAD PER ECR 12-010329	15JUN12	JR	LL



- 1 WIRE RANGE - TINNED LEAD WIRE 255-1855 CMA, COPPER LEAD WIRE 1250-1850 CMA.
- 2 APPLICABLE WIRE SIZES 26-18 AWG STRANDED WITH 40-26 AWG COPPER MAGNET.
- 3 PRE-STRIPPING OF THE MAGNET WIRE IS NOT REQUIRED.
- △ 4 REVERSE REELING, ALL REELING HAS THE BARREL U-ING DOWN.



△ 4	REVERSE	TIN PLATE	153212-2	153212-4
△ 4	REVERSE	NONE	153212-1	153212-3
	STANDARD	TIN PLATE	082 BRASS	153212-2
	STANDARD	NONE	082 BRASS	153212-1
	REELING	FINISH	MATERIAL	PART NO.

THIS DRAWING IS A CONTROLLED DOCUMENT.		DWN jr_ruth 01JUN12	STE TE Connectivity													
DIMENSIONS: MM [INCHES]		CHK LYONS LI 01JUN12														
TOLERANCES UNLESS OTHERWISE SPECIFIED:		APVD KURT RANDOLPH 01JUN12	NAME SPLICE, AMPLIVAR, MINIATURE,													
<table border="0"> <tr><td>0 PLC</td><td>± -</td></tr> <tr><td>1 PLC</td><td>± -</td></tr> <tr><td>2 PLC</td><td>± 0.25 [010]</td></tr> <tr><td>3 PLC</td><td>± -</td></tr> <tr><td>4 PLC</td><td>± -</td></tr> <tr><td>ANGLES</td><td>± -</td></tr> </table>		0 PLC	± -	1 PLC	± -	2 PLC	± 0.25 [010]	3 PLC	± -	4 PLC	± -	ANGLES	± -	PRODUCT SPEC -	-	
0 PLC	± -															
1 PLC	± -															
2 PLC	± 0.25 [010]															
3 PLC	± -															
4 PLC	± -															
ANGLES	± -															
MATERIAL SEE TABLE		APPLICATION SPEC -	SIZE A3	CAGE CODE 00779	DRAWING NO C-153212	RESTRICTED TO -										
FINISH SEE TABLE		WEIGHT -	CUSTOMER DRAWING		SCALE 8:1	SHEET 1 OF 1	REV D3									