



Chipsmall Limited consists of a professional team with an average of over 10 year of expertise in the distribution of electronic components. Based in Hongkong, we have already established firm and mutual-benefit business relationships with customers from,Europe,America and south Asia,supplying obsolete and hard-to-find components to meet their specific needs.

With the principle of “Quality Parts,Customers Priority,Honest Operation,and Considerate Service”,our business mainly focus on the distribution of electronic components. Line cards we deal with include Microchip,ALPS,ROHM,Xilinx,Pulse,ON,Everlight and Freescale. Main products comprise IC,Modules,Potentiometer,IC Socket,Relay,Connector.Our parts cover such applications as commercial,industrial, and automotives areas.

We are looking forward to setting up business relationship with you and hope to provide you with the best service and solution. Let us make a better world for our industry!



Contact us

Tel: +86-755-8981 8866 Fax: +86-755-8427 6832

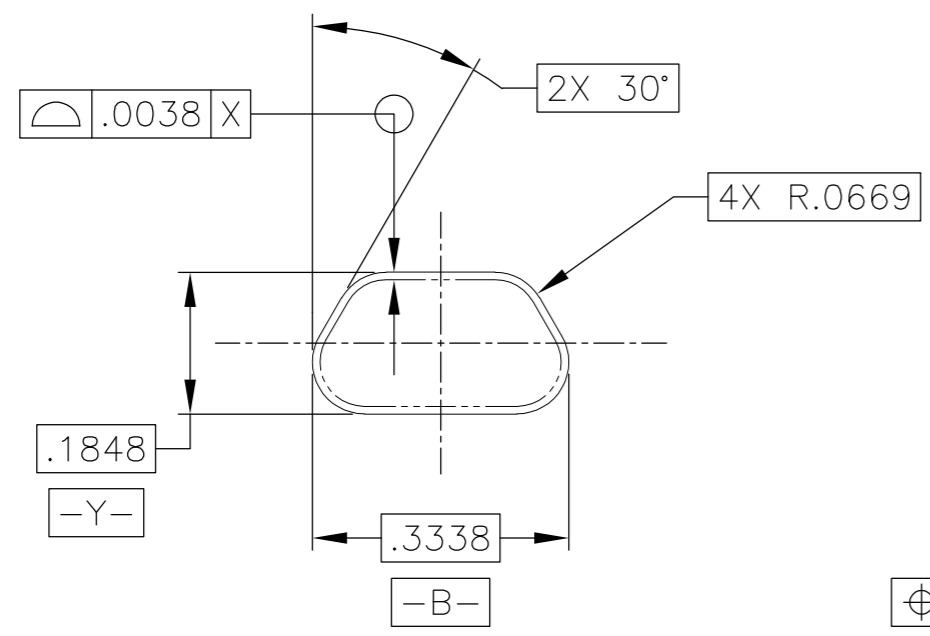
Email & Skype: info@chipsmall.com Web: www.chipsmall.com

Address: A1208, Overseas Decoration Building, #122 Zhenhua RD., Futian, Shenzhen, China

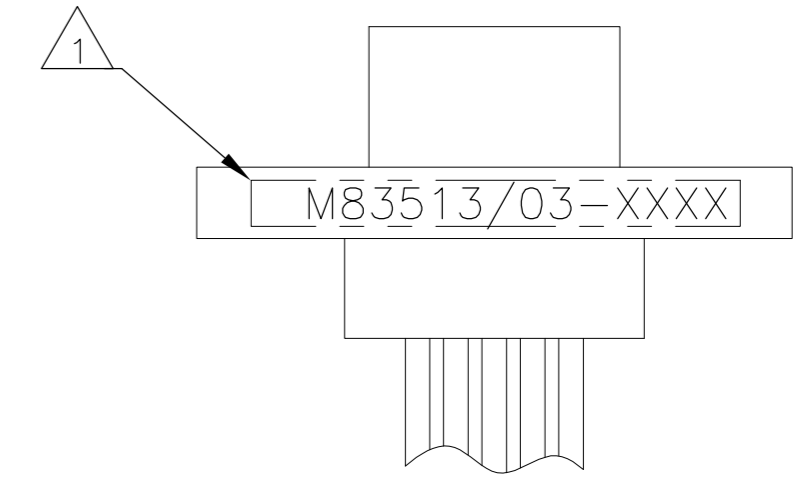
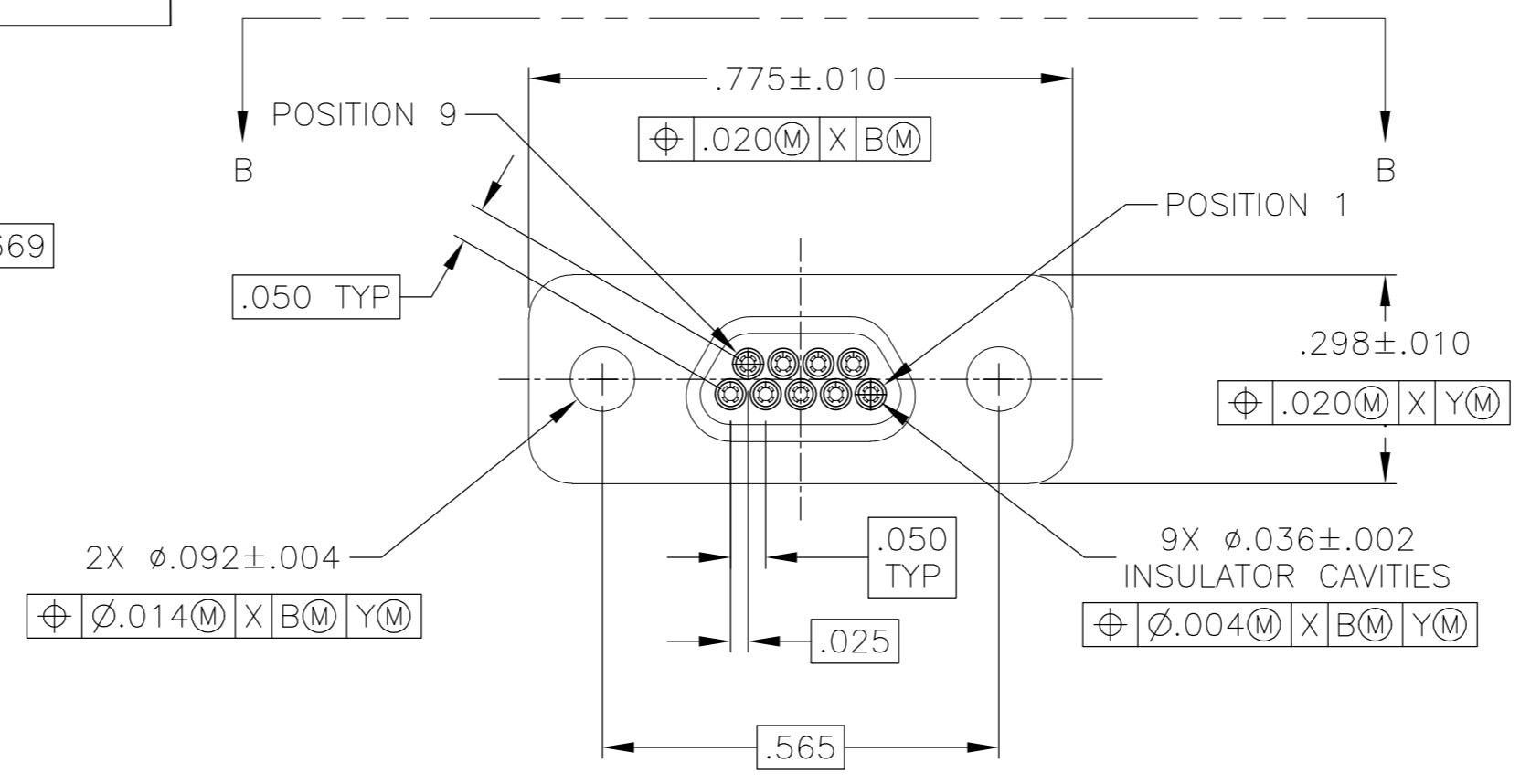


THIS DRAWING IS UNPUBLISHED. RELEASED FOR PUBLICATION
 © COPYRIGHT BY TYCO ELECTRONICS CORPORATION. ALL INTERNATIONAL RIGHTS RESERVED.

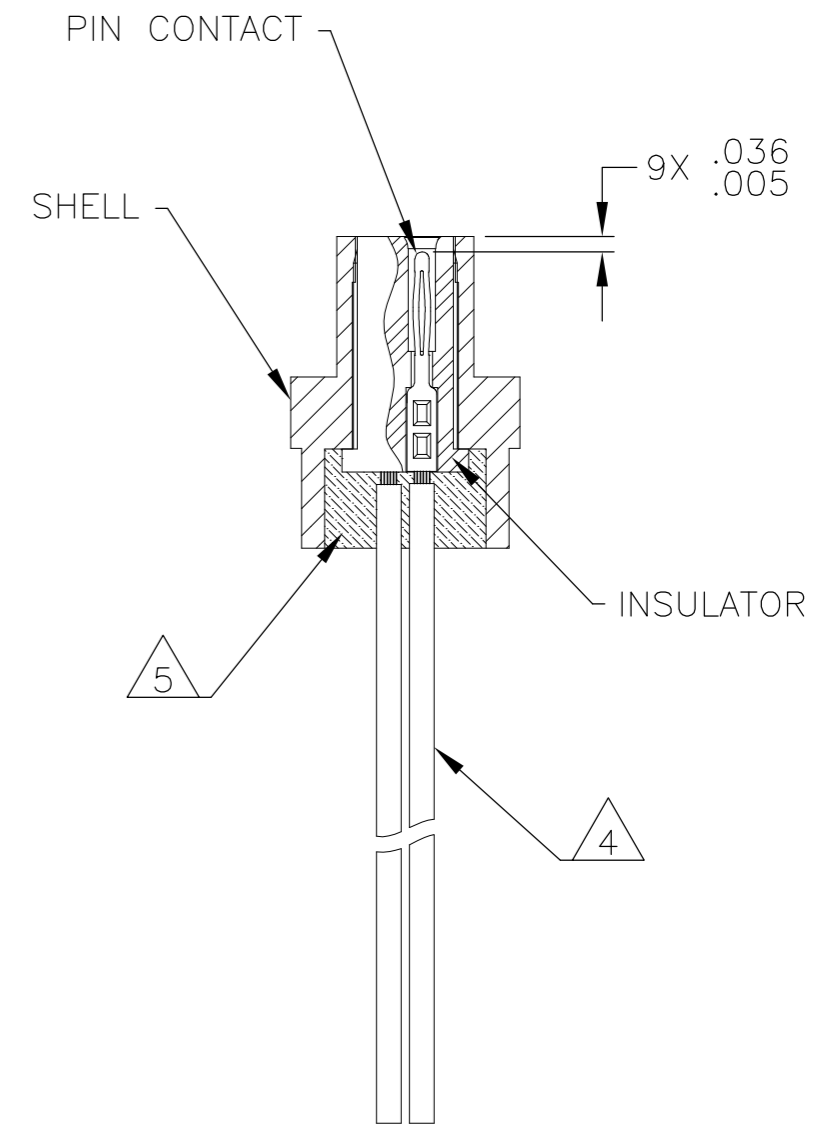
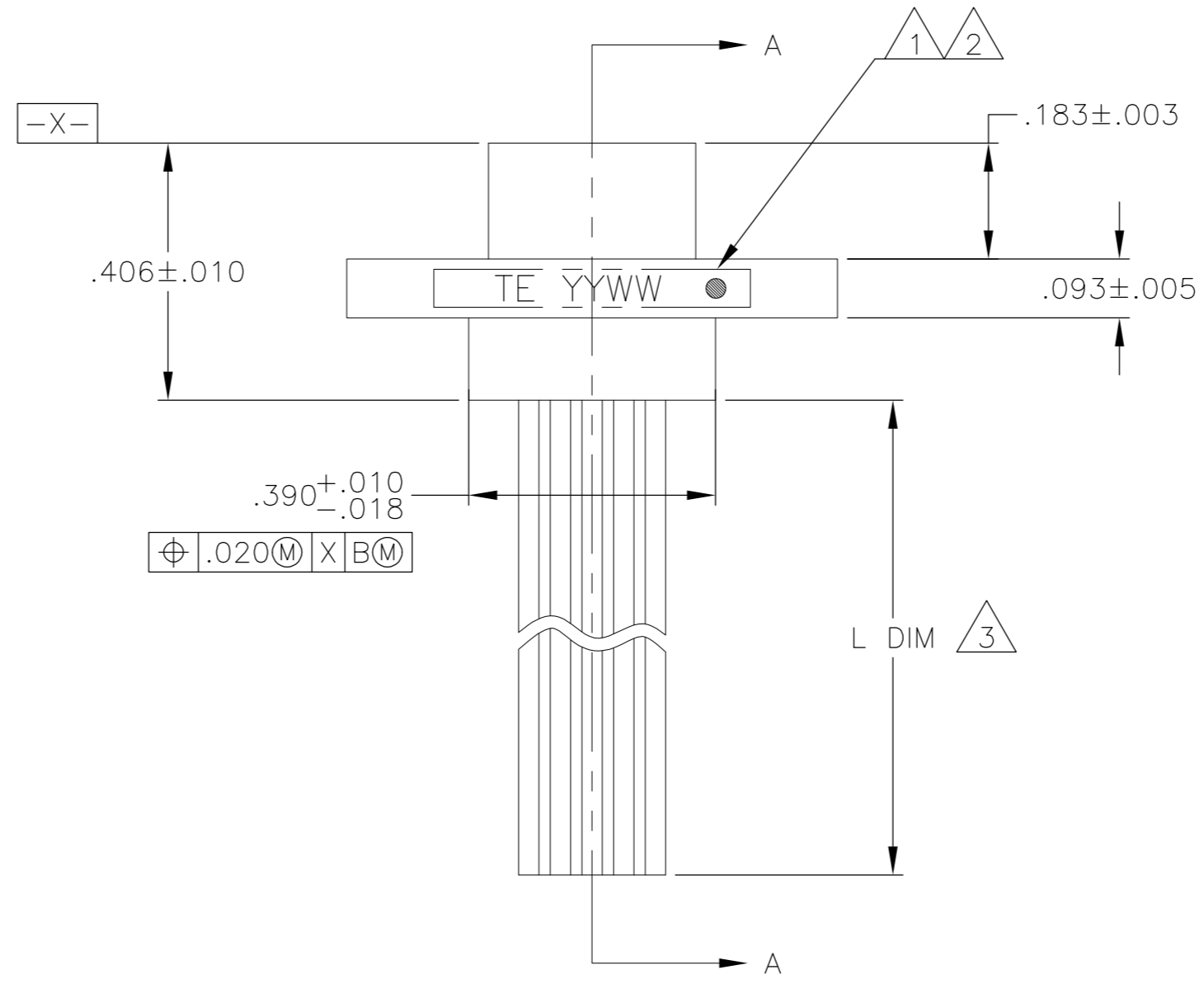
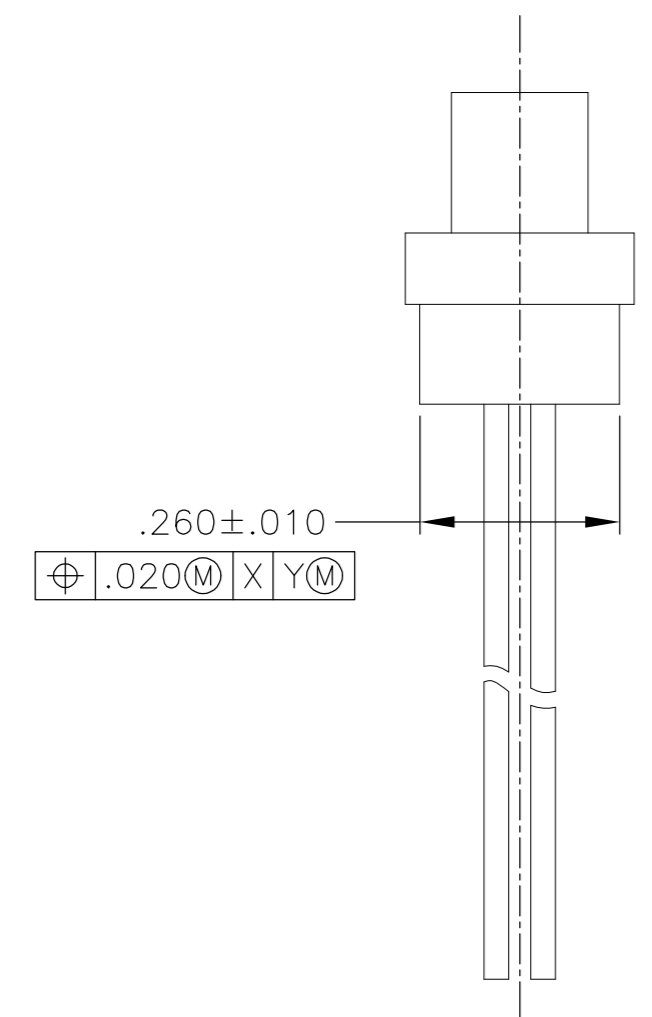
LOC	DIST	REVISIONS			
P	LTR	DESCRIPTION	DATE	DWN	APVD
A		PRODUCTION RELEASE	03 SEP 08	BJR	MKS



INTERFACE DETAIL



VIEW B-B



SECTION A-A

- 1 CONNECTOR SHALL BE MARKED IN ACCORDANCE WITH METHOD 1 OF MIL-STD-1285. MARKING SHALL CONTAIN THE MILITARY PIN, CAGE CODE (OR TE), AND DATE CODE. EXAMPLE: M83513/03-XXXX TE YYWW (WHERE XXXX IS PART OF THE PIN SHOWN IN THE "MIL-DTL-83513" COLUMN OF THE PART NUMBER TABLE, AND YYWW IS THE DATE CODE). FOR THE SIZE 9 PLUG, THE MARKING MUST BE PRINTED ON BOTH SIDES OF THE FLANGE. TEXT HEIGHT SHALL BE .035 INCH MINIMUM.
- 2 POSITION 1 SHALL BE INDICATED BY AN IDENTIFIABLE MARK, LOCATED APPROXIMATELY AS SHOWN ON THE POSITION 1 SIDE OF THE CONNECTOR FLANGE. THIS MARK SHALL BE INCLUDED AS PART OF THE PART MARKING INFORMATION.
- 3 LENGTH IS SHOWN IN THE "L DIM" COLUMN OF THE PART NUMBER TABLE. LENGTH TOLERANCE IS +1.0/-0.0 FOR INSULATED WIRE TERMINATIONS, AND +0.20/-0.00 FOR UNINSULATED WIRE TERMINATIONS
- 4 INSULATED WIRE IS SHOWN FOR REFERENCE ONLY. PART MAY BE TERMINATED WITH INSULATED OR UNINSULATED WIRE ACCORDING TO THE PART NUMBER TABLE.
- 5 EPOXY ENCAPSULATION. EPOXY MAY WICK .125 INCH MAX FOR INSULATED WIRE, AND .050 INCH MAX FOR UNINSULATED WIRE.
- 6 ALL DIMENSIONS AND REQUIREMENTS ARE PER MIL-DTL-83513/3

THIS DRAWING IS A CONTROLLED DOCUMENT.		DWN B. ROMANCHUK 03 SEP 08	Tyco Electronics Corporation Harrisburg, PA 17105-3608	
DIMENSIONS: INCHES		CHK M. STORRY 03 SEP 08	NAME PLUG ASSEMBLY, MICRO-D PER MIL-DTL-83513/03, MCKS SERIES, 9 POSITION	
TOLERANCES UNLESS OTHERWISE SPECIFIED: 0 PLC ± - 1 PLC ± - 2 PLC ± .010 3 PLC ± .005 4 PLC ± - ± 1° ANGLES ± 1°		APVD M. STORRY 03 SEP 08	PRODUCT SPEC APPLICATION SPEC	
MATERIAL SEE NOTES		FINISH -	WEIGHT -	RESTRICTED TO -
		CUSTOMER DRAWING	SCALE 4:1	SHEET 1 of 2
		SIZE A2	CAGE CODE 98278	DRAWING NO 1532179

THIS DRAWING IS UNPUBLISHED. RELEASED FOR PUBLICATION
 © COPYRIGHT BY TYCO ELECTRONICS CORPORATION. ALL INTERNATIONAL RIGHTS RESERVED.

LOC		DIST		REVISIONS			
P	LTR	DESCRIPTION	DATE	DWN	APVD		
-	-	SEE SHEET 1	-	-	-		

TE PART NUMBER	L DIM	MIL-DTL-83513 PIN	MICRODOT P/N	MCKS DESCRIPTION	3	1
1532179-1	18	M83513/03-A01N	094-6125-0001	MCKS-N1-B-9P6G1-18.0		
1532179-2	36	M83513/03-A02N	094-6125-0002	MCKS-N1-B-9P6G1-36.0		
1532179-3	18	M83513/03-A03N	094-6125-0003	MCKS-N1-B-9P6G9-18.0		
1532179-4	36	M83513/03-A04N	094-6125-0004	MCKS-N1-B-9P6G9-36.0		
1532179-5	18	M83513/03-A09N	094-6125-0009	MCKS-N1-B-9P6Q1-18.0		
1532179-6	36	M83513/03-A10N	094-6125-0010	MCKS-N1-B-9P6Q1-36.0		
1532179-7	18	M83513/03-A11N	094-6125-0011	MCKS-N1-B-9P6Q9-18.0		
1532179-8	36	M83513/03-A12N	094-6125-0012	MCKS-N1-B-9P6Q9-36.0		
1532179-9	72	M83513/03-A13N	094-6125-0013	MCKS-N1-B-9P6G1-72.0		
1-1532179-0	72	M83513/03-A14N	094-6125-0014	MCKS-N1-B-9P6G9-72.0		
1-1532179-1	72	M83513/03-A15N	094-6125-0015	MCKS-N1-B-9P6Q1-72.0		
1-1532179-2	72	M83513/03-A16N	094-6125-0016	MCKS-N1-B-9P6Q9-72.0		
1-1532179-3	0.5	M83513/03-A05N	094-6125-0005	MCKS-N1-B-9P5L4-0.5		
1-1532179-4	1.0	M83513/03-A06N	094-6125-0006	MCKS-N1-B-9P5L4-1.0		
1-1532179-5	0.5	M83513/03-A07N	094-6125-0007	MCKS-N1-B-9P5L5-0.5		
1-1532179-6	1.0	M83513/03-A08N	094-6125-0008	MCKS-N1-B-9P5L5-1.0		
1-1532179-7	18	M83513/03-A01C	094-6135-0001	MCKS-C2-B-9P6G1-18.0		
1-1532179-8	36	M83513/03-A02C	094-6135-0002	MCKS-C2-B-9P6G1-36.0		
1-1532179-9	18	M83513/03-A03C	094-6135-0003	MCKS-C2-B-9P6G9-18.0		
2-1532179-0	36	M83513/03-A04C	094-6135-0004	MCKS-C2-B-9P6G9-36.0		
2-1532179-1	0.5	M83513/03-A05C	094-6135-0005	MCKS-C2-B-9P5L4-0.5		
2-1532179-2	1.0	M83513/03-A06C	094-6135-0006	MCKS-C2-B-9P5L4-1.0		
2-1532179-3	0.5	M83513/03-A07C	094-6135-0007	MCKS-C2-B-9P5L5-0.5		
2-1532179-4	1.0	M83513/03-A08C	094-6135-0008	MCKS-C2-B-9P5L5-1.0		
2-1532179-5	18	M83513/03-A09C	094-6135-0009	MCKS-C2-B-9P6Q1-18.0		
2-1532179-6	36	M83513/03-A10C	094-6135-0010	MCKS-C2-B-9P6Q1-36.0		
2-1532179-7	18	M83513/03-A11C	094-6135-0011	MCKS-C2-B-9P6Q9-18.0		
2-1532179-8	36	M83513/03-A12C	094-6135-0012	MCKS-C2-B-9P6Q9-36.0		
2-1532179-9	72	M83513/03-A13C	094-6135-0013	MCKS-C2-B-9P6G1-72.0		
3-1532179-0	72	M83513/03-A14C	094-6135-0014	MCKS-C2-B-9P6G9-72.0		
3-1532179-1	72	M83513/03-A15C	094-6135-0015	MCKS-C2-B-9P6Q1-72.0		
3-1532179-2	72	M83513/03-A16C	094-6135-0016	MCKS-C2-B-9P6Q9-72.0		

THIS DRAWING IS A CONTROLLED DOCUMENT.		DWN B. ROMANCHUK	03 SEP 08	Tyco Electronics Corporation Harrisburg, PA 17105-3608	
DIMENSIONS: INCHES		CHK -	-	NAME M. STORRY	
TOLERANCES UNLESS OTHERWISE SPECIFIED:		APVD M. STORRY	03 SEP 08	PRODUCT SPEC	
0 PLC ± -		APPLICATION SPEC		DRAWING NO	
1 PLC ± -		WEIGHT		RESTRICTED TO	
2 PLC ± -		CUSTOMER DRAWING		SCALE 4:1 SHEET 2 of 2 REV A	
3 PLC ± -		SCALE 4:1		SHEET 2 of 2	
4 PLC ± -		SHEET 2 of 2		REV A	
ANGLES ± -		REV A		REV A	
FINISH		REV A		REV A	
SEE NOTES		REV A		REV A	

1532179