



Chipsmall Limited consists of a professional team with an average of over 10 year of expertise in the distribution of electronic components. Based in Hongkong, we have already established firm and mutual-benefit business relationships with customers from,Europe,America and south Asia,supplying obsolete and hard-to-find components to meet their specific needs.

With the principle of “Quality Parts,Customers Priority,Honest Operation,and Considerate Service”,our business mainly focus on the distribution of electronic components. Line cards we deal with include Microchip,ALPS,ROHM,Xilinx,Pulse,ON,Everlight and Freescale. Main products comprise IC,Modules,Potentiometer,IC Socket,Relay,Connector.Our parts cover such applications as commercial,industrial, and automotives areas.

We are looking forward to setting up business relationship with you and hope to provide you with the best service and solution. Let us make a better world for our industry!



Contact us

Tel: +86-755-8981 8866 Fax: +86-755-8427 6832

Email & Skype: info@chipsmall.com Web: www.chipsmall.com

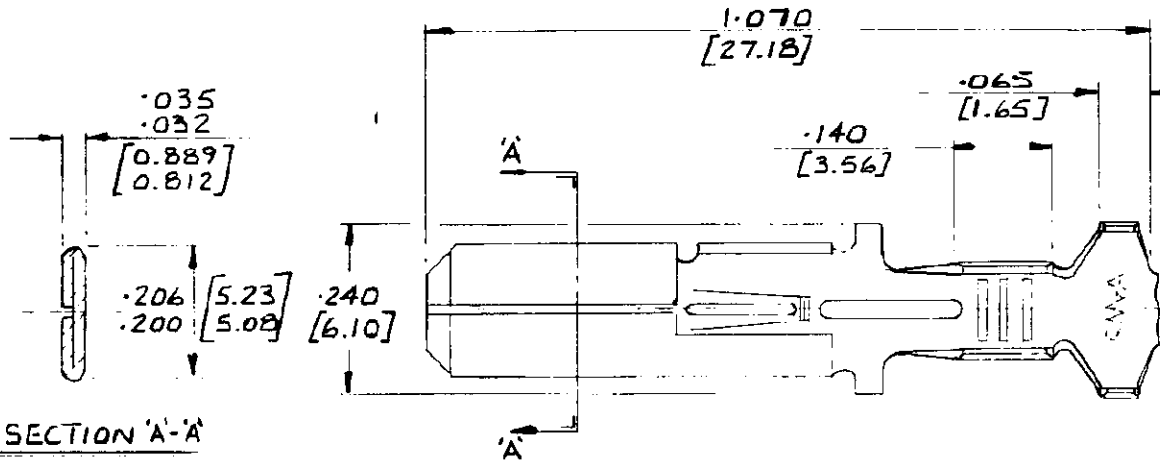
Address: A1208, Overseas Decoration Building, #122 Zhenhua RD., Futian, Shenzhen, China



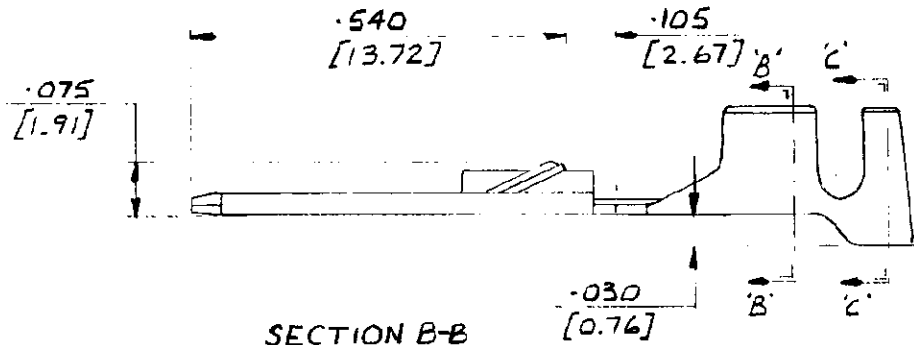
3rd ANGLE (AMERICAN) PROJECTION

DIMENSIONS IN INCHES. DO NOT SCALE PRINT
DIMENSIONS THUS [] IN MM.

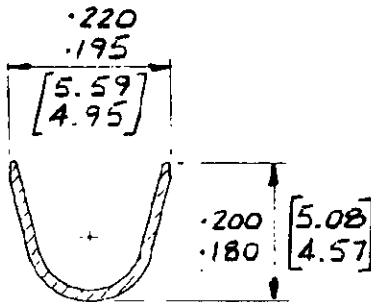
NUMBER
C-153301



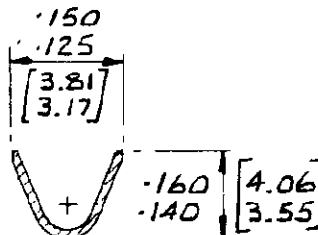
SECTION A-A



SECTION B-B



SECTION C-C



NOTE: -.094--.140 INSULATION
[2.4 - 3.56]

	1-153301-2	REVERSED REEL OF 153301-2
341209-2	153301-2	PRE-TIN
341209-1	153301-1	NONE
L.P. PART NO	PART NO	FINISH

J	TRANSITION RADIUS	DB	4376	20/1/87
H	L.P. NOS ADDED	MW		6-3-85
G	WIRE RANGE TO READ 18-19 NOTE DID READ: 100-140	CS		5-1-83
F	1-2 ADDED	KS		27/7/81
E	ALTERED PICTORIALY	CS		24/1/73
D	REDRAWN & UPDATED	ZGR		23/10/73
LTR	REVISION RECORD	DR	CHK	DATE
DR	D.C. ROSS	23/10/75	DE	23/10/75
CHK	B SMITH	23/10/75	APP	2-2-73

© AMP OF GREAT BRITAIN
LTD 1973

CUSTOMER COPY
REFERENCE ONLY

MATERIAL AND FINISH
.016 [0.41] THICK
BRASS

AMP
of Great Britain Ltd

TERMINAL HOUSE,
STANMORE,
MIDDX.

FINISH: - SEE TABLE

WIRE - RANGE - INSULATION
.065-2.08mm SEE NOTE

TOLERANCE EXCEPT
AS NOTED
± .015 [0.38] ± 1° D'

SCALE
4:1

LOC
E

NO
A

C-153301

REV
J

NAME
.203 [5.16] TAB

PRINT DIST.