



Chipsmall Limited consists of a professional team with an average of over 10 year of expertise in the distribution of electronic components. Based in Hongkong, we have already established firm and mutual-benefit business relationships with customers from,Europe,America and south Asia,supplying obsolete and hard-to-find components to meet their specific needs.

With the principle of “Quality Parts,Customers Priority,Honest Operation,and Considerate Service”,our business mainly focus on the distribution of electronic components. Line cards we deal with include Microchip,ALPS,ROHM,Xilinx,Pulse,ON,Everlight and Freescale. Main products comprise IC,Modules,Potentiometer,IC Socket,Relay,Connector.Our parts cover such applications as commercial,industrial, and automotives areas.

We are looking forward to setting up business relationship with you and hope to provide you with the best service and solution. Let us make a better world for our industry!



Contact us

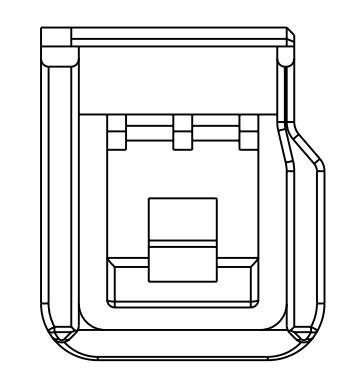
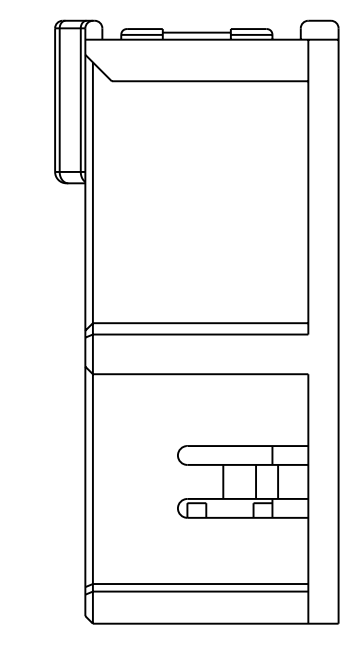
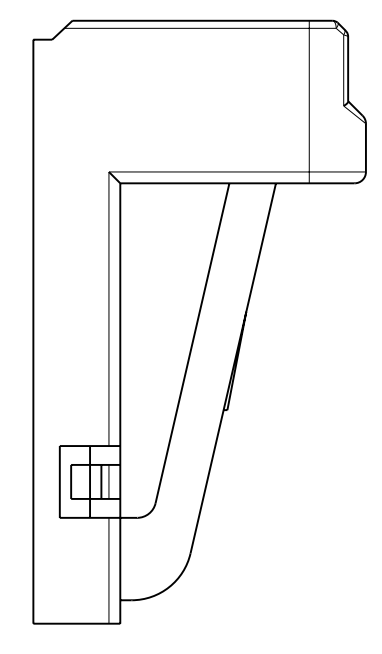
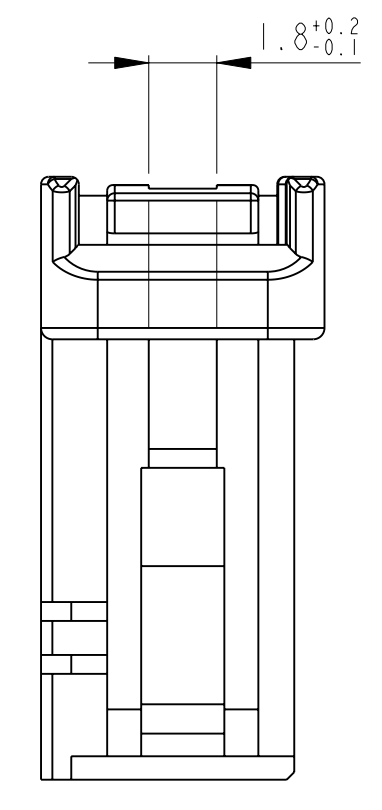
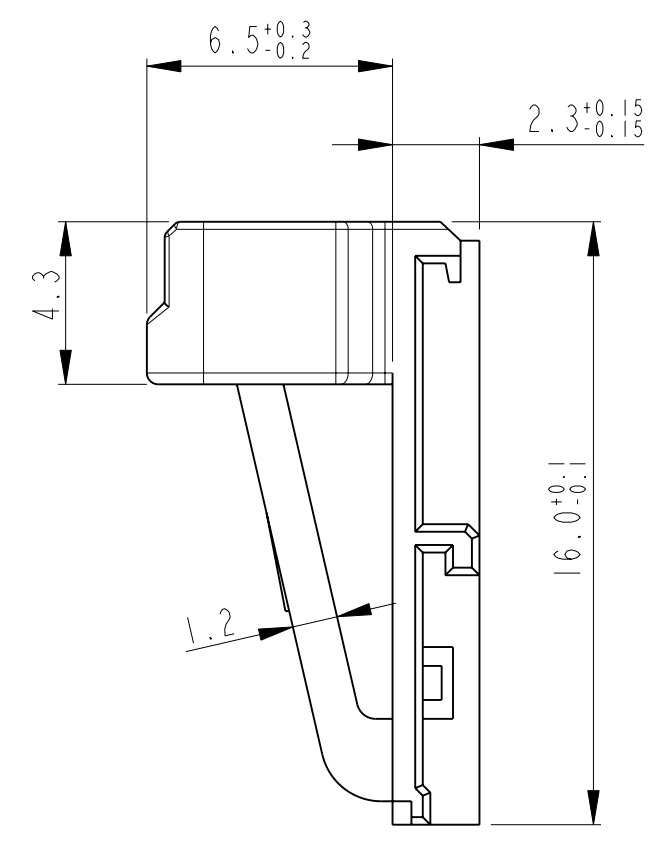
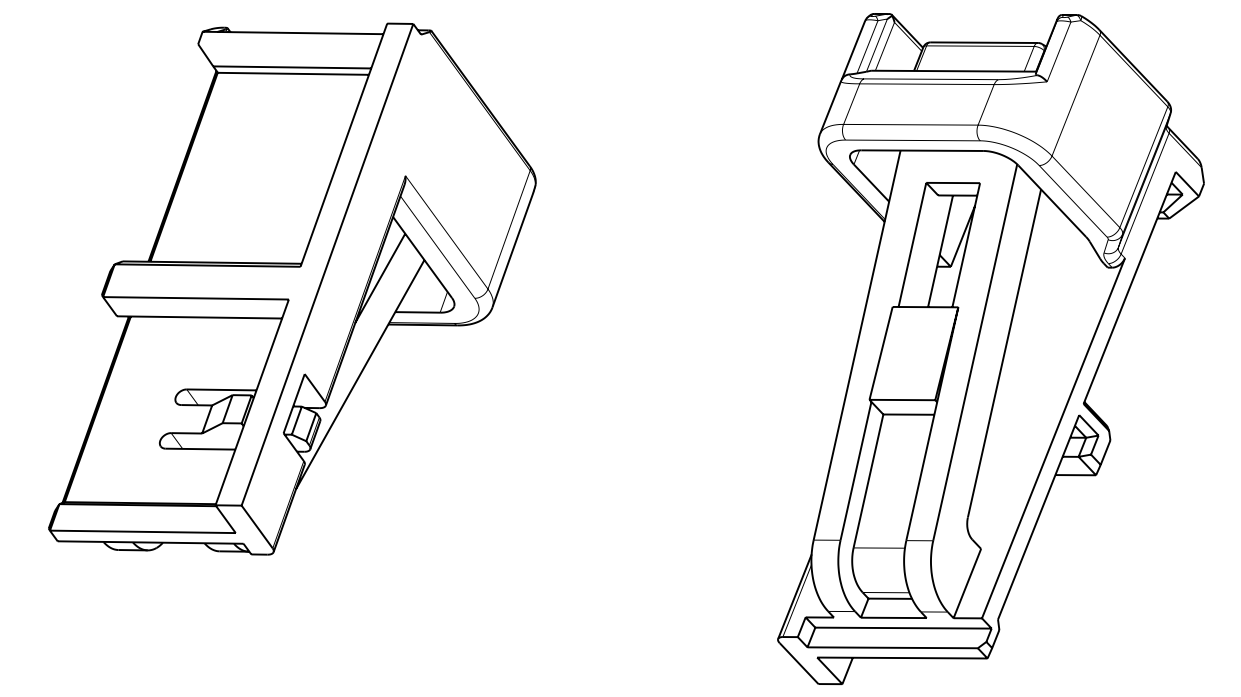
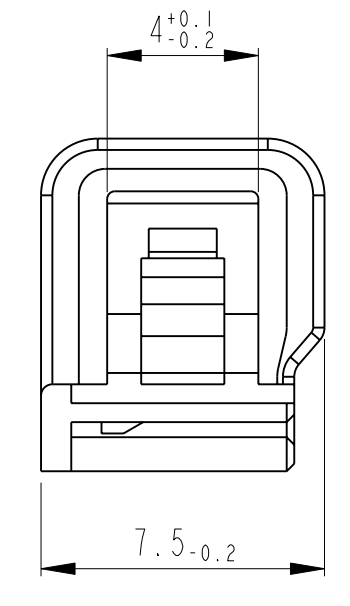
Tel: +86-755-8981 8866 Fax: +86-755-8427 6832

Email & Skype: info@chipsmall.com Web: www.chipsmall.com

Address: A1208, Overseas Decoration Building, #122 Zhenhua RD., Futian, Shenzhen, China



LOC	DIST	REV.	DATE	DWN	APVD
A1	-	A1	09JAN2002	GF	BK
		A2	22JUL2003	PS	PS
		A3	30APR2011	RK	HMR
		B1	30NOV2011	PC	MZ



Bemerkungen

- 1 Verwendet mit Buchsengehäuse 1534113
- 2 Gegenstecker nach Zeichnung 114-18489

NOTES

- 1 USED WITH REC.HSG. 1534113
- 2 MATING PART EXECUTION ACC. TO DRAWING 114-18489

1534112-1	B	1	1	PBT-GF10	BLACK/ schwarz	RETAINER/ Verriegelung
Teil-Nr. PART no.	REV.	STK. QTY.	POS.	MATERIAL	Oberfläche/ Farbe SURFACE/ COLOUR	Benennung DESCRIPTION

THIS DRAWING IS A CONTROLLED DOCUMENT. DIESES ZEICHNUNGSDOKUMENT WIRD DURCH AMP INCORPORATED KONTROLLIERT. ANMERKUNG: DIE AMP-TECHNISCHEN DATEN SIND NUR FÜR DEN ZWECK DER VERWENDUNG IN DEN AMP-GERÄTEN GEGÜLTIGT.		DWN S. Fischer 09JAN02	NAME STE TE Connectivity
DIMENSIONS: MASSEINHEITEN: mm		CHK B. Kirsch 09JAN02	APVD
TOLERANCES, UNLESS OTHERWISE SPECIFIED: 1. PLC ±0.15 2. PLC ±0.15 3. PLC ±0.15 4. PLC ±0.15		PRODUCT SPEC PRODUKTSPEZ.	RETAINER, 2 POSN., REC.HSG., MOS Verriegelung, 2 pol., Buchsengeh., MOS
MATERIAL		APPLICATION SPEC. VERARBEITUNGSSPEZ.	SIZE CAGE CODE DRAWING NO. A1 00779 1534112
FINISH/OBERFLÄCHE/FARBE		WEIGHT GEWICHT	RESTRICTED TO NUR FÜR
		CUSTOMER DRAWING	SCALE 5:1 SHEET 1 OF 1 REV B1