



Chipsmall Limited consists of a professional team with an average of over 10 year of expertise in the distribution of electronic components. Based in Hongkong, we have already established firm and mutual-benefit business relationships with customers from,Europe,America and south Asia,supplying obsolete and hard-to-find components to meet their specific needs.

With the principle of “Quality Parts,Customers Priority,Honest Operation,and Considerate Service”,our business mainly focus on the distribution of electronic components. Line cards we deal with include Microchip,ALPS,ROHM,Xilinx,Pulse,ON,Everlight and Freescale. Main products comprise IC,Modules,Potentiometer,IC Socket,Relay,Connector.Our parts cover such applications as commercial,industrial, and automotives areas.

We are looking forward to setting up business relationship with you and hope to provide you with the best service and solution. Let us make a better world for our industry!



Contact us

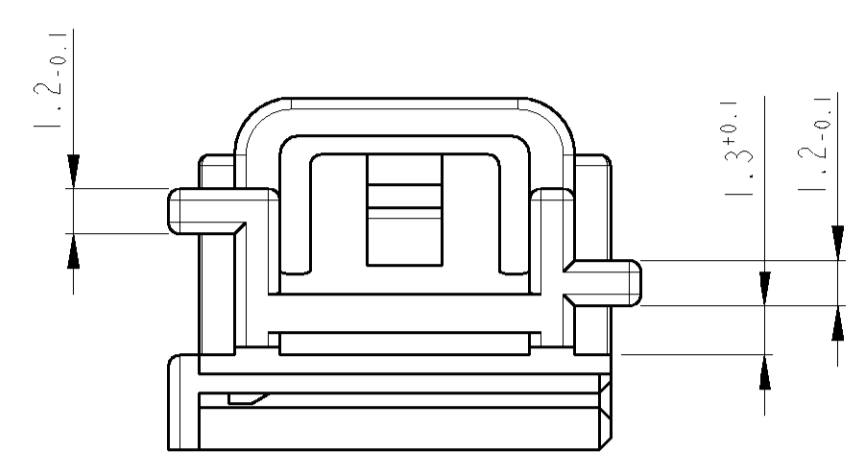
Tel: +86-755-8981 8866 Fax: +86-755-8427 6832

Email & Skype: info@chipsmall.com Web: www.chipsmall.com

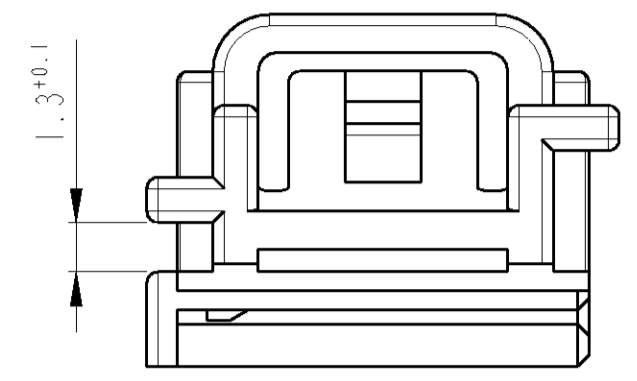
Address: A1208, Overseas Decoration Building, #122 Zhenhua RD., Futian, Shenzhen, China



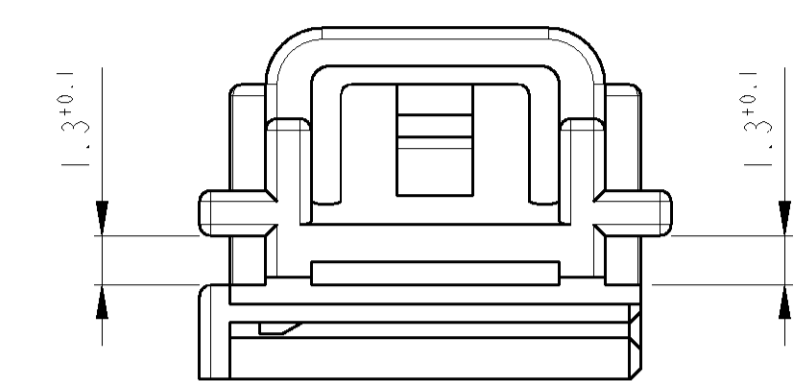
LOC	DIST	REV	DATE	DWN	APVD
A1	-	1	04MAR02	GF	BK
A2	-	2	11JUL2002	GF	BL



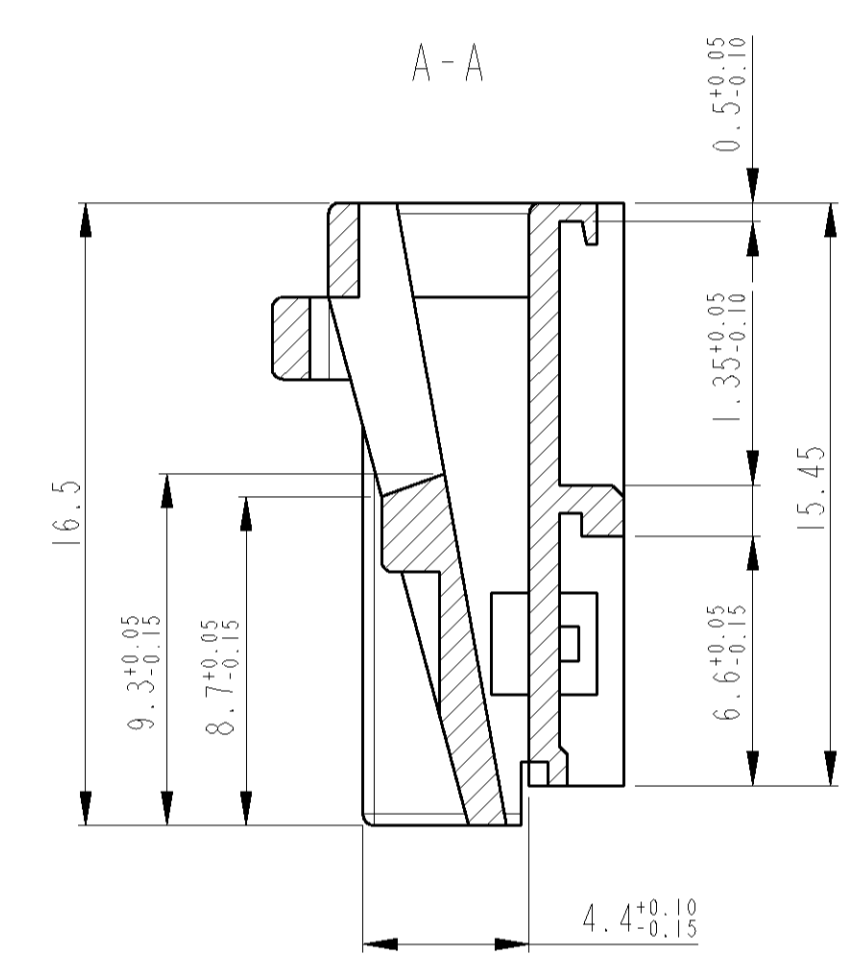
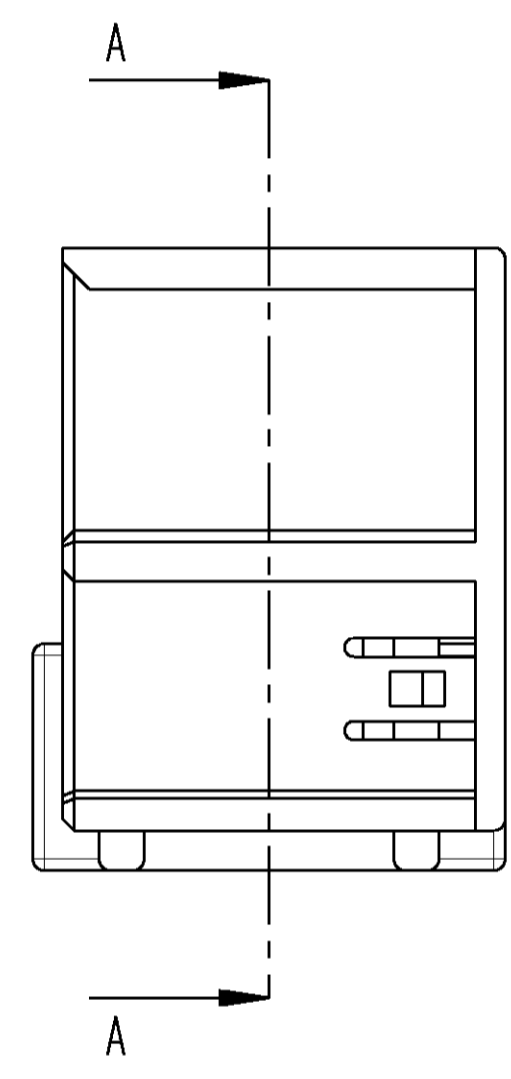
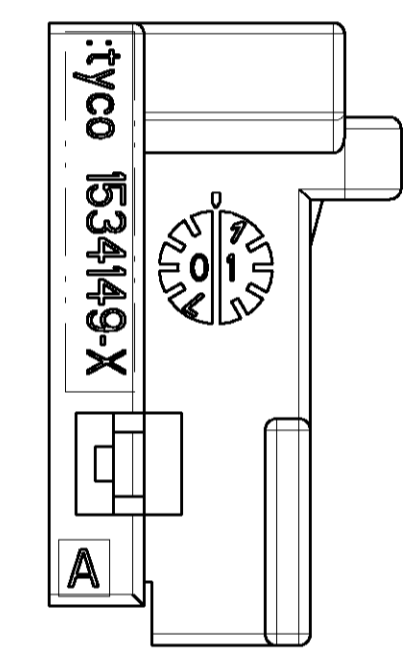
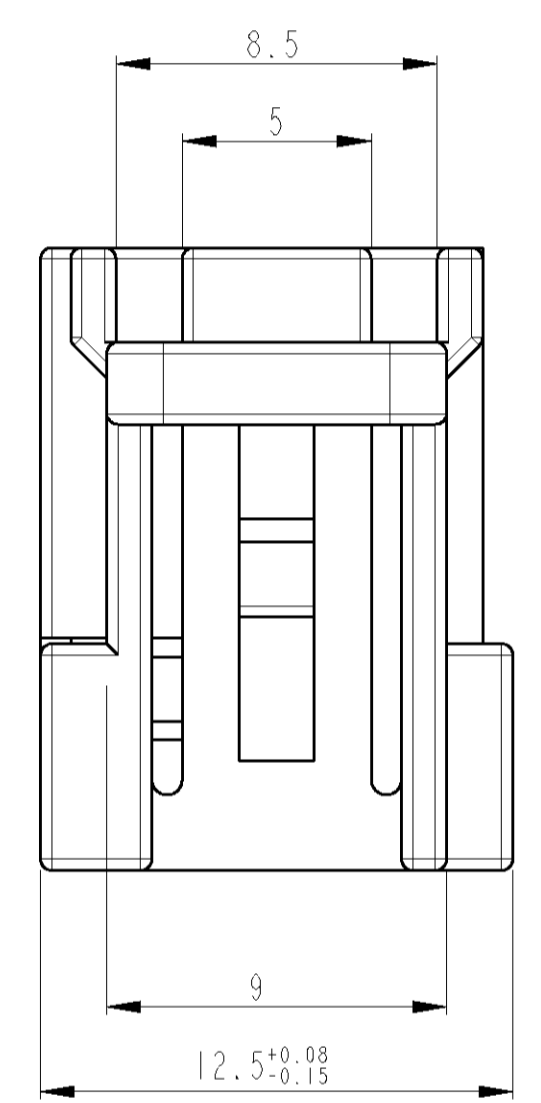
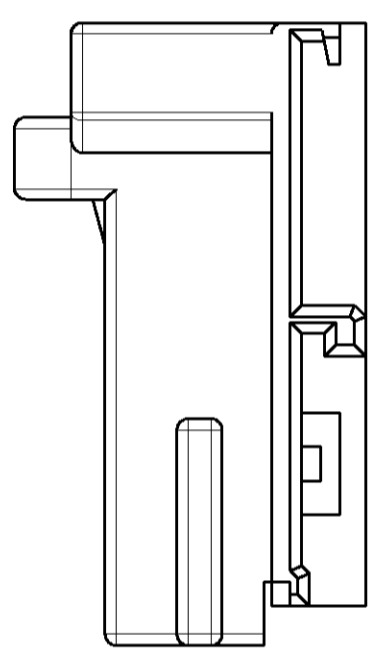
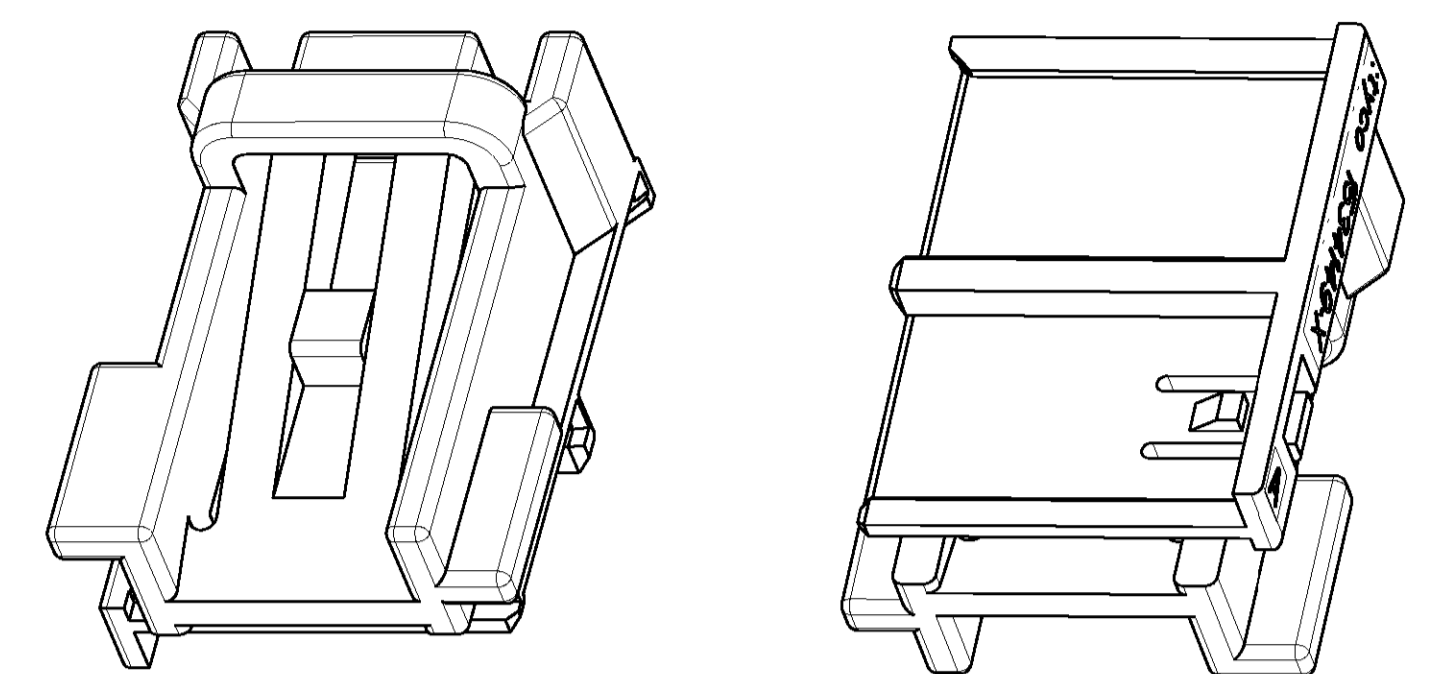
COD A



COD B



COD C

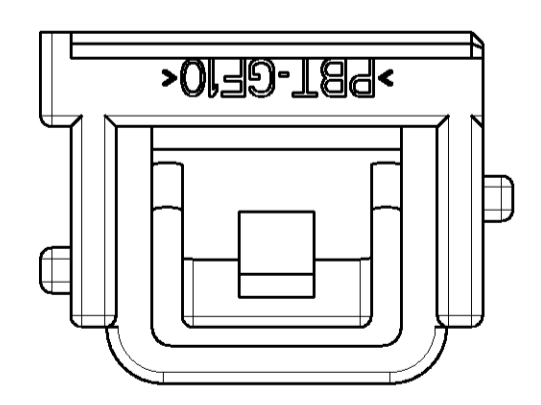


Bemerkungen

- Verwendet mit Buchsengehaeuse 1534150
- Gegenstecker nach Zeichnung 114-18491

NOTES

- USED WITH REC.HSG. 1534150
- MATING PART EXECUTION ACC. TO DRAWING 114-18491



ORDER-NO. Bestell-Nr.	REV.	COD.	QTY.	ITEM NO.	MATERIAL	COLOUR FARBE	DESCRIPTION Benennung
0-1534149-3	A	C	1	2	PBT-GF10	RED/rot	RETAINER/ Verriegelung
0-1534149-2	A	B	1	2	PBT-GF10	BROWN/braun	RETAINER/ Verriegelung
0-1534149-1	A	A	1	2	PBT-GF10	BLACK/schwarz	RETAINER/ Verriegelung

DWN: G. Fischer ENK: B. Kirsch		D4MAR02 D4MAR02		tyco Electronics AMP GmbH D - 64625 Bensheim	
NAME: RETAINER, REC.HSG., 4 POSN., MQS Verriegelung, Bu.-geh., 4 pol., MQS		PRODUCT SPEC: - APPLICATION SPEC: -		SIZE: A1 CAGE CODE: 00779 DRAWING NO.: 1534149	
MATERIAL: - FINISH/OBERFLAEHE/FARBE: -		WEIGHT: - GEWICHT: -		RESTRICTED TO: - NUR FÜR: -	
CUSTOMER DRAWING		/KUNDENZEICHNUNG		SCALE: 5:1 SHEET: 1 OF 1 REV: A2	